

Installation Guide

Hardware Overview

[S412 Overview](#)

[S412 Lite Overview](#)

[S20 Overview](#)

[S50 Overview](#)

[S100 Overview](#)

[S300 Overview](#)

[Expansion Board](#)

Install PBX

[Connect Your PBX](#)

Getting Started Guide

Admin Guide

Security Guide

Compatible SIP Endpoints

Solution & Interoperability

Auto Provisioning

Yeastar Linkus

Conference Panel

LDAP Server

QueueMetrics Integration

Hotel

Billing

char utile h+ Integration

VPN Server

Zoho Integration Guide

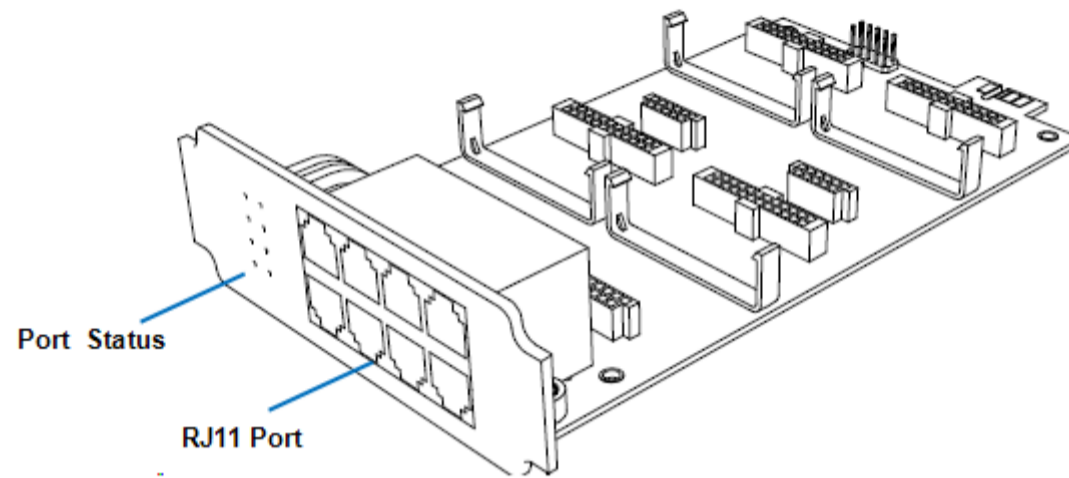
References

- S100 supports up to 2 EX08/EX30 Expansion Boards; supports 1 D30 Module.
- S300 supports up to 3 EX08/EX30 Expansion Boards; supports up to 2 D30 Modules.

Note: S300 V4.0 supports 2 EX08/EX30 Expansion Boards; supports up to 2 D30 Modules.

EX08 Expansion Board

EX08 board supports up to 4 modules (8 RJ11 ports).

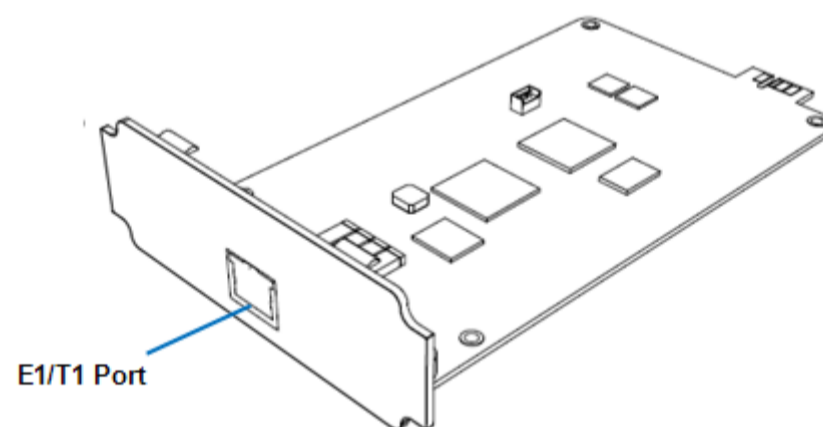


Optional modules on EX08 board

- O2 Module
- S2 Module
- SO Module
- B2 Module
- GSM/3G/4G Module

EX30 Expansion Board

EX30 board supports 1 E1/T1 port.



D30 Module

D30 is a DSP module, used to expand the capacity of PBX. With a D30 module added, the extensions increase 100 and concurrent calls increase 30 additionally.

