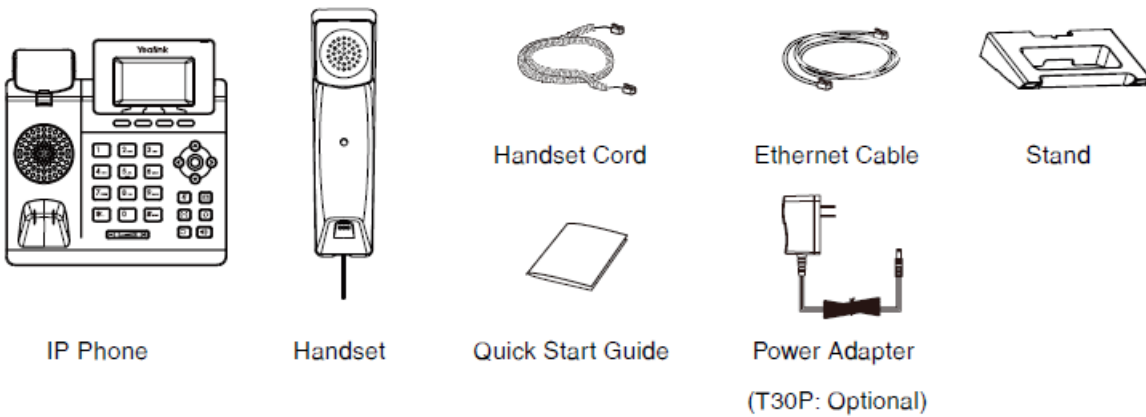


# SIP-T30/T30P

## Package Contents

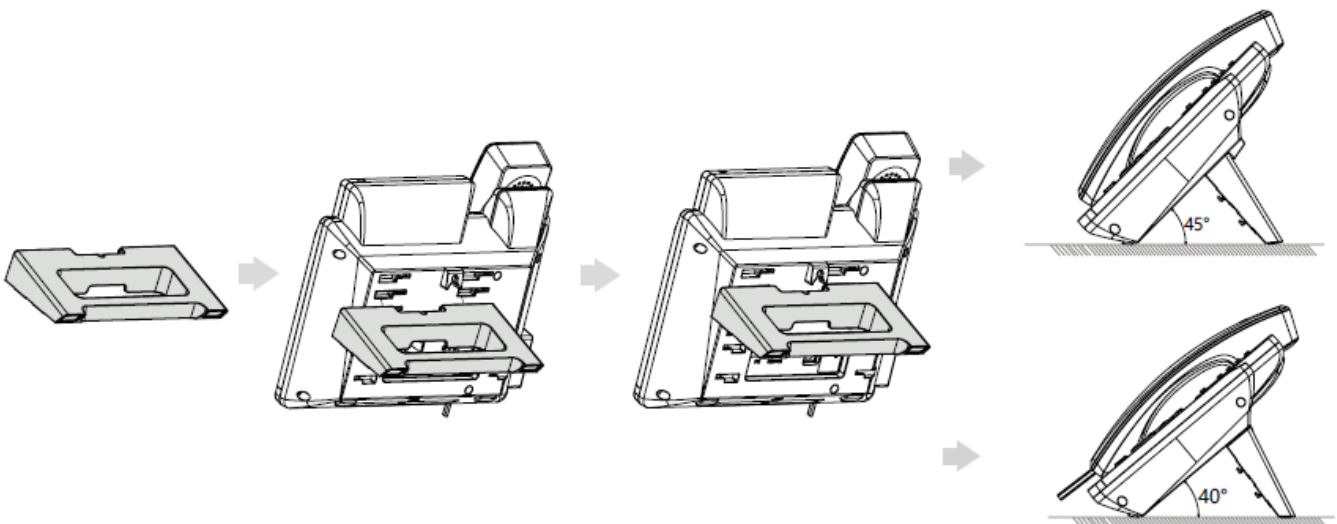
The following items are included in your package. If you find anything missing, contact your system administrator.



**TIP**  
 We recommend that you use the accessories provided or approved by Yealink. The unapproved third-party accessories may result in reduced performance.

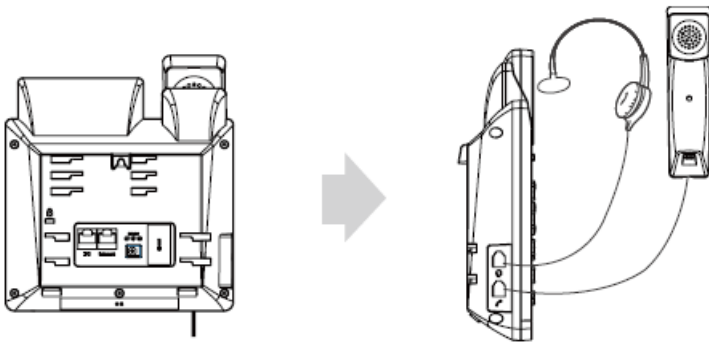
## Assemble Phone

1. Attach the stand.



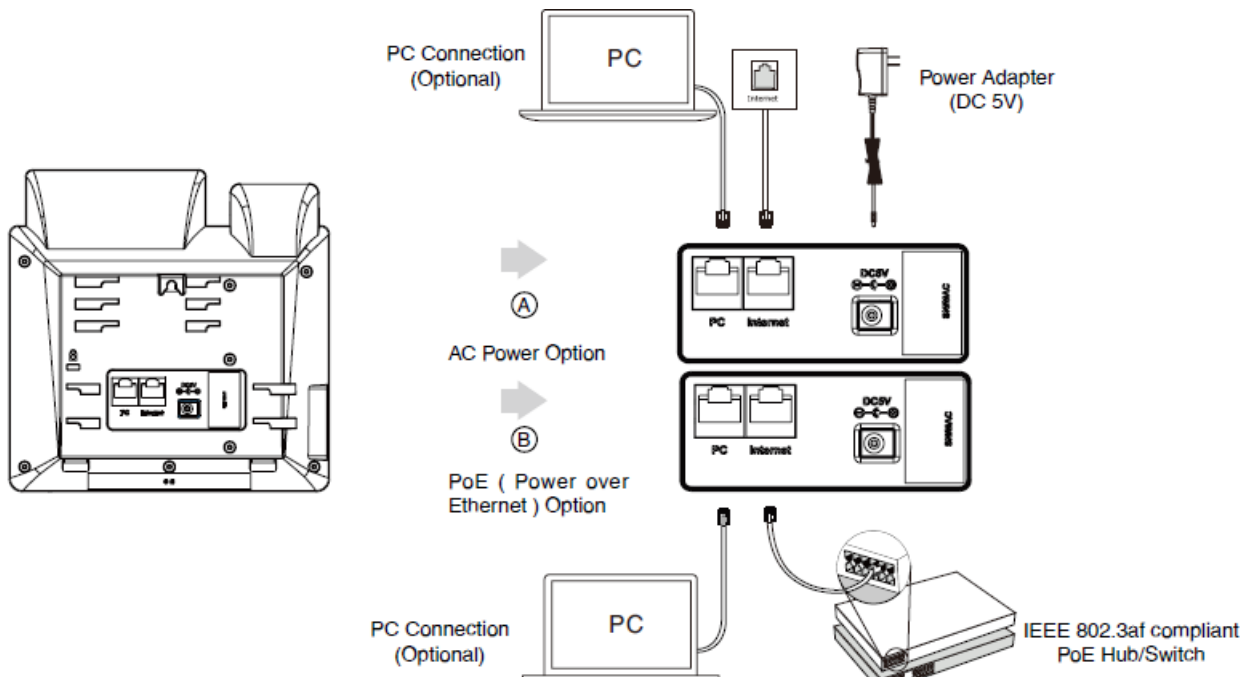
You can also mount the phone to a wall.

2. Connect the handset and optional headset.



3. Connect the network and power.

You have two options for network and power connections. Your system administrator will advise you which one to use.



**NOTE**

- The IP phone should be used with Yealink's original power adapter (5V/2A) only. The use of the third-party power adapter may cause damage to the phone. If you are connecting a PC to your phone, we recommend using the Ethernet cable provided by Yealink.
- If inline power (PoE) is provided, you don't need to connect the power adapter. Make sure the hub/switch is PoE-compliant.