

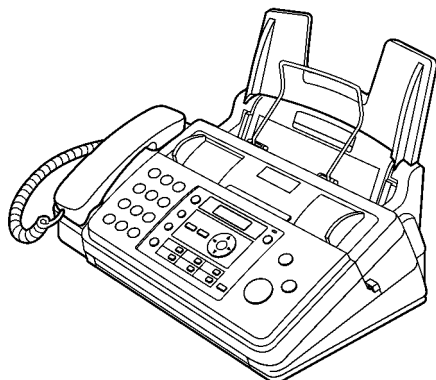
Service Manual

Plain Paper Fax with Copier

KX-FP701CX

KX-FP702CX


(for Asia and Middle Near East)



WARNING

This service information is designed for experienced repair technicians only and is not designed for use by the general public. It does not contain warnings or cautions to advise non-technical individuals of potential dangers in attempting to service a product. Products powered by electricity should be serviced or repaired only by experienced professional technicians. Any attempt to service or repair the product or products dealt with in this service information by anyone else could result in serious injury or death.

IMPORTANT SAFETY NOTICE

There are special components used in this equipment which are important for safety. These parts are marked by  in the Schematic Diagrams, Circuit Board Diagrams, Exploded Views and Replacements Parts List. It is essential that these critical parts should be replaced with manufacturer's specified parts to prevent shock, fire or other hazards. Do not modify the original design without permission of manufacturer.

IMPORTANT INFORMATION ABOUT LEAD FREE, (PbF), SOLDERING

If lead free solder was used in the manufacture of this product the printed circuit boards will be marked PbF. Standard leaded, (Pb), solder can be used as usual on boards without the PbF mark.

When this mark does appear please read and follow the special instructions described in this manual on the use of PbF and how it might be permissible to use Pb solder during service and repair work.

When you note the serial number, write down all 11 digits. The serial number may be found on the bottom of the unit.

TABLE OF CONTENTS

	PAGE		PAGE
1 Safety Precautions	3	15.3. Jams	159
1.1. For Service Technicians	3	15.4. Cleaning	161
1.2. AC Caution	3	16 Miscellaneous	164
1.3. Personal Safety Precautions	4	16.1. Terminal Guide of the ICs Transistors and	
1.4. Service Precautions	5	Diodes	164
2 Warning	6	16.2. How to Replace the Flat Package IC	166
2.1. About Lead Free Solder (PbF: Pb free)	6	16.3. Test Chart	168
2.2. Insulation Resistance Test	7	17 Schematic Diagram	172
2.3. Battery Caution	7	17.1. Digital Board (PCB1)	172
3 Specifications	8	17.2. Analog Board (PCB2)	176
4 General/Introduction	9	17.3. Operation Board (PCB3)	178
4.1. Optional Accessories	9	17.4. Power Supply Board (PCB4)	179
5 Features	9	17.5. Interface Board (PCB5)	180
6 Technical Descriptions	10	17.6. Sensor Board (PCB6)	181
6.1. Connection Diagram	10	18 Printed Circuit Board	183
6.2. General Block Diagram	11	18.1. Digital Board (PCB1)	183
6.3. Control Section	13	18.2. Analog Board (PCB2)	185
6.4. Facsimile Section	22	18.3. Operation Board (PCB3)	187
6.5. Sensors and Switches	31	18.4. Power Supply Board (PCB4)	189
6.6. Modem Section	35	18.5. Interface Board (PCB5)	191
6.7. NCU Section	42	18.6. Sensor Board (PCB6)	193
6.8. ITS (Integrated telephone System) and		19 Appendix Information of Schematic Diagram	194
Monitor Section	45	20 Exploded View and Replacement Parts List	195
6.9. Operation Board Section	47	20.1. Cabinet, Mechanical and Electrical Parts	
6.10. LCD Section	48	Location	195
6.11. Power Supply Board Section	49	20.2. Replacement Parts List	204
7 Location of Controls and Components	52		
7.1. Overview	52		
7.2. Control Panel	52		
8 Installation Instructions	53		
8.1. Installation Space	53		
8.2. Connections	54		
8.3. Installing the Ink Film	55		
8.4. Installing the Paper Tray	56		
8.5. Paper Support	57		
8.6. Installing the Recording Paper	57		
9 Operation Instructions	58		
9.1. Setting Your Logo	58		
10 Test Mode	60		
10.1. DTMF Signal Tone Transmit Selection	61		
10.2. Button Code Table	62		
10.3. Print Test Pattern	63		
11 Service Mode	64		
11.1. Programing and Lists	64		
11.2. The Example of the Printed List	68		
12 Troubleshooting Guide	73		
12.1. Troubleshooting Summary	73		
12.2. Error Messages-Display	74		
12.3. Error Messages-Report	76		
12.4. Remote Programming	98		
12.5. Troubleshooting Details	101		
13 Service Fixture & Tools	134		
14 Disassembly and Assembly Instructions	135		
14.1. DISASSEMBLY FLOW CHART	135		
14.2. DISASSEMBLY PROCEDURE	137		
15 Maintenance	152		
15.1. Maintenance Items and Component Locations	152		
15.2. GEAR SECTION	154		

1 Safety Precautions

1. Before servicing, unplug the AC power cord to prevent an electric shock.
2. When replacing parts, use only the manufacturer's recommended components.
3. Check the condition of the power cord. Replace if wear or damage is evident.
4. After servicing, be sure to restore the lead dress, insulation barriers, insulation papers, shields, etc.
5. Before returning the serviced equipment to the customer, be sure to perform the following insulation resistance test to prevent the customer from being exposed to shock hazards.

1.1. For Service Technicians

ICs and LSIs are vulnerable to static electricity.

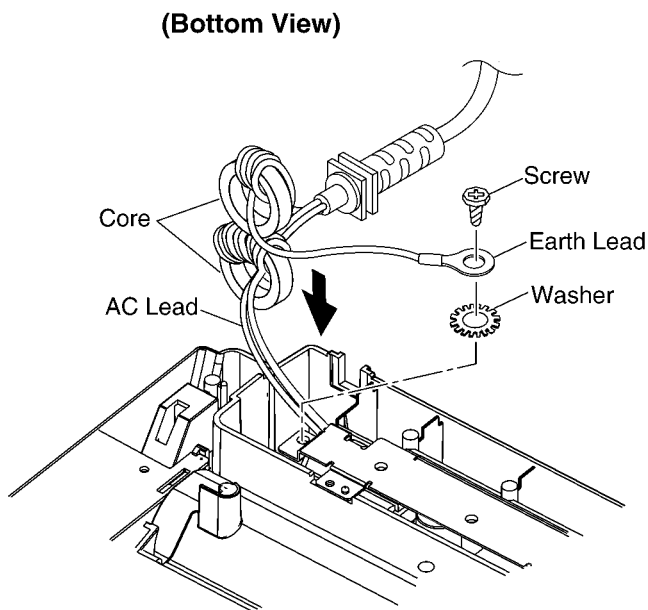
When repairing, the following precautions will help prevent recurring malfunctions.

1. Cover the plastic part's boxes with aluminum foil.
2. Ground the soldering irons.
3. Use a conductive mat on the worktable.
4. Do not touch the IC or LSI pins with bare fingers.

1.2. AC Caution

For safety, before closing the lower cabinet, please make sure of the following precautions.

1. The earth lead is fixed with the screw.
2. The AC lead is connected properly to power supply board.
3. Wrap the earth lead around the core 5 times.
4. Wrap the AC lead around the core 5 times.

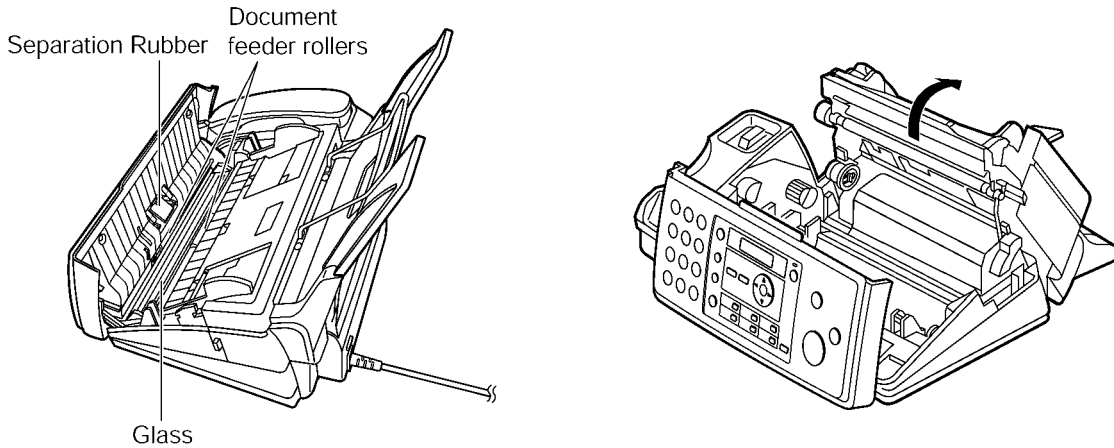


1.3. Personal Safety Precautions

1.3.1. Moving Sections of the Unit

Be careful not to let your hair, clothes, fingers, accessories, etc., become caught in any moving sections of the unit.

The moving sections of the unit are the rollers and a gear. There is a separation roller and a document feed roller which are rotated by the document feed motor. A gear rotates the two rollers. Be careful not to touch them with your hands, especially when the unit is operating.



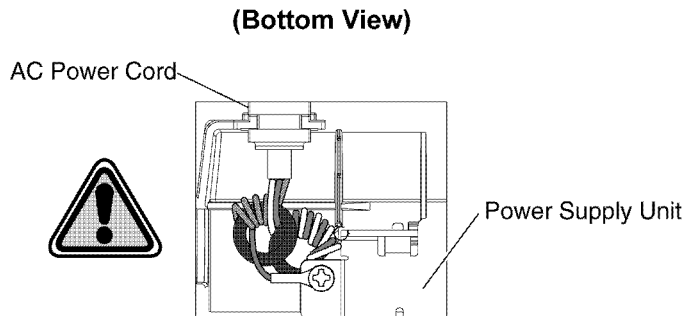
1.3.2. Live Electrical Sections

All the electrical sections of the unit supplied with AC power by the AC power cord are live.

Never disassemble the unit for service with the AC power supply plugged in.

CAUTION:

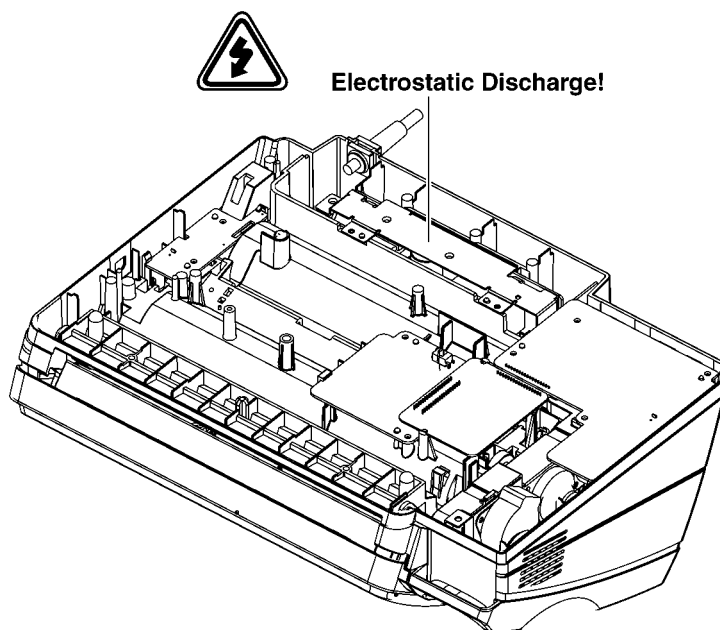
AC voltage is supplied to the primary side of the power supply unit. Therefore, always unplug the AC power cord before disassembling for service.



1.4. Service Precautions

1.4.1. Precautions to Prevent Damage from static Electricity

Electrical charges accumulate on a person. For instance, clothes rubbing together can damage electric elements or change their electrical characteristics. In order to prevent static electricity, touch a metallic part that is grounded to release the static electricity. Never touch the electrical sections such as the power supply unit, etc.



2 Warning

2.1. About Lead Free Solder (PbF: Pb free)

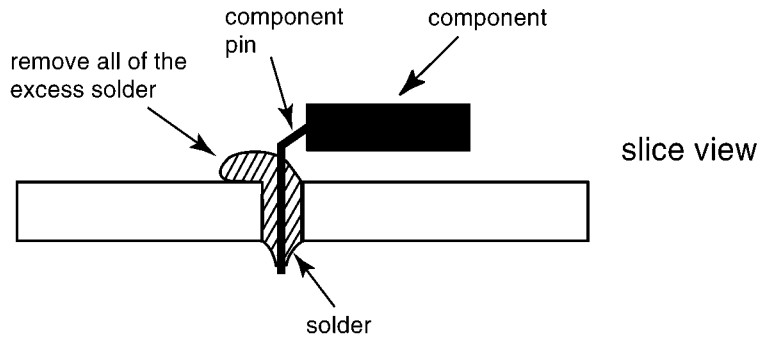
Note:
 In the information below, Pb, the symbol for lead in the periodic table of elements, will refer to standard solder or solder that contains lead.

We will use PbF solder when discussing the lead free solder used in our manufacturing process which is made from Tin, (Sn), Silver, (Ag), and Copper, (Cu).

This model, and others like it, manufactured using lead free solder will have PbF stamped on the PCB. For service and repair work we suggest using the same type of solder.

Caution

- PbF solder has a melting point that is 50° ~ 70° F, (30° ~ 40°C) higher than Pb solder. Please use a soldering iron with temperature control and adjust it to 700° ± 20° F, (370° ± 10°C).
- Exercise care while using higher temperature soldering irons.: Do not heat the PCB for too long time in order to prevent solder splash or damage to the PCB.
- PbF solder will tend to splash if it is heated much higher than its melting point, approximately 1100°F, (600°C).
- When applying PbF solder to double layered boards, please check the component side for excess which may flow onto the opposite side (See figure, below).



2.1.1. Suggested PbF Solder

There are several types of PbF solder available commercially. While this product is manufactured using Tin, Silver, and Copper, (Sn+Ag+Cu), you can also use Tin and Copper, (Sn+Cu), or Tin, Zinc, and Bismuth, (Sn+Zn+Bi). Please check the manufacturer's specific instructions for the melting points of their products and any precautions for using their product with other materials.

The following lead free (PbF) solder wire sizes are recommended for service of this product: 0.3mm, 0.6mm and 1.0mm.

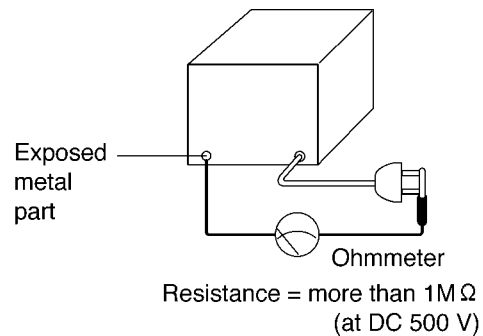
0.3mm X 100g	0.6mm X 100g	1.0mm X 100g

2.2. Insulation Resistance Test

1. Unplug the power cord and short the two prongs of the plug with a jumper wire.
2. Turn on the power switch.
3. Measure the resistance value with an ohmmeter between the jumpered AC plug and each exposed metal cabinet part (screw heads, control shafts, bottom frame, etc.).

Note: Some exposed parts may be isolated from the chassis by design. These will read infinity.

4. If the measurement is outside the specified limits, there is a possibility of a shock hazard.



2.3. Battery Caution

Danger of explosion if battery is incorrectly replaced. Replace only with the same or equivalent type recommended by the manufacturer. Dispose of used batteries according to the manufacturer's instruction.

CAUTION:

The lithium battery is a critical component (type No. CR2032). Please observe for the proper polarity and the exact location when replacing it and soldering the replacement lithium battery in.

3 Specifications

Any details given in these instructions are subject to change without notice.

Applicable Lines:	Public Switched Telephone Network
Document Size:	Max. 216 mm in width, Max. 600 mm in length
Effective Scanning Width:	208 mm
Recording Paper Size:	A4: 210 mm × 297 mm Letter: 216 mm × 279 mm
Effective Printing Width:	A4: 202 mm Letter: 208 mm
Recording Paper Weight:	60 g/m ² to 90 g/m ² (KX-FP701CX) 64 g/m ² to 80 g/m ² (KX-FP702CX)
Transmission Speed*¹ :	Approx. 12 s/page (ECM-MMR)* ²
Scanning Density:	Horizontal: 8 pels/mm Vertical: 3.85 lines/mm (standard resolution) 7.7 lines/mm (fine/photo resolution) 15.4 lines/mm (super fine resolution)
Photo Resolution:	64 levels
Scanner Type:	Contact Image Sensor
Printer Type:	Thermal Transfer on plain paper
Data Compression System:	Modified Huffman (MH), Modified READ (MR), Modified Modified READ (MMR)
Modem Speed:	9,600 / 7,200 / 4,800 / 2,400 bps; Automatic Fallback
Operating Environment:	5—35°C, 20—80 % RH (Relative Humidity)
Dimensions:	Approx. height 185 mm × width 355 mm × depth 272 mm
Mass (Weight):	Approx. 3.5 kg
Power Consumption:	Standby: Approx. 1.5 W Transmission: Approx. 12 W Reception: Approx. 30 W (When receiving a 20% black document) Copy: Approx. 40 W (When copying a 20% black document) Maximum: Approx. 135 W (When copying a 100% black document)
Power Supply:	220 V - 240 V AC, 50/60 Hz
Fax Memory Capacity*³:	Transmission: Approx. 25 pages Reception: Approx. 28 pages (Based on the ITU-T No. 1 Test Chart in standard resolution, without using the Error Correction Mode.)

*¹ Transmission speed depends on the contents of the pages, resolution, telephone line conditions and capability of the other party's machine.

*² Transmission speed is based on the ITU-T No. 1 Test Chart with original mode. If the capability of the other party's machine is inferior to your unit, the transmission time may be longer. (Refer to **16.3.1.ITU-T No.1 Test chart** (P.168).)

*³ If an error occurs during fax reception, such as a paper jam or if the recording paper runs out, the fax and subsequent faxes will be retained in memory.

4 General/Introduction

4.1. Optional Accessories

Model No.	Description	Specification
KX-FA57A or KX-FA57E	Replacement Film ^{*1}	70 m × 1 rolls (Prints about 210 A4-sized pages)

^{*1} To ensure the unit operates properly, we recommend using the Panasonic replacement film.

The ink film is not reusable. Do not rewind and use the ink film again.

5 Features

General

- LCD (Liquid Crystal Display) readout

Plain Paper Facsimile Machine

- 12 second transmission speed*
- A4, Letter, G3 compatible
- Automatic document feeder (up to 10 sheets)
- Quick scan
- Resolution: Standard/Fine/Super fine/Photo (64 level)
- Broadcast
- 50-sheet recording paper capacity
- Automatic fax/phone switching
- Distinctive ring detection **

* The 12 second speed is based upon the ITU-T No. 1 Test Chart on the condition that memory transmission is performed.

** Subscription to distinctive ring services is required.

Large Memory... Performed by DRAM

Approx. 28 pages of memory reception

Approx. 25 pages of memory transmission

Integrated Telephone System

- On-hook dialing
- Voice muting
- Redialing function
- 106-station telephone directory with Phonebook
- Caller ID service

This unit is compatible with the Caller ID service offered by your local telephone company. To use this unit's Caller ID features, you must subscribe to Caller ID service.

Important:

- This unit is designed in accordance with the ETS (European Telecommunication Standard) and only supports the basic CLIP (Calling Line Identification Presentation) features.
- This unit will only display the caller's telephone number and name.
- This unit will not support future additional telephone services.
- Depending on the service of the local telephone company, the date/time of the call or the caller's name may not be displayed.

Make sure the following ring count is set to 2 or more rings beforehand.

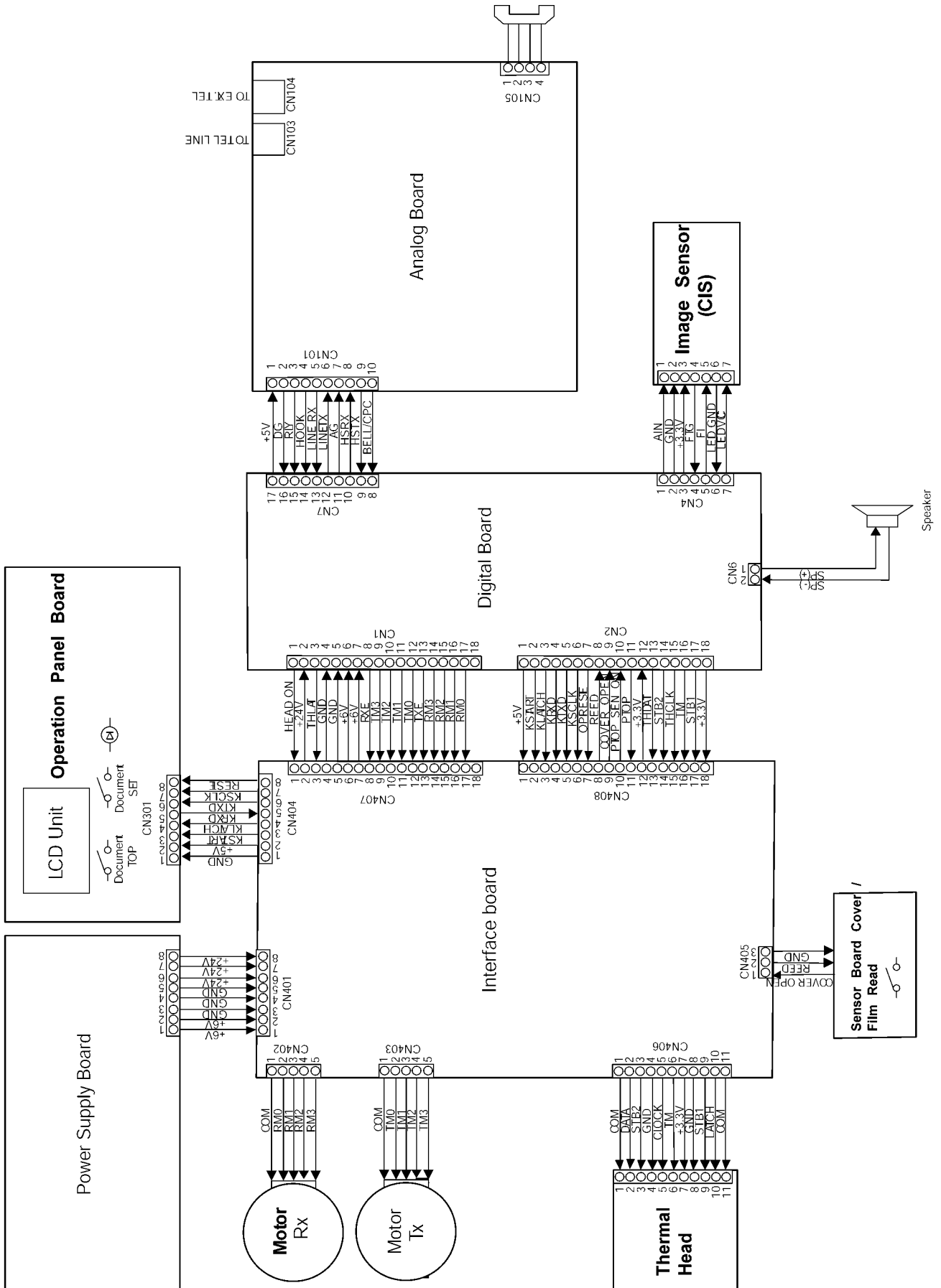
- FAX ring count (feature #06 on P.99)
- TEL/FAX ring count (feature #78 on P.99)

Enhanced Copier Function

- Multi-copy function (up to 50 copies)
- Enlargement and reduction
- Collate
- 64-Level halftone

6 Technical Descriptions

6.1. Connection Diagram

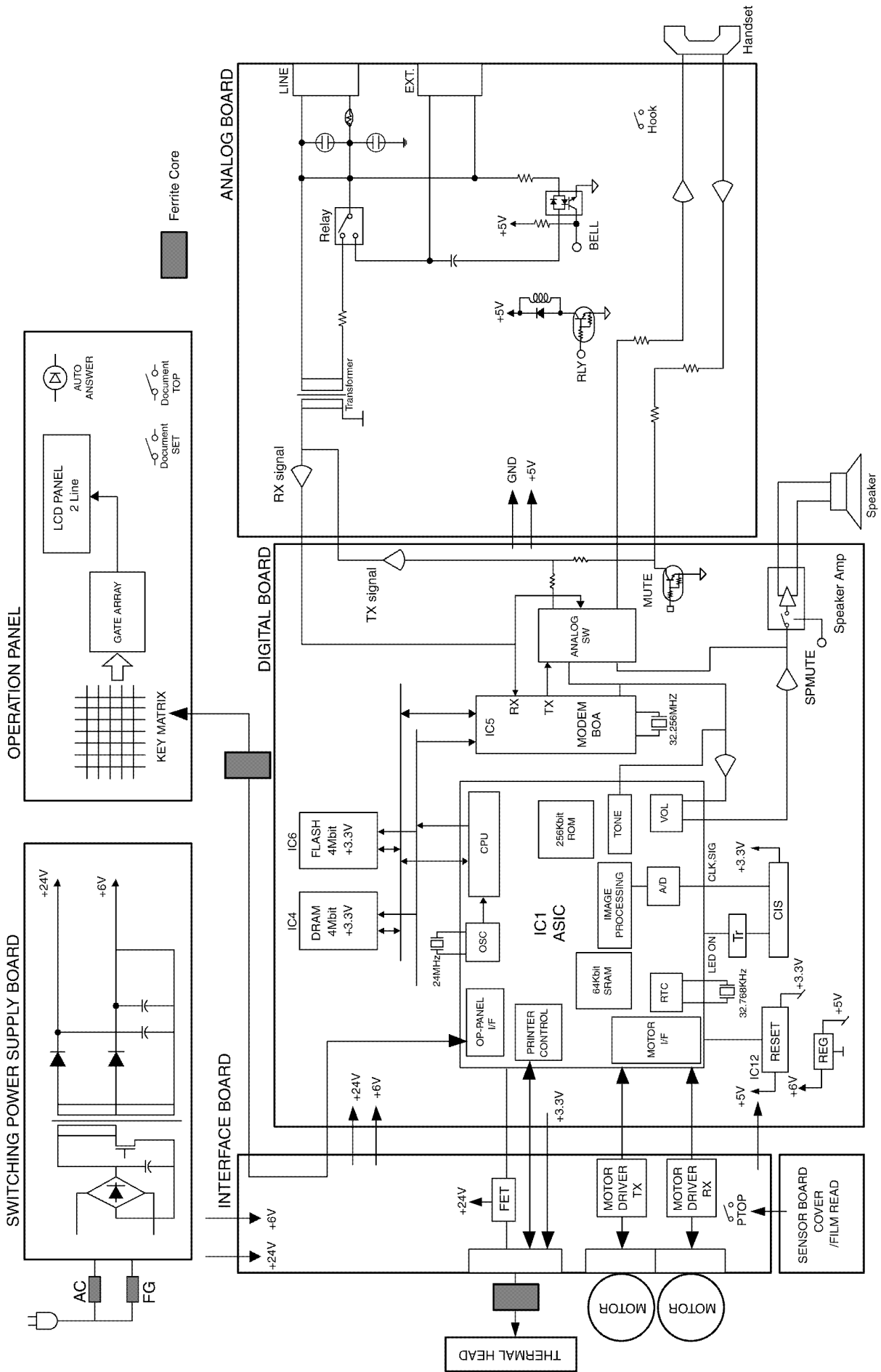


6.2. General Block Diagram

The following is an outline of each device IC on the digital board. (Refer to **6.2.1.General Block Diagram** (P.12).).

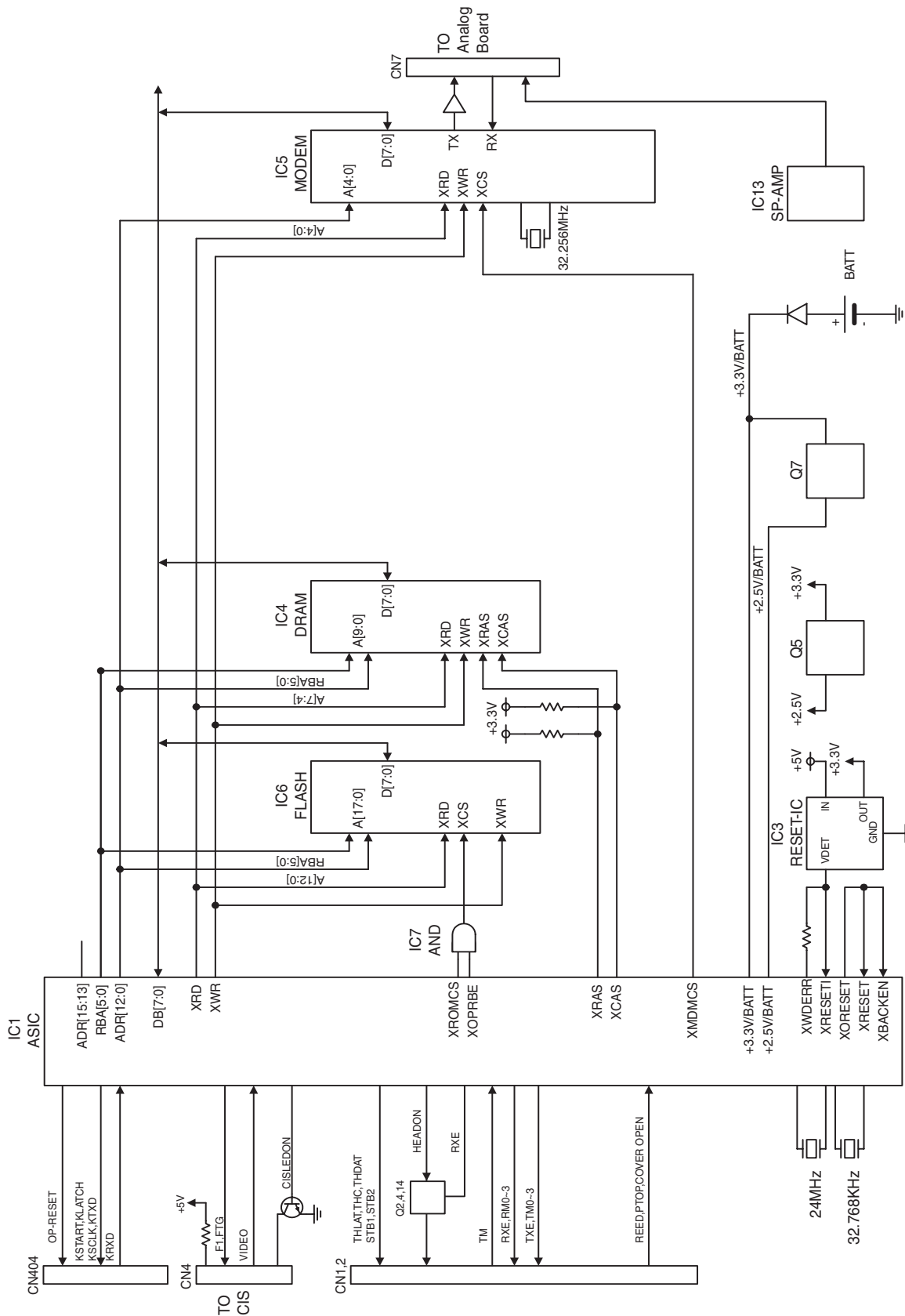
1. ASIC (IC1)
 - Composed mainly of an address decoder and a modem control.
 - Controls the general FAX operations.
 - Controls the operation panel I/F.
 - Controls the thermal head I/F and CIS I/F.
 - Performs the image processing.
 - CPU and Real time clock
 - Provides the reset pulse for each of the major ICs.
2. Flash ROM (IC6)
 - Contains all of the program instructions on the unit operations.
 - This memory is used mainly for the parameter working in the storage area.
3. Dynamic RAM (IC4)
 - This memory is used mainly for the parameter working in the storage area.
4. MODEM (IC5)
 - Performs the modulation and the demodulation for FAX communication.
5. Read Section
 - “Contact Image Sensor “(CIS) to read transmitted documents.
6. Motor Driver (IC401,IC402)
 - Drives the transmission motor and the reception motor.
7. Thermal Head
 - Contains heat-emitting elements for dot matrix image printing.
8. Analogue Board
 - Composed of ITS circuit and NCU circuit.
9. Sensor Section
 - Composed of a cover open, a document set switch, a document top switch, a paper top sensor.
10. Power Supply Board Switching Section
 - Supplies +6V and +24V to the unit.

6.2.1. General Block Diagram



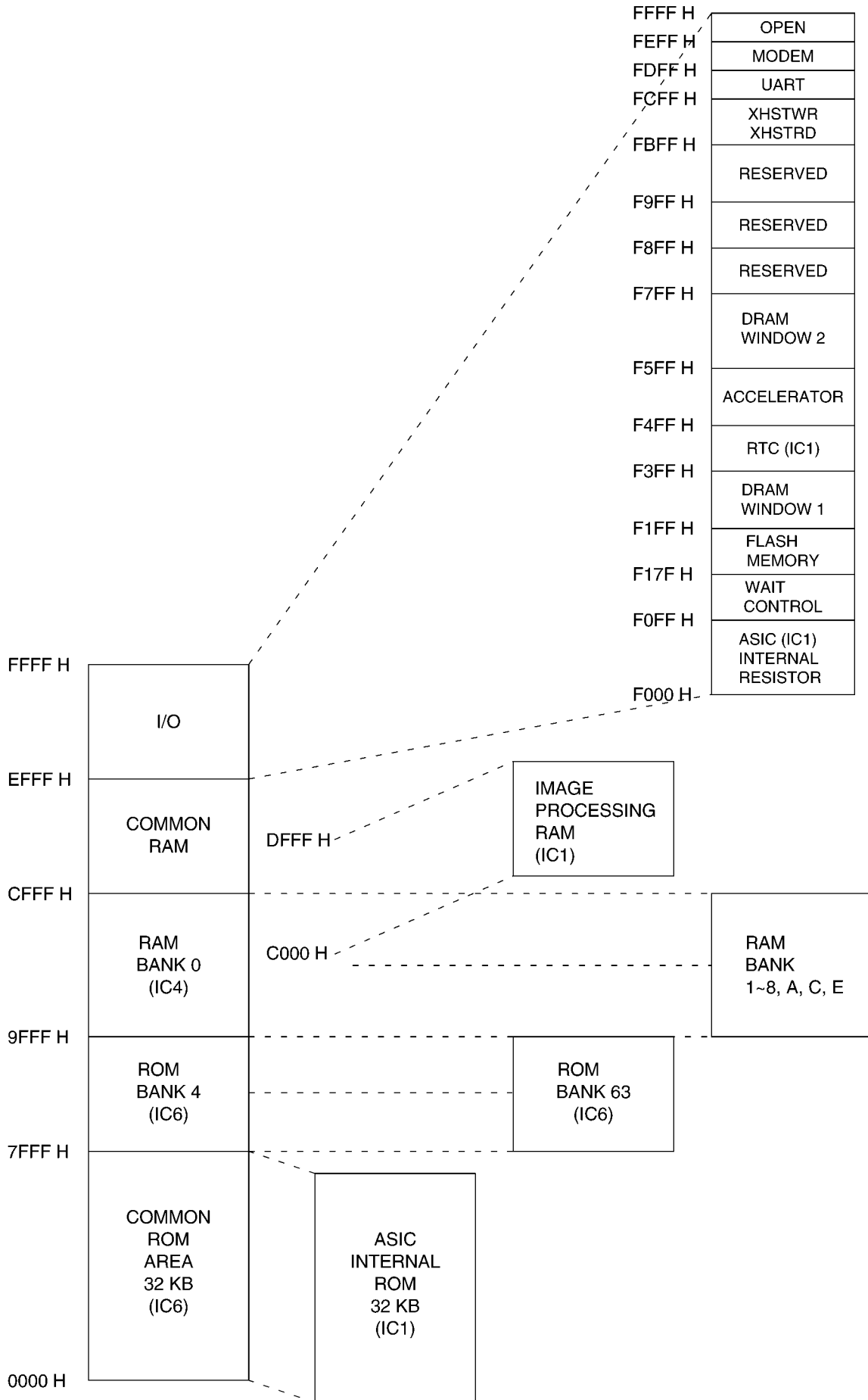
6.3. Control Section

6.3.1. Block Diagram



KX-FP701CX/KX-FP702CX : CONTROL SECTION BLOCK DIAGRAM

6.3.2. Memory Map



6.3.3. ASIC (IC1)

This custom IC is used for the general FAX operations.

1. CPU:
This model uses a Z80 equivalent to the CPU operating at 12 MHz. Most of the peripheral functions are performed by custom-designed LSIs. Therefore, the CPU only works for processing the results.
2. RTC:
Real Time Clock
3. DECODER:
Decodes the address.
4. ROM/RAM I/F:
Controls the SELECT signal of ROM or RAM and the bank switching.
5. CIS I/F:
Controls the document reading.
6. IMAGE DATA RAM:
This memory is programmed into the ASIC and uses 8 KB for the image processing. (See Fig. A.*)
7. THERMAL HEAD I/F:
Transmits the recorded data to the thermal head.
8. MOTOR I/F:
Controls the transmission motor which feeds the document.
Controls the receiving motor which feeds the recording paper.
9. OPERATION PANEL I/F:
Serial interface with Operation Panel.
10. I/O PORT:
I/O Port Interface.
11. ANALOGUE UNIT:
Electronic volume for the monitor.
Sends beep tones, etc.

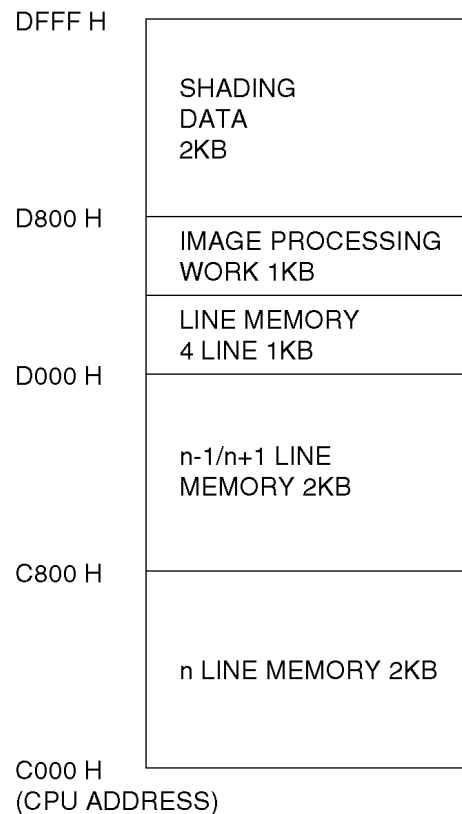


Fig. A

Note:

This memory is incorporated into the ASIC (IC1) and used for the image processing. Fig. A shows the memory map of the Image Data RAM.

Descriptions of Pin Distribution (IC1)

NO.	SIGNAL	I/O	POWER SUPPLIED VOLTAGE	DESCRIPTION
1	VSSA		GND	POWER SOURCE (ANALOG GND)
2	VDDA 3.3		3.3V	POWER SOURCE (ANALOG +3.3V)
3	AIN1	A	3.3V	CIS IMAGE SIGNAL INPUT (SIG)
4	AIN2	A	3.3V	THERMISTOR TEMPERATURE WATCH INPUT
5	AIN3	A	3.3V	LINE VOLTAGE DETECTION SIGNAL INPUT (DCIN)
6	AMON	A	3.3V	ANALOG SIGNAL MONITOR TERMINAL
7	VSS		GND	POWER SOURCE (GND)
8	X32OUT	O	3.3V/BATT	RTC (32.768KHz) CONNECTION
9	X32IN	I	3.3V/BATT	RTC (32.768KHz) CONNECTION
10	VDD (3.3V / B)		-----	POWER SOURCE (+3.3V/LITHIUM BATTERY)
11	XBACEN	I	3.3V/BATT	BACKUP ENABLE
12	XRAMCS	O	3.3V/BATT	NOT USED
13	VDD (3.3V / B)		-----	POWER SOURCE(+3.3V / LITHIUM BATTERY)
14	VDD (2.5V/B)		-----	POWER SOURCE (+2.5V / LITHIUM BATTERY)
15	FTG	O	3.3V	START SIGNAL OUTPUT FOR CIS (SI)
16	F1	O	3.3V	CLOCK SIGNAL OUTPUT FOR CIS (CLK)
17	F2/OP	O	3.3V	OUTPUT PORT (THON)
18	FR/OP	O	3.3V	OUTPUT PORT (MDMRST)
19	CPC	I	3.3V	INPUT PORT (BELL/CPC)
20	RVN	I	3.3V	INPUT PORT (REED)
21	IRDATXD/IOP	O	3.3V	OUTPUT PORT (NOT USED)
22	IRDARXD/IOP80	O	3.3V	OUTPUT PORT (NOT USED)
23	TXD/IOP	O	3.3V	OUTPUT PORT (FILMEND)
24	RXD/IOP	O	3.3V	OUTPUT PORT (NOT USED)
25	XRTS/IOP	O	3.3V	OUTPUT PORT (NOT USED)
26	XCTS/IOP	O	3.3V	OUTPUT PORT (NOT USED)
27	VDD (2.5V)		-----	POWER SOURCE (+2.5V)
28	TONE1	A	3.3V	TONE OUTPUT
29	TONE2	A	3.3V	TONE OUTPUT
30	VOLUREF	A	3.3V	ANALOG REF VOLTAGE
31	VOLUOUT	A	3.3V	VOLUME OUTPUT
32	VOLUIN	A	3.3V	VOLUME INPUT
33	XNMI	I	3.3V	HIGH FIXED
34	FMEMDO/IOP	O	3.3V	OUTPUT PORT (CISLED)
35	VDD (3.3V)		-----	POWER SOURCE (+3.3V)
36	VSS		GND	POWER SOURCE (GND)
37	VSS		GND	POWER SOURCE (GND)
38	VDD (3.3V)		-----	POWER SOURCE (+3.3V)
39	MIDAT/IOP	O	3.3V	OUTPUT PORT (TONE1EN)
40	MICLK/IOP	O	3.3V	OUTPUT PORT (HSTX MUTE)
41	MILAT/IOP	O	3.3V	OUTPUT PORT (HS RX EN)
42	20KOSC/IOP	O	3.3V	OUTPUT PORT (CIS ON)
43	XWAIT	I	3.3V	INPUT PORT (HOOK)
44	HSTRD/IOP	O	3.3V	OUTPUT PORT (RLY)
45	HSTWR/IOP	O	3.3V	OUTPUT PORT (NOT USED)
46	XOPRBE	O	3.3V	MFCS
47	ADR15	O	3.3V	CPU ADDRESS BUS 15 (NOT USED)
48	ADR14	O	3.3V	CPU ADDRESS BUS 14 (NOT USED)
49	ADR13	O	3.3V	CPU ADDRESS BUS 13 (NOT USED)
50	VDD (2.5V)		-----	POWER SOURCE (+2.5V)
51	XOUT	O	3.3V	SYSTEM CLOCK (24MHz)
52	XIN	I	3.3V	SYSTEM CLOCK (24MHz)
53	VSS		GND	POWER SOURCE (GND)
54	VDD (3.3V)		-----	POWER SOURCE (+3.3V)
55	XTEST	O	3.3V	24MHz CLOCK
56	TEST1	I	3.3V	HIGH FIXED

NO.	SIGNAL	I/O	POWER SUPPLIED VOLTAGE	DESCRIPTION
57	TEST2	I	3.3V	HIGH FIXED
58	TEST3	I	3.3V	HIGH FIXED
59	TEST4	I	3.3V	HIGH FIXED
60	XMDMINT	I	3.3V	MODEM INTERRUPT
61	XMDMCS	O	3.3V	MODEM CHIP SELECT
62	XRAS/IOP	O	3.3V	DRAM (IC4) ROW ADDRESS STROBE
63	XCAS1/IOP	O	3.3V	DRAM (IC4) CULUMN ADDRESS STROBE
64	XCAS2/IOP	O	3.3V	OUTPUT PORT (NOT USED)
65	XRESCS2	O	3.3V	FLASH CHIP SELECT (XRESCS2)
66	DB3	I/O	3.3V	CPU DATA BUS 3
67	DB2	I/O	3.3V	CPU DATA BUS 2
68	DB4	I/O	3.3V	CPU DATA BUS 4
69	DB1	I/O	3.3V	CPU DATA BUS 1
70	DB5	I/O	3.3V	CPU DATA BUS 5
71	VDD (3.3V)		----	POWER SOURCE (+3.3V)
72	VSS		GND	POWER SOURCE (GND)
73	VSS		GND	POWER SOURCE (GND)
74	VDD (3.3V)		----	POWER SOURCE (+3.3V)
75	DB0	I/O	3.3V	CPU DATA BUS 0
76	DB6	I/O	3.3V	CPU DATA BUS 6
77	DB7	I/O	3.3V	CPU DATA BUS 7
78	XROMCS	O	3.3V	ROM (IC6) CHIP SELECT
79	RD	O	3.3V	CPU RD
80	WR	O	3.3V	CPU WR
81	ADR0	O	3.3V	CPU ADDRESS BUS 0
82	ADR1	O	3.3V	CPU ADDRESS BUS 1
83	ADR2	O	3.3V	CPU ADDRESS BUS 2
84	ADR3	O	3.3V	CPU ADDRESS BUS 3
85	ADR4	O	3.3V	CPU ADDRESS BUS 4
86	ADR5	O	3.3V	CPU ADDRESS BUS 5
87	VSS		GND	POWER SOURCE (GND)
88	VDD (2.5V)		----	POWER SOURCE (+2.5V)
89	ADR6	O	3.3V	CPU ADDRESS BUS 6
90	ADR7	O	3.3V	CPU ADDRESS BUS 7
91	ADR8	O	3.3V	CPU ADDRESS BUS 8
92	ADR9	O	3.3V	CPU ADDRESS 9
93	ADR10	O	3.3V	CPU ADDRESS 10
94	ADR11	O	3.3V	CPU ADDRESS 11
95	ADR12	O	3.3V	CPU ADDRESS 12
96	RBA0	O	3.3V	ROM/RAM BANK ADDRESS 0
97	RBA1	O	3.3V	ROM/RAM BANK ADDRESS 1
98	RBA2	O	3.3V	ROM/RAM BANK ADDRESS 2
99	RBA3	O	3.3V	ROM/RAM BANK ADDRESS 3
100	RBA4	O	3.3V	ROM/RAM BANK ADDRESS 4
101	RBA5	O	3.3V	ROM/RAM BANK ADDRESS 5
102	RBA6/IOP96	O	3.3V	OUTPUT PORT (PTOP SEN ON)
103	STB1	O	3.3V	STROBE SIGNAL OUTPUT TO THERMAL HEAD
104	STB2	O	3.3V	STROBE SIGNAL OUTPUT TO THERMAL HEAD
105	STB3	O	3.3V	(NOT USED)
106	XRESET	I	3.3V	RESET INPUT
107	VDD (3.3V)		----	POWER SOURCE (+3.3V)
108	VSS		GND	POWER SOURCE (GND)
109	VSS		GND	POWER SOURCE (GND)
110	VDD (3.3V)		----	POWER SOURCE (+3.3V)
111	XORESET	O	3.3V	SYSTEM RESET OUTPUT
112	VDD(5V)		----	POWER SOURCE (+5V)
113	VSS		GND	POWER SOURCE (GND)

NO.	SIGNAL	I/O	POWER SUPPLIED VOLTAGE	DESCRIPTION
114	XRESETI	I	3.3V	RESET INPUT
115	WDERR	O	3.3V	WATCHED ERROR OUTPUT SIGNAL
116	THDAT	O	3.3V	RECORDED IMAGE OUTPUT (XTHDAT)
117	THCLK	O	3.3V	CLOCK OUTPUT FOR DATA TRANSFER (XTHCLK)
118	THLAT	O	3.3V	PULSE OUTPUT FOR DATA LATCH (XTHLAT)
119	STBNP	I	0V	INPUT PORT (NOT USED)
120	RM0/IOP	O	3.3V	RX MOTOR A PHASE
121	RM1/IOP	I/O	3.3V	RX MOTOR B PHASE
122	RM2/IOP	I/O	3.3V	RX MOTOR /A PHASE
123	RM3/IOP	I/O	3.3V	RX MOTOR /B PHASE
124	RXE/IOP	O	3.3V	RX MOTOR ENABLE
125	TMO	O	3.3V	TX MOTOR A PHASE
126	VDD (2.5V)		----	POWER SOURCE (+2.5V)
127	VSS		GND	POWER SOURCE (GND)
128	TM1/IOP	O	3.3V	TX MOTOR B PHASE
129	TM2/IOP	O	3.3V	TX MOTOR /A PHASE
130	TM3/IOP	O	3.3V	TX MOTOR /B PHASE
131	TXE/IOP	O	3.3V	TX MOTOR ENABLE
132	KSTART	O	3.3V	OPERATION PANEL CONTROL
133	KLATCH	O	3.3V	OPERATION PANEL CONTROL
134	KSCLK	O	3.3V	OPERATION PANEL CONTROL
135	KTXD	O	3.3V	OPERATION PANEL CONTROL
136	KRXD	I	3.3V	OPERATION PANEL CONTROL
137	FMEMCLK/IOP	O	3.3V	OUTPUT PORT (OP RESET)
138	FMEMDI/IOP	O	3.3V	OUTPUT PORT (SP MUTE)
139	ADSEL1	O	3.3V	CHANNEL SELECT SIGNAL FOR AIN2
140	VDDA (2.5V)		2.5V	POWER SOURCE (ANALOG +2.5V)
141	VREFB	A	3.3V	A/D CONVERTER'S ZERO STANDARD VOLTAGE OUTPUT
142	VCL	A	3.3V	ANALOG PART STANDARD VOLTAGE SIGNAL
143	VREFT	A	3.3V	A/D CONVERTER'S FULL SCALE VOLTAGE OUTPUT
144	VSSA		GND	POWER SOURCE (ANALOG GND)

6.3.4. Flash Memory (IC6)

This 512KB ROM (FLASH MEMORY) carries a common area of 32KB and bank areas which each have 8KB (BK4~BK63). The addresses from 0000H to 7FFFH are for the common area and from 8000H to 9FFFH are for the bank areas.

6.3.5. Dynamic RAM (IC4)

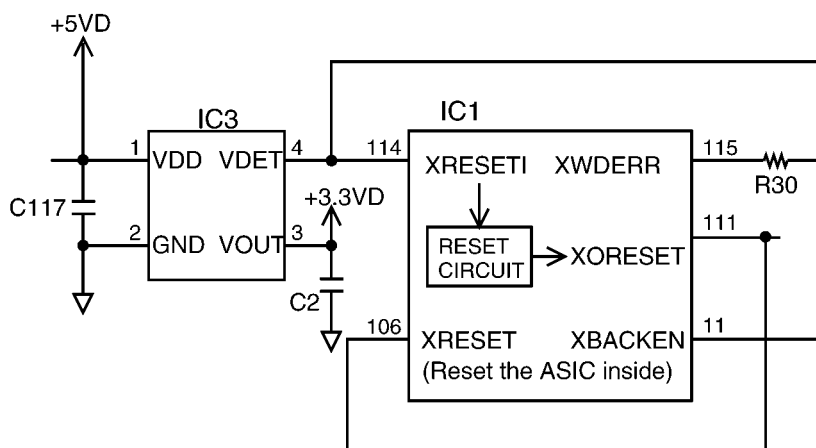
The DRAM serves as CPU and receives memory.

The address is F200H~F3FFH (DRAM access window 1) and F600H~F7FFH (DRAM access window 2).

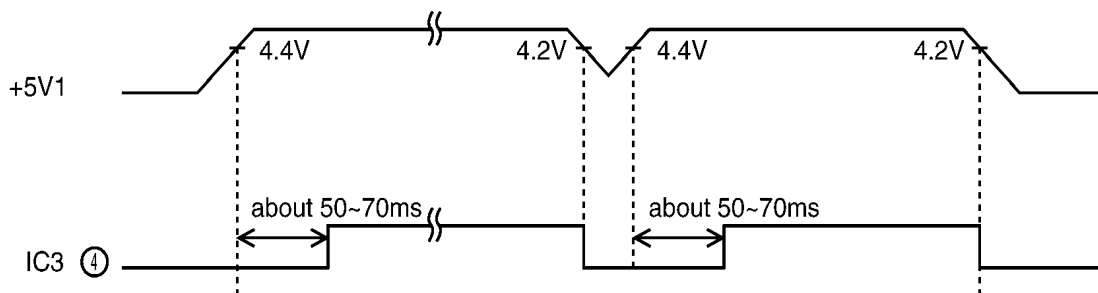
6.3.6. Reset Circuit (Watch dog timer)

The output signal (reset) from pin 4 of the voltage detect IC (IC3) is input to the ASIC (IC1) 114 pin.

Circuit Diagram



1. During a momentary power interruption, a positive reset pulse of 50~70 msec is generated and the system is reset completely.



2. The watch dog timer, built-in the ASIC (IC1), is initialized by the CPU about every 1.5 ms. When a watch dog error occurs, pin 115 of the ASIC (IC1) becomes low level. The terminal of the 'WDERR' signal is connected to the reset line, so the 'WDERR' signal works as the reset signal.

6.3.7. RTC Backup Circuit

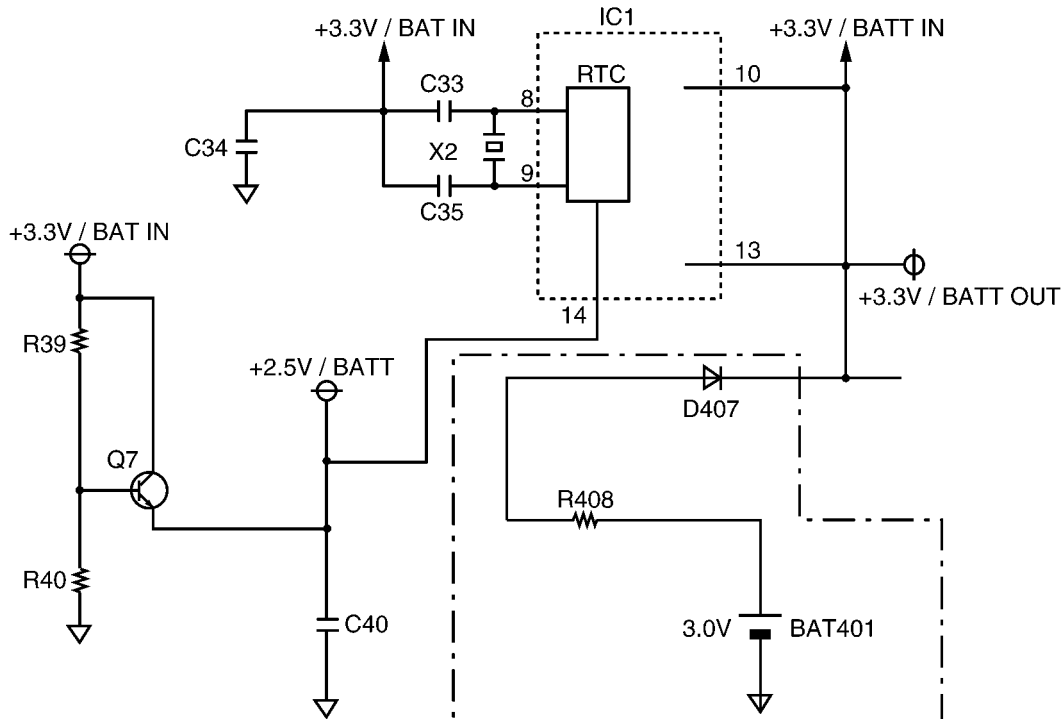
1. Function

This unit has a lithium battery (BAT401) which works for Real Time Clock IC (RTC: inside IC1). The RTC continues to work, backed up by a lithium battery even when the power switch is OFF. The user parameters for autodial numbers, the system setup data and others are in the FLASH MEMORY (IC6).

2. RTC Inside (IC1) Backup Circuit Operation

When the power switch is turned ON, power is supplied through Q7 to the RTC (inside IC1). At this time, the voltage at pin 14 of the IC1 is +2.5V. When the power switch is turned OFF, the BAT401 supplies power to RTC through D407 and Q505. The voltage at pin 14 of IC1 is about +2.2V. When the power switch is OFF and the voltage of +3.3V decreases, pin 14 of RTC (IC1) becomes roughly the same voltage as the battery voltage. RTC goes into the backup mode, in which the power consumption is lower.

Circuit Diagram



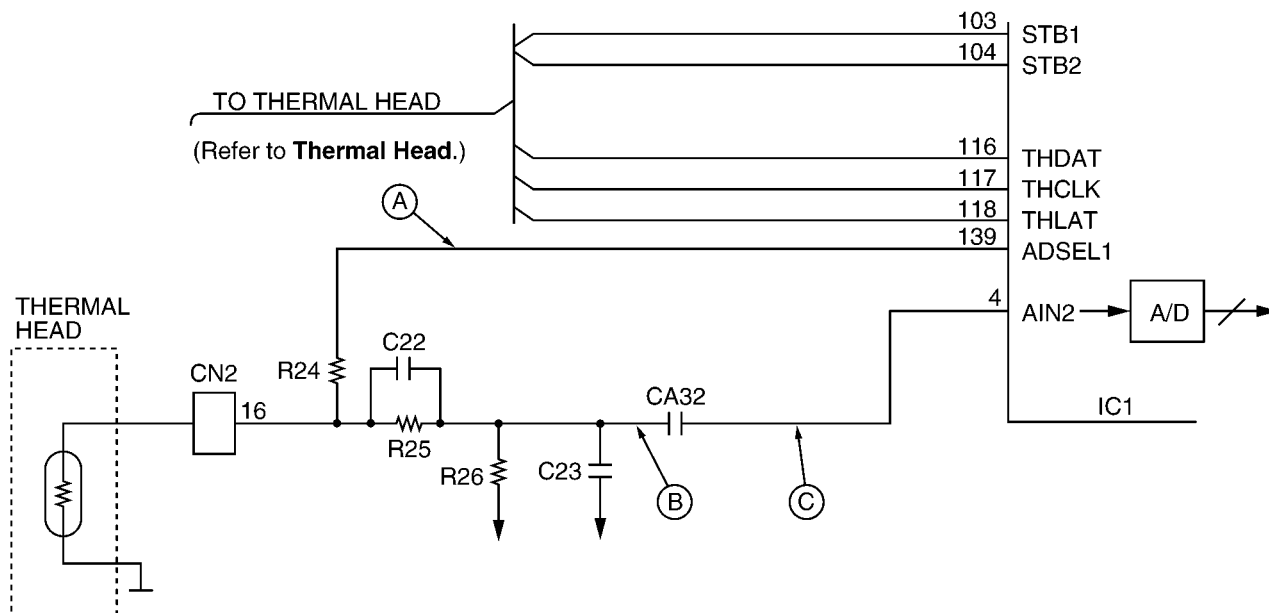
6.3.8. Supervision Circuit for the Thermal Head Temperature

1. Function

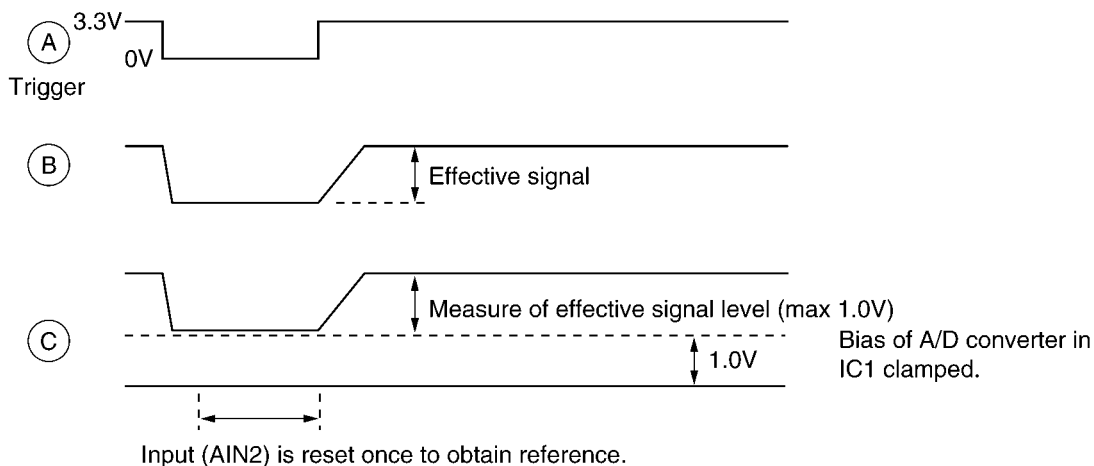
The thermistor changes the resistor according to the temperature and uses the thermistor's characteristics. The output of pin 139 of IC1 becomes a low level. Then when it becomes a high level, it triggers point A. In point C, according to the voltage output time, the thermal head's temperature is detected.

After the thermal head temperature is converted to voltage in B, it is then changed to digital data in the A/D converter inside IC1. The CPU decides the strobe width of the thermal head according to this value. Therefore, this circuit can keep the thermal head at an even temperature in order to stabilize the printing density and prevent the head from being overheated.

Circuit Diagram



Timing Chart



REFERENCE:

6.4.3. Thermal Head (P.24)

6.4. Facsimile Section

6.4.1. Image Data Flow During Facsimile Operation

Copy (Fine, Super-Fine, Half Tone)

1. Line information is read by Contact Image Sensor (to be used as the reference white level) via route1, and is input to IC1. Refer to **6.4.2. Block Diagram** (P.23)
2. In IC1, the data is adjusted to a suitable level for A/D conversion in the Analogue Signal Processing Section, and via route2 it is input to A/D conversion (8 bit). After finishing A/D conversion, the data is input to the Image Processing Section via route3. Then via route4 and route5, it is stored in RAM as shading data.
3. The draft's information that is read by CIS is input to IC1 via route1. After it is adjusted to a suitable level for A/D conversion via route2, the draft's information is converted to A/D (8 bit), and it is input to the Image Processing Section. The other side, the shading data which flows from RAM via route6 and route7, is input to the Image Processing Section. After finishing the draft's information image processing, white is regarded as "0" and black is regarded as "1". Then via routes4 and 5, they are stored in RAM.
4. The white/black data stored as above via routes6 and8 is input to the P/S converter. The white/black data converted to serial data in the P/S converter is input to the Thermal Head via route9 and is printed out on recording paper.

Note:

- Standard: Reads 3.85 times/mm
- Fine: Reads 7.7 times/mm
- Super-Fine: Reads 15.4 times/mm

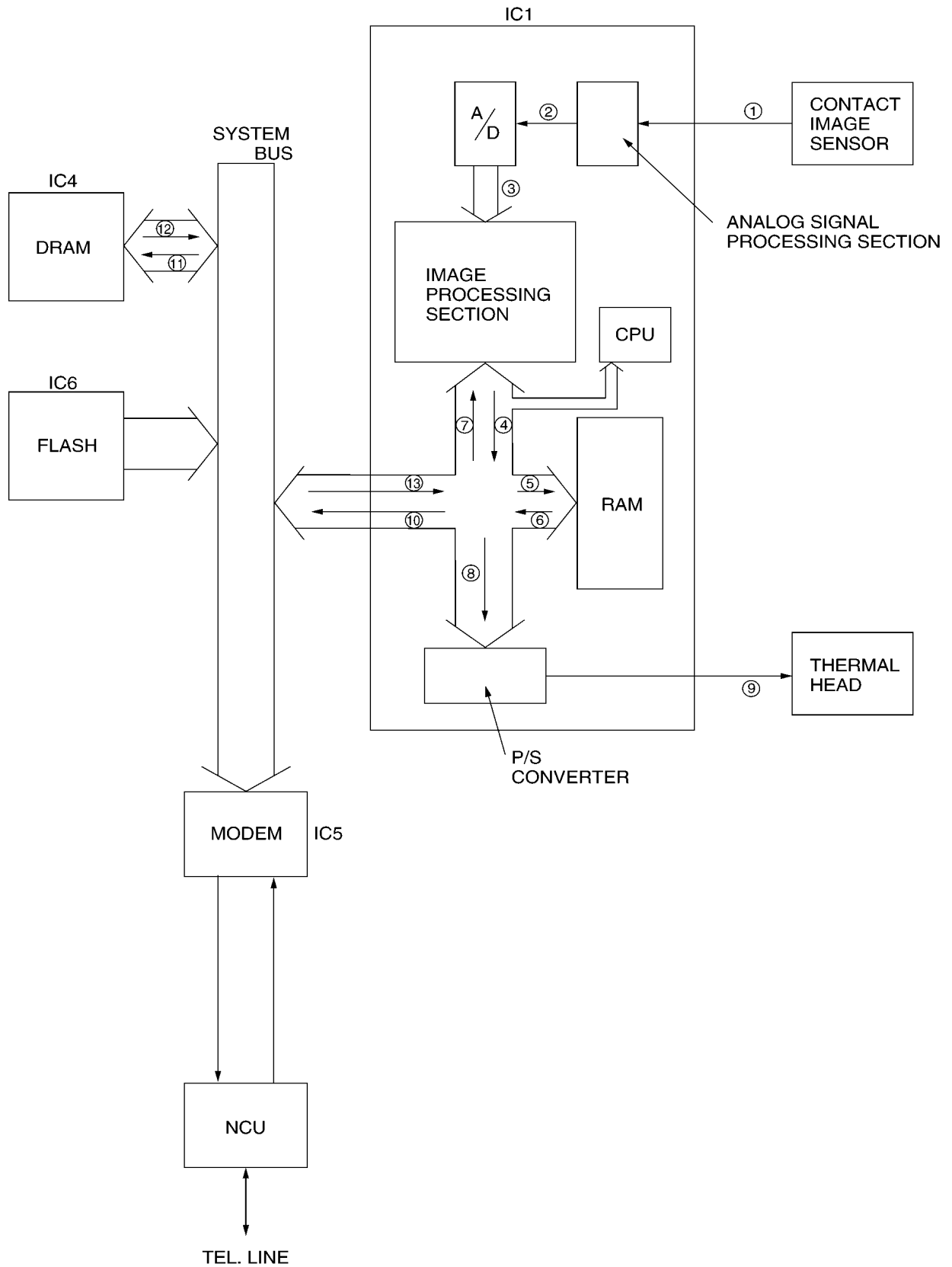
Transmission

1. Same processing as **Copy** items 1 - 3.
2. The data stored in the RAM of IC1 is output from IC1 via routes6 and 10, and is stored in the system bus. Via route11, it is stored in the communication buffer inside DRAM (IC4).
3. While retrieving data stored in the communication buffer synchronous with the modem, the CPU (inside IC1) inputs the data to the modem along route12, where it is converted to serial analogue data and forwarded over the telephone lines via the NCU Section.

Reception

1. The serial analogue image data is received over the telephone lines and input to the modem via the NCU section, where it is demodulated to parallel digital data. Then the CPU (IC1) stores the data in the communication buffer DRAM (IC4) along route12.
2. The data stored in DRAM (IC4) is decoded by the CPU (IC1) via route12, and is stored in DRAM (IC4) via routes13 and 5.
3. Same processing as **Copy** item 4.

6.4.2. Block Diagram



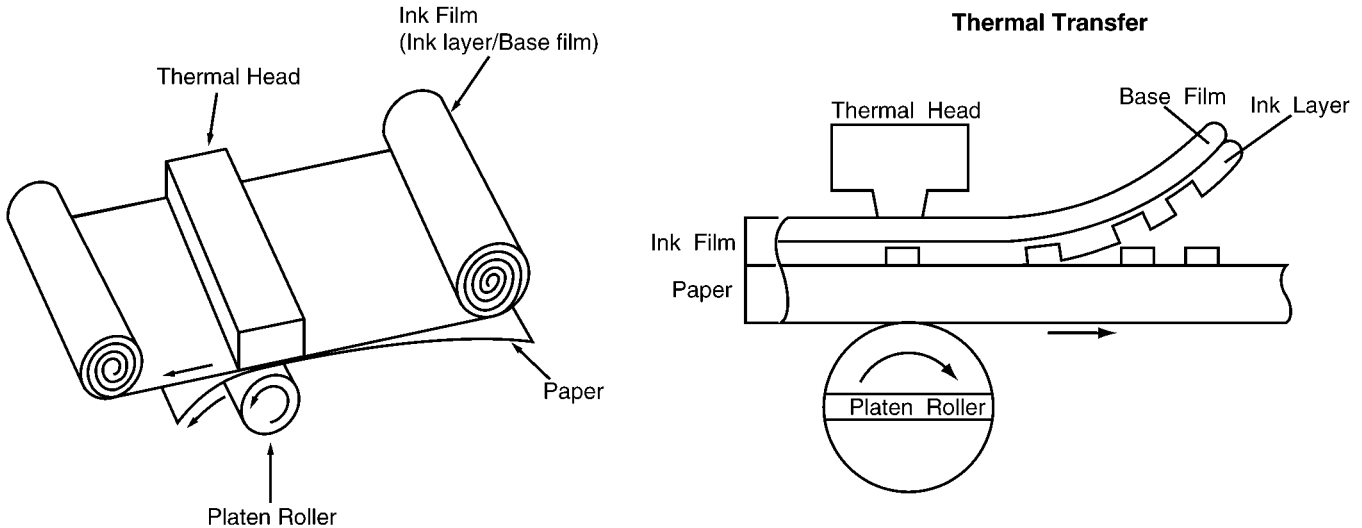
6.4.3. Thermal Head

1. Function

This unit utilizes the state of the art thermal printer technology.

The ink film is chemically processed. The ink film is comprised of two parts: an ink layer and a base film. When the thermal-head contacts this ink film, it emits heat momentarily, and the ink layer is melted and transferred to the paper. If this continues, letters and/or diagrams appear, and the original document is reproduced.

Composition of the receive record section (Thermal recording format)



2. Circuit Operation

Refer to the block diagram and the timing chart on the following page.

There are 9 driver ICs aligned horizontally on the thermal head and each one of these ICs can drive 192 heat emitting registers. This means that one line is at a density of $192 \times 9 = 1728$ dots = (8 dots/mm).

White/Black (white=0, black=1) data in one line increments is synchronized at IC1 pin 117 (THCLK), and sent from IC1 pin 116 (THDAT) to the shift register of the ICs. The shift registers of the 9 ICs are connected in series, and upon the shift of dot increment 1728, all the shift registers become filled with data, and a latch pulse is emitted to each IC from IC1 pin 118 (THLAT). With this latch pulse, all the contents of the shift registers are latched to the latch registers. Thereafter, through the addition of strobos from the IC1 pins (103, 104) only black dot locations (=1) among latched data activates the driver, and the current passes to heat the emitting body causing heat emission.

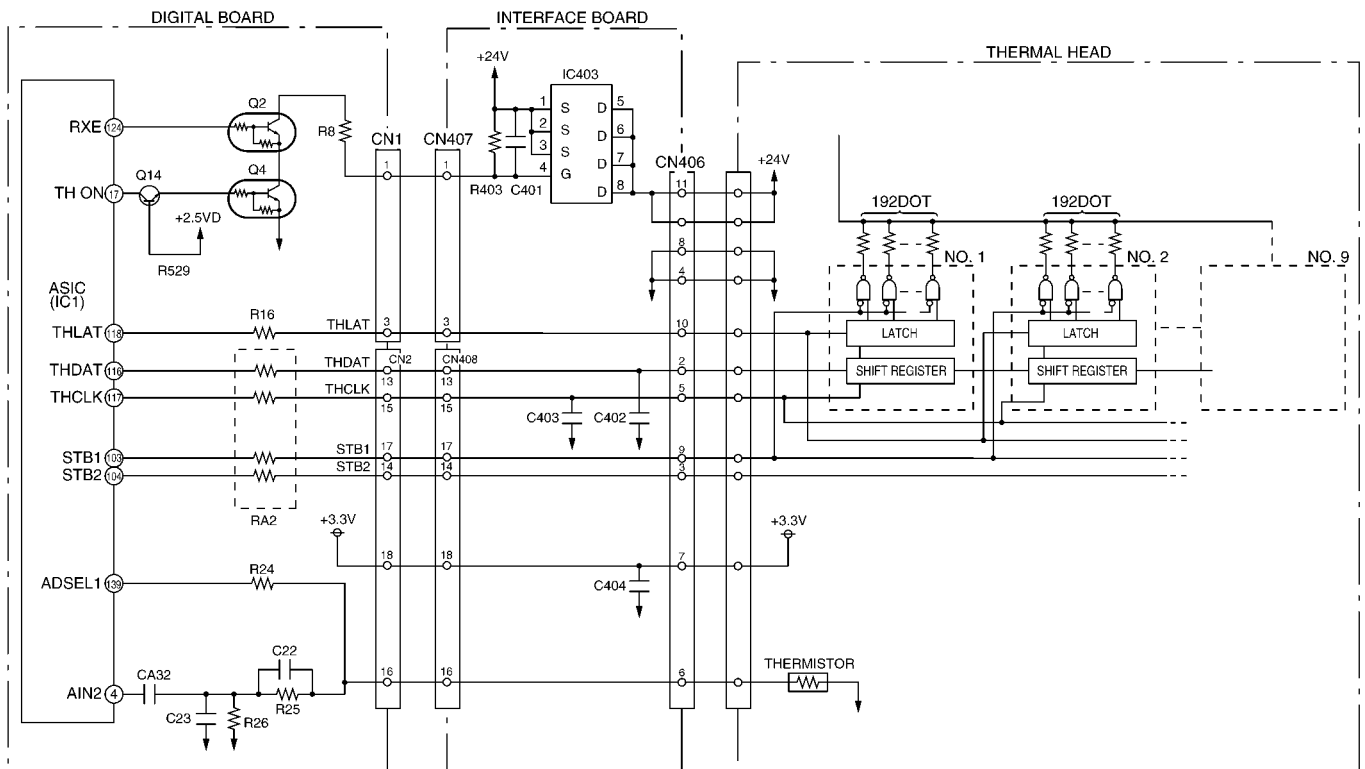
Here, the two line strobos, STB1 and STB2, impress at intervals of 9.216 msec, as required for one-line printout.

The sequence is shown on the next page. [Moreover, for the strobe width, the thermistor value inside the thermal head is detected according to IC1 pin 4. Depending on that value, the strobe width is recorded in ROM (IC6).

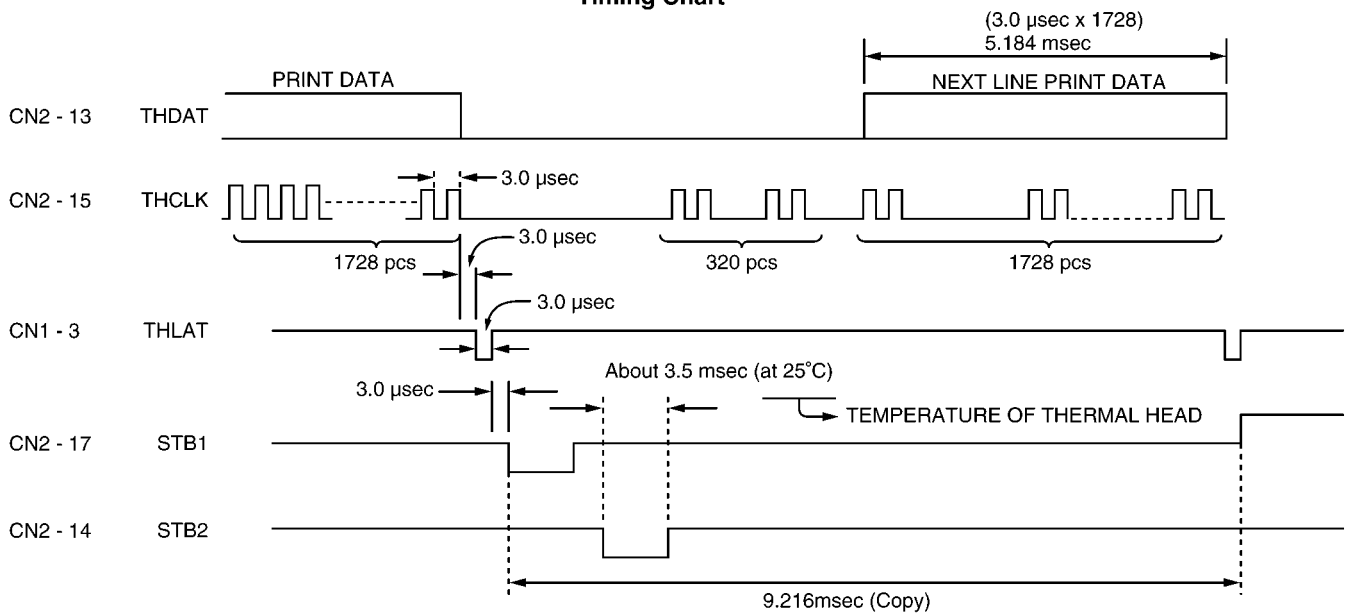
Accordingly, the strobe width is determined.

When the thermal head is not used, the IC1 (17, THON) becomes low, Q502 turns OFF, Q401 turns OFF, and the +24 V power supply for the thermal head driver is not impressed to protect the IC.

Circuit Diagram



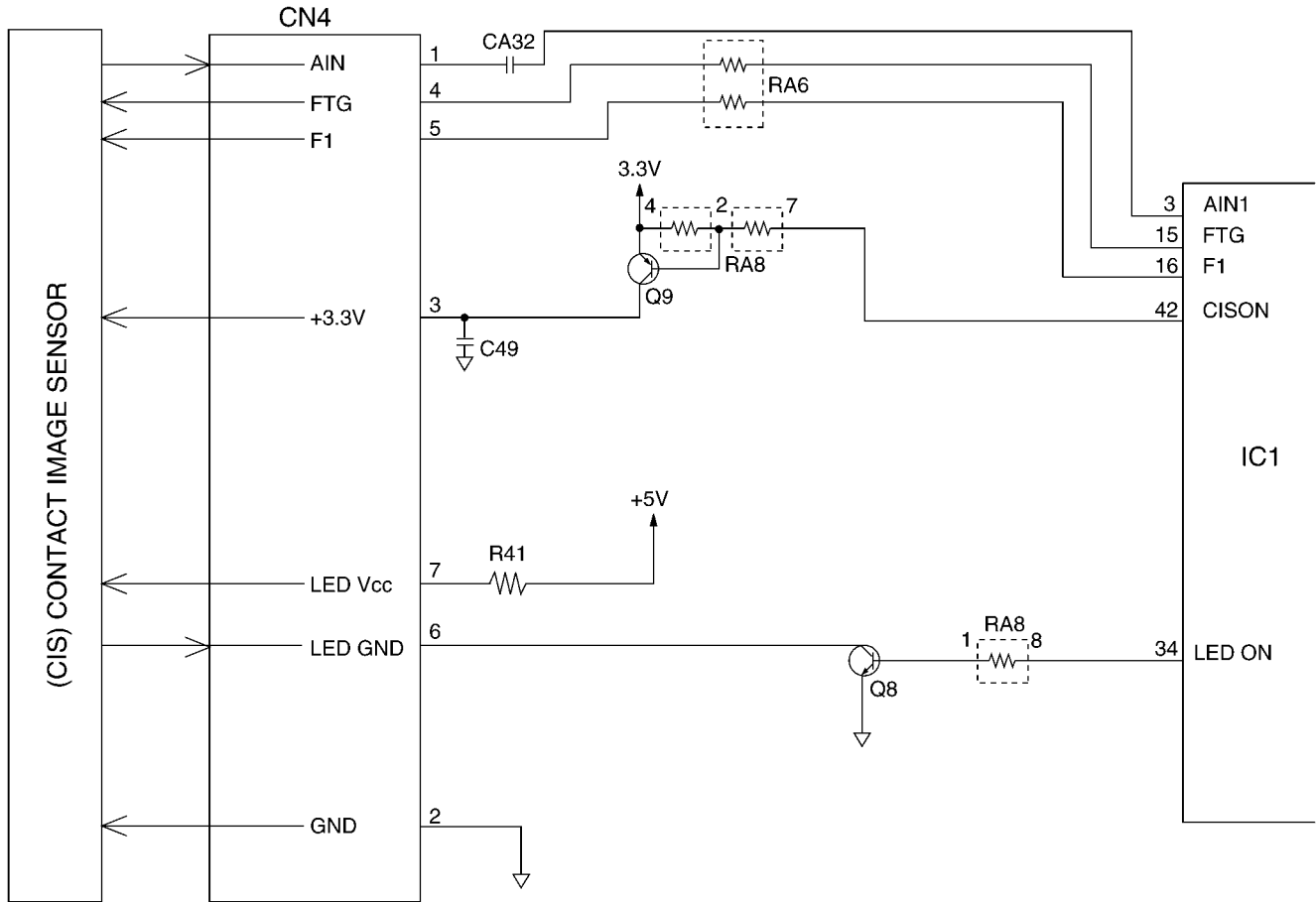
Timing Chart



6.4.4. Scanning Block

The scanning block of this device consists of a control circuit and a contact image sensor made up of a celfoc lens array, an LED array, and photoelectric conversion elements.

Circuit Diagram



When an original document is inserted and the start button pressed, pin 34 of IC1 goes to a high level and the transistor Q8 turns on. This applies voltage to the LED array to light it. The contact image sensor is driven by each of the FTG-F1 signals output from IC1, and the original image illuminated by the LED array undergoes photoelectric conversion to output an analogue image signal (AIN). The analogue image signal is input to the system ASIC on AIN1 (pin 3 of IC1) and converted into 8-bit data by the A/D converter inside IC1. Then this signal undergoes digital processing in order to obtain a high-quality image.

6.4.5. Stepping Motor Drive Circuit (RX)

1. Function

The stepping motor works for reception and copy.

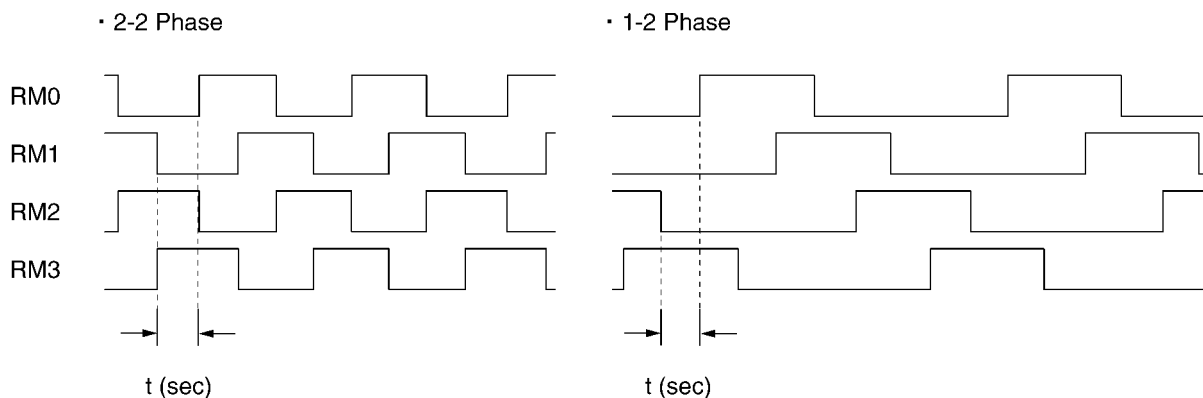
2. Motor

During motor driving, pin 124 of ASIC IC1 becomes high level, IC401 10pin becomes low level, and Q401 turns ON. As a result, +24V is supplied to the motor coil.

Stepping pulses are output from ASIC IC1 pins, 124, 120~123, causing driver IC401 pins, 16~13 to drive the Motor Coil. The motor coil is energized sequentially in 2 phase increments, which causes a 1-step rotation.

The timing chart is below.

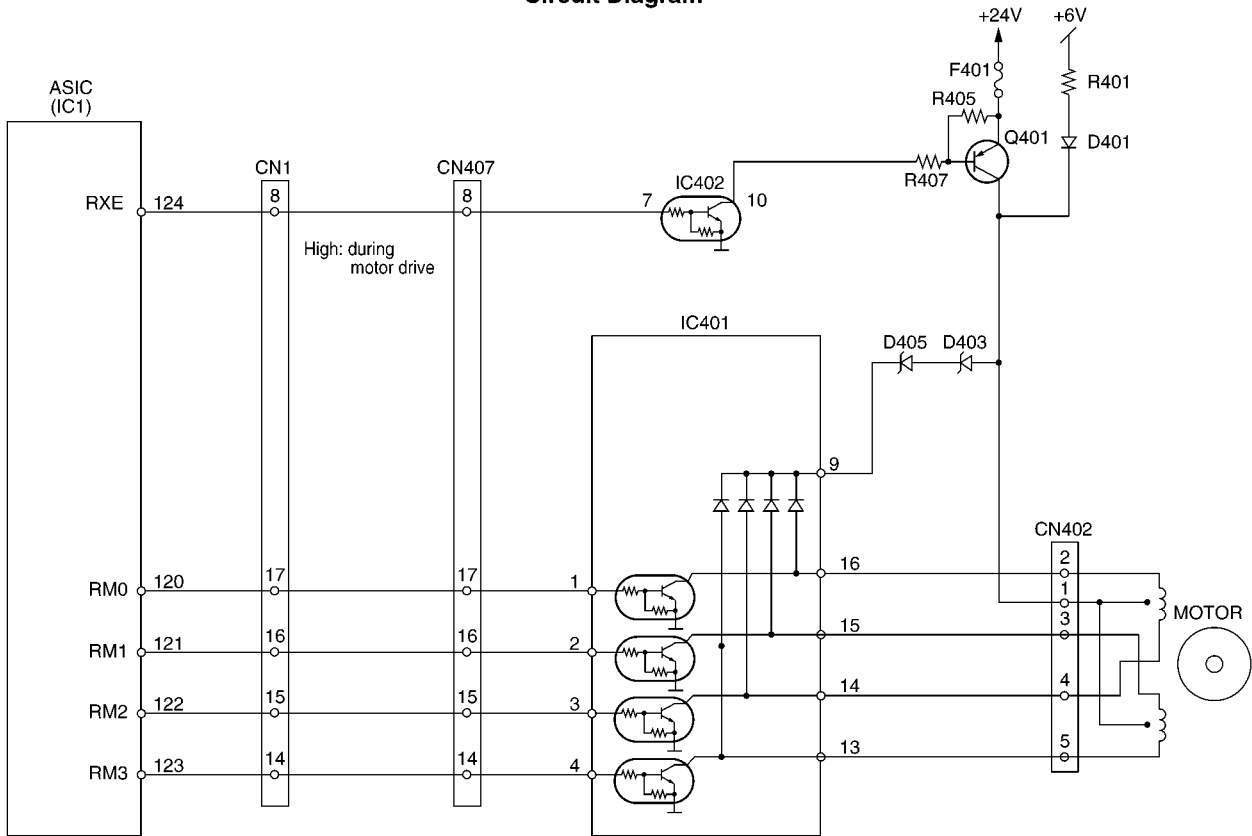
Stepping Monitor Timing Chart



Stepping Motor Drive Mode

Function	Mode	Phase Pattern	Speed
Copy	Fine, Photo	1-2	432 pps ($t=1/432$)
	Super Fine	1-2	216 pps ($t=1/216$)
FAX Receiving	Standard, Fine, Photo	1-2	432 pps ($t=1/432$)
	Super Fine	1-2	216 pps ($t=1/216$)
Paper Feed	——	1-2	432 pps ($t=1/432$)
Stand-by	——	All phases are currently off.	None

Circuit Diagram



When the motor suspends while it is in the receive mode (about 70~80 msec), pin 124 of ASIC IC1 becomes a low level and Q401 turns OFF, and instead of +24 V, +6 V is supplied through D401 so that the motor is held in place. When the system is in the stand-by mode, all of the motor drive transistors turn OFF. Consequently, the motor current stops.

6.4.6. Stepping Motor Drive Circuit (TX)

1. **Function**

The stepping motor works for reception and copy.

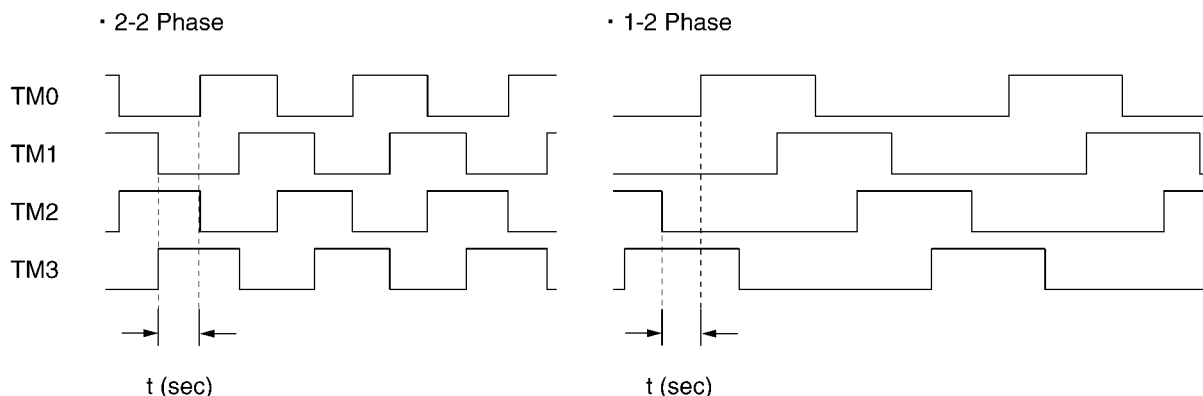
2. **Motor**

During motor driving, pin 131 of ASIC IC1 becomes high level, IC401 10pin becomes low level, and Q402 turns ON. As a result, +24V is supplied to the motor coil.

Stepping pulses are output from ASIC IC1 pins, 131, 125, 128~130, causing driver IC402 pins, 16~13 to drive the Motor Coil. The motor coil is energized sequentially in 2 phase increments, which causes a 1-step rotation.

The timing chart is below.

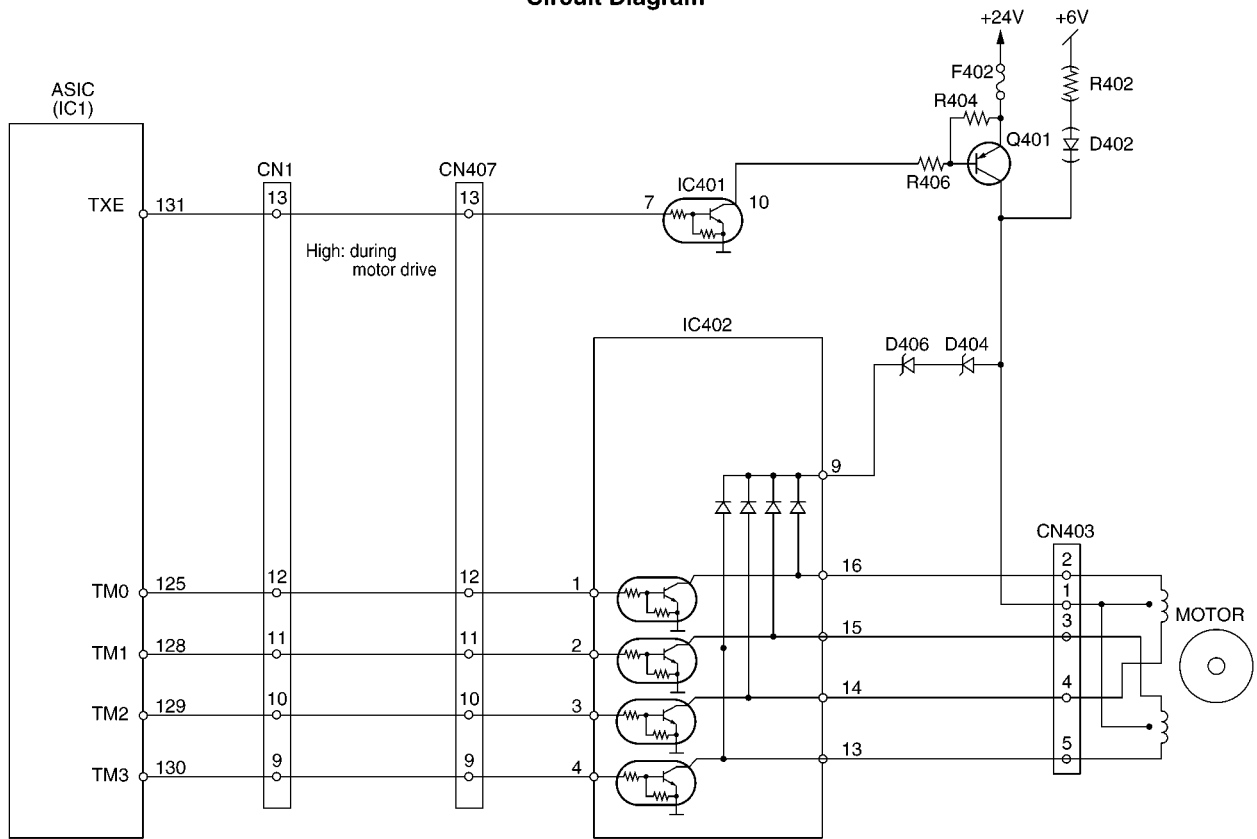
Stepping Monitor Timing Chart



Stepping Motor Drive Mode

Function	Mode	Phase Pattern	Speed
Copy	Fine, Photo	1-2	432 pps (t=1/432)
	Super Fine	1-2	216 pps (t=1/216)
FAX Sending	Standard	1-2	432 pps (t=1/432)
	Fine, Photo	1-2	432 pps (t=1/432)
	Super Fine	1-2	216 pps (t=1/216)
Document Feed	——	1-2	432 pps (t=1/432)
Stand-by	——	All phases are currently off.	None

Circuit Diagram



When the motor suspends while it is in the sending mode (about 70~80 msec), pin 131 of ASIC IC1 becomes a low level and Q402 turns OFF. When the system is in the stand-by mode, all of the motor drive transistors turn OFF. Consequently, the motor current stops.

6.5. Sensors and Switches

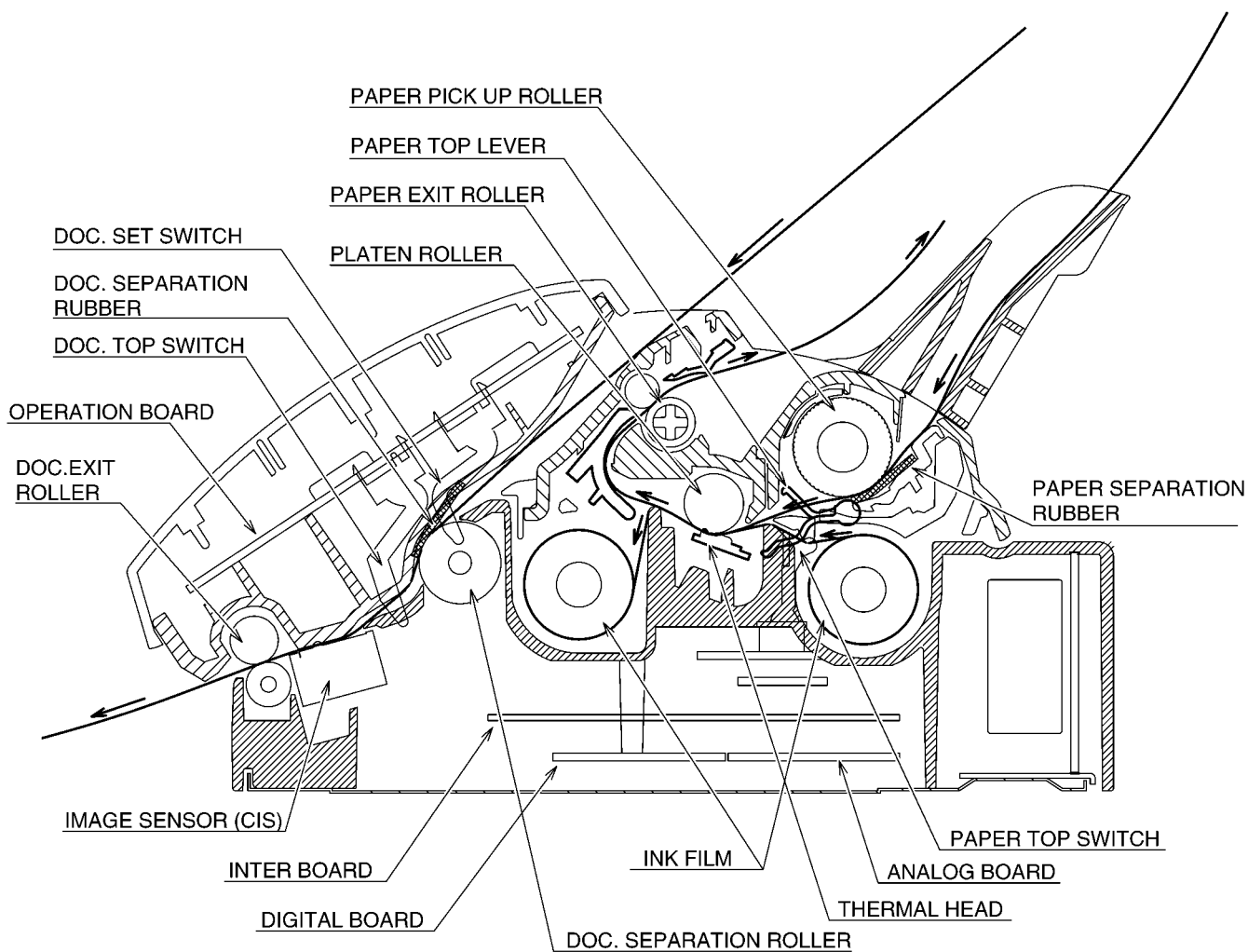
All of the sensor and switches are shown below.

Sensor Circuit Location	Sensor	Sensor or Switch Name	Error Message
Operation Panel	SW337	Document top sensor	[REMOVE DOCUMENT]
	SW338	Document set sensor	[CHECK DOCUMENT]
Sensor P.C.Board	SW502	Cover Open sensor	[CHECK COVER]
	SW501	Film Detection sensor	[FILM EMPTY] [CHECK FILM]
Analog Board	SW101	Hook switch	—————
Interface Board	PS401	Paper Top sensor	[PAPER JAMMED]

Note:

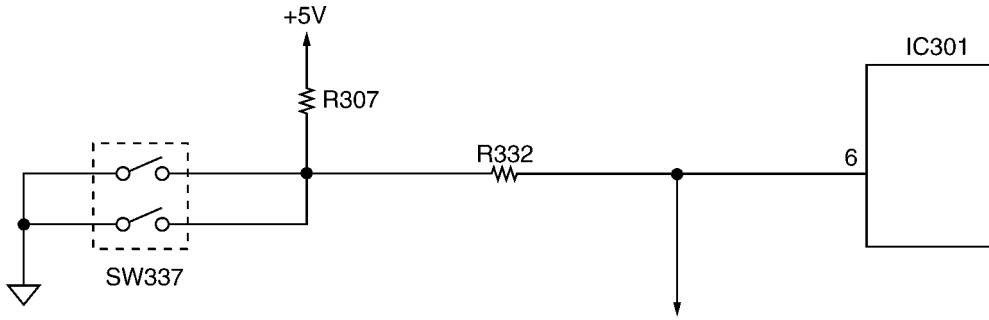
See **10Test Mode** (P.60). (#815: Sensor Check)

Sensor Locations



6.5.1. Document Top Sensor (SW337)

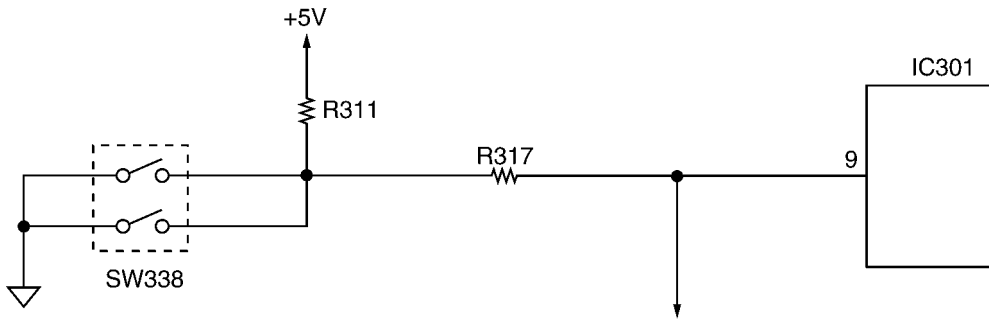
When a document is brought to the read position, the SW turns ON, and the input signal of IC301-6 pin (Operation Board) becomes a low level. When there is no document at the read position, the SW turns OFF, and the input signal of IC301-6 pin (Operation Board) becomes a high level.



	SW	Signal (IC301-6 pin)
Out of the Read Position	OFF	High level
At the Read Position	ON	Low level

6.5.2. Document Set Sensor (SW338)

When a document is set, the SW turns ON, and the input signal of IC301-9 pin (Operation Board) becomes a low level. When there is no document, the SW turns ON, and the input signal of IC301-9 pin (Operation Board) becomes a high level.



	SW	Signal (IC301-9 pin)
No document	OFF	High level
Set document	ON	Low level

6.5.3. PAPER TOP SENSOR (PS401)

When the recording paper is loaded on the print head, the shelter plate shuts the sensor light, and the photo transistor turns OFF. The input signal of IC5-65 pin becomes a high level. Usually, the shelter plate is lifted, the photo transistor turns ON, and the input signal of IC1-102 pin becomes a low level.

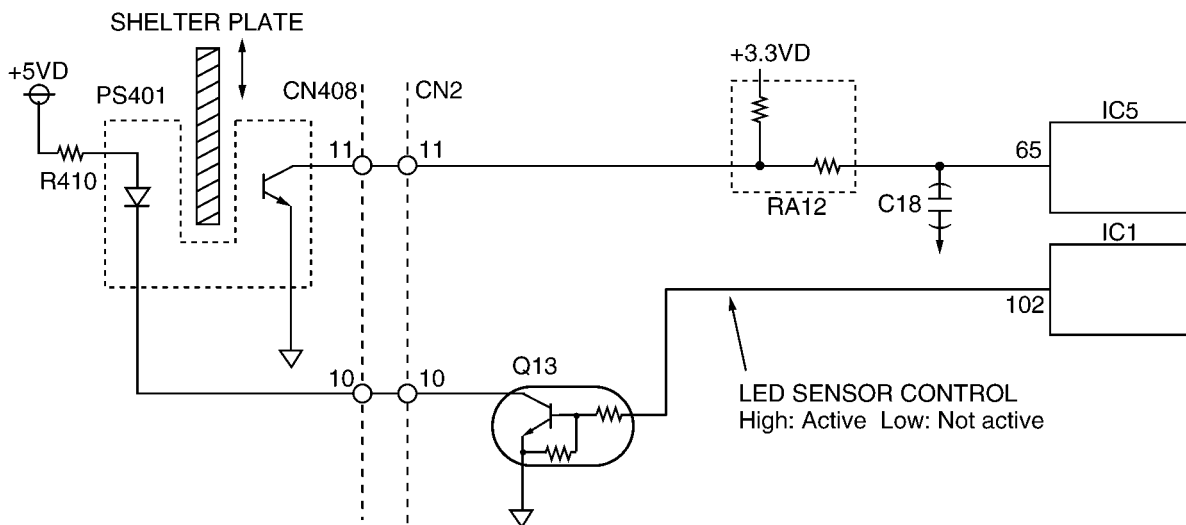
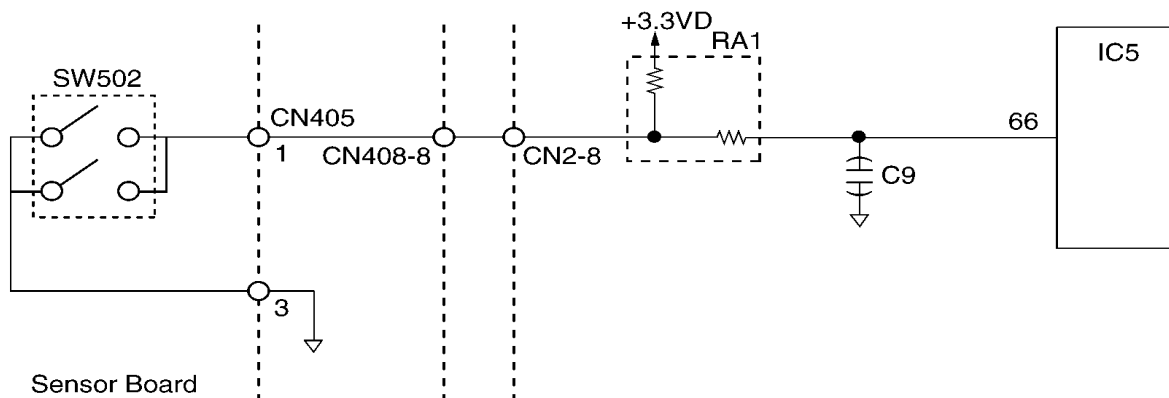


	Photo transistor	Signal (IC1-19 pin)
Recording paper top	OFF	High level
No recording paper	ON	Low level

6.5.4. Cover Open Sensor (SW502)

When the u-TURN BLOCK is closed, the SW becomes ON, and the input signal of IC1-131 pin (Digital Board) becomes a low level. When the cover is opened, the SW becomes OFF, and the input signal of IC1-131 (Digital Board) pin becomes a high level.

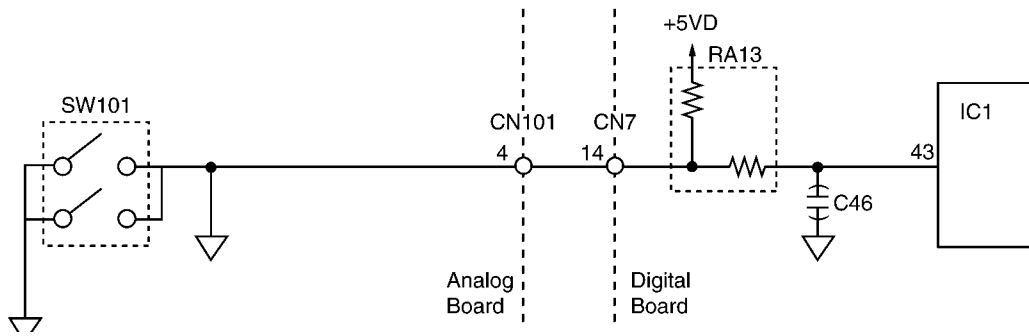


	SW	Signal (IC5-66 pin)
Cover is opened	OFF	High level
Cover is closed	ON	Low level

6.5.5. Hook Switch (SW101)

When the handset is lifted, the switch turns ON, and the signal at pin 43 of IC1 becomes low.

When the handset is returned, the switch turns OFF, and the signal at pin 43 of IC1 becomes high.



	SW	Signal (IC1-43 pin)
ON-Hook	ON	Low level
OFF-Hook	OFF	High level

6.6. Modem Section

6.6.1. Function

The unit uses a 1 chip modem (IC5) that serves as an interface between the control section for FAX transmission and reception and the telephone line. During a transmitting operation, the digital image signals are modulated and sent to the telephone line. During a receiving operation, the analogue image signals which are received via the telephone line are demodulated and converted into digital image signals. The communication format and procedures for FAX communication are standardized by ITU-T. This 1 chip modem (IC5) has hardware which sends and detects all of the necessary signals for FAX communication. It can be controlled by writing commands from the CPU (IC1: inside ASIC) to the register in the modem (IC5). This modem (IC5) also sends DTMF signals, and detects a busy tone and dial tones.

Overview of Facsimile Communication Procedures (ITU-T Recommendation):

1. ON CCITT (International Telegraph and Telephone Consultative Committee)

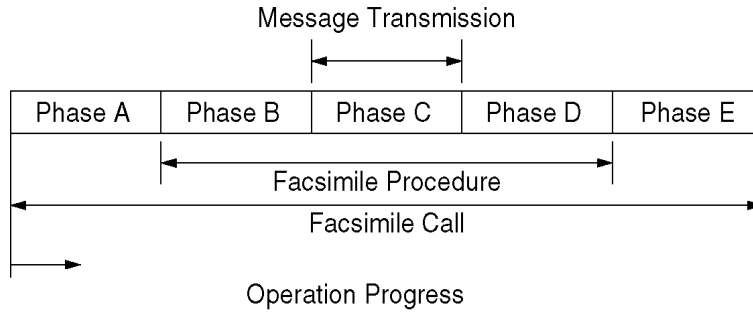
The No. XIV Group of ITU-T, one of the four permanent organizations of the International Telecommunications Union (ITU), investigates and make recommendations on international standards for facsimiles.

2. Definition of Each Group

- Group I (G1)
Official A-4 size documents without using formats which reduce the band width of a signal are sent over telephone lines. Determined in 1968.
Transmission for about 6 minutes at a scanning line density of 3.85 lines/mm.
- Group II (G2)
Using reduction technology in the modulation/demodulation format, an A-4 size document is sent at an official scanning line density of 3.85 lines/mm for about 3 minutes.
Methods to suppress redundancy are not used.
Determined in 1976.
- Group III (G3)
Method of suppressing redundancy in the image signal prior to modulation is used. An A-4 size document is sent within about one minute.
Determined in 1980.
- Group IV (G4)
Transmission is via the data network. A method is provided for suppressing redundancy in signals prior to transmission, and error-free reception of transmission is possible.
The scope of these facsimile applications is not limited simply to transmission of written statements. Through symbiotic linkages with other communication methods, it can be expected to expand to include integrated services.

3. Facsimile Call Time Series

As shown in the following diagram, the facsimile call time series is divided into five phases.



Phase A: Call setting

Call setting can be manual/automatic.

Phase B: Pre-message procedure

Phase B is a pre-processing procedure and sequence for confirming the status of the terminal, transmission route, etc., and for terminal control. It implements terminal preparation status, determines and displays terminal constants, confirms synchronization status, etc. and prepares for transmission of facsimile messages.

Phase C: Message transmission

Phase C is the procedure for the transmitting facsimile messages.

Phase D: Post message procedure

Phase D is the procedure for confirming that the message is completed and received. For continuous transmission, phase B or phase C is repeated for transmission.

Phase E: Call retrieval

Phase E is the procedure for call retrieval, that is for circuit disconnection.

4. Concerning Transmission Time

$$\text{Transmission Time} = \text{Control Time} + \text{Image Transmission Time} + \text{Hold Time}$$

Transmission time consists of the following.

Control time:

This is time at the start of transmission when the functions at the sending and receiving sides are confirmed, the transmission mode is established, and transmission and reception are synchronized.

Image transmission time:

This is the time required for the transmission of document contents (image data). In general, this time is recorded in the catalog, etc.

Hold time:

This is the time required after the document contents have been sent to confirm that the document was actually sent, and to check for telephone reservations and/or the existence of continuous transmission.

5. Facsimile Standards

Item	Telephone Network Facsimile
	G3 Machine
Connection Control Mode	Telephone Network Signal Mode
Terminal Control Mode	T. 30 Binary
Facsimile Signal Format	Digital
Modulation Mode	PSK (V. 27 ter) or QAM (V. 29)
Transmission Speed	300 bps (Control Signal) 2400, 4800, 7200, 9600bps (FAX Signal)
Redundancy Compression Process (Coding Mode)	1 dimension: MH Mode 2 dimension: MR Mode (K=2.4) , MMR
Resolution	Main Scan: 8 pel/mm Sub Scan: 3.85, 7.7l/mm
Line Synchronization Signal	EOL Signal
1 Line Transmission Time [ms/line]	Depends on the degree of data reduction. Minimum Value: 10, 20 Can be recognized in 40ms.

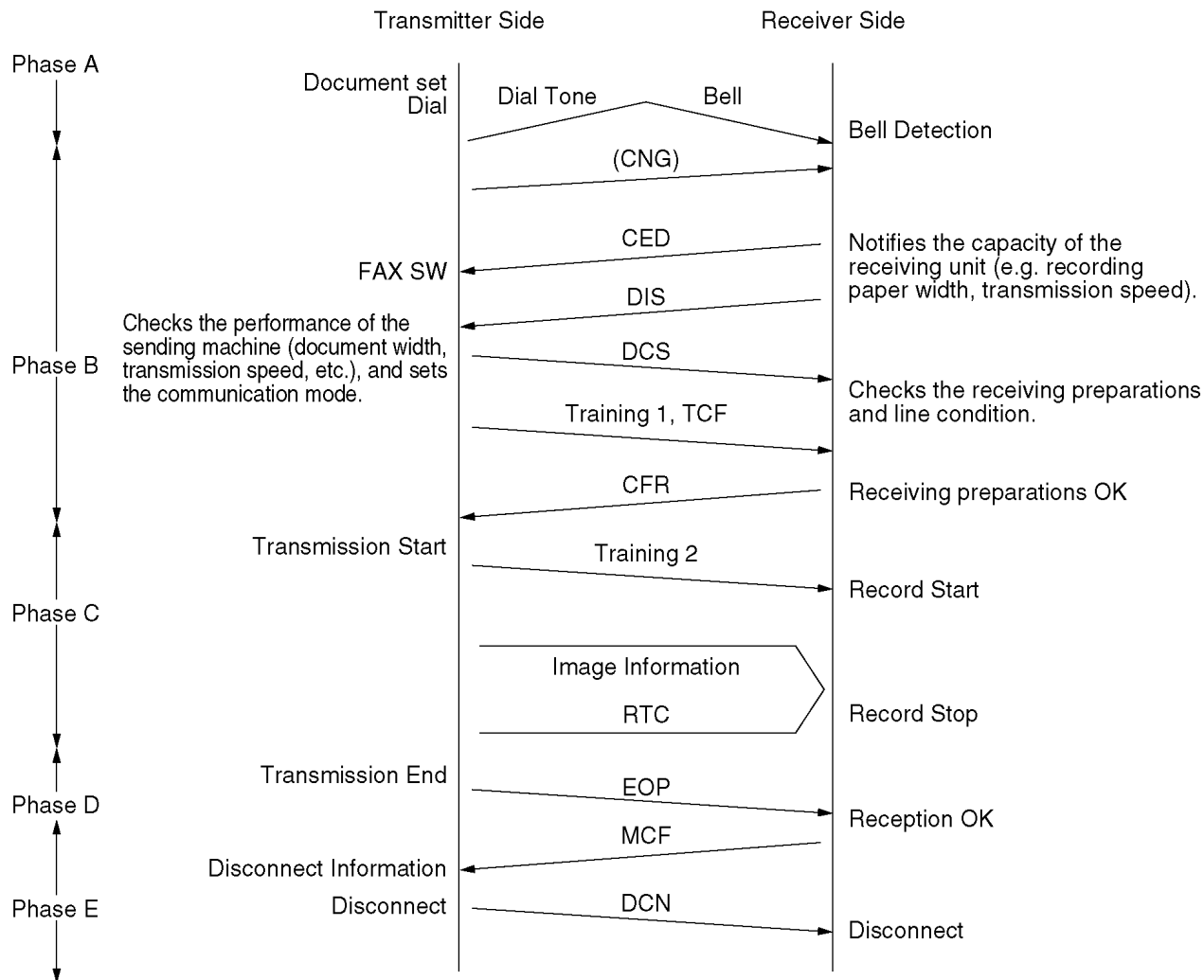
6. Explanation of Communication and Compression Technology

a. G3 Communication Signals (T. 30 Binary Process)

For G3 Facsimile communication, this is the procedure for exchanging control signals between the sending and receiving machines both before and after transmission of image signals.

Control signals at 300 bps FSK are: 1850 Hz...0, 1650Hz...1.

An example of a binary process in G3 communication is shown below.



Explanation of Signals

Control signals are comprised mainly of 8-bit identification signals and the data signals added to them. Data signals are added to DIS and DCS signals.

Signal.....DIS (Digital Identification Signal)

Identification Signal Format.....00000001

Function:

Notifies the capacity of the receiving unit. The added data signals are as follows.

Signal.....DCS (Digital Command Signal)

Identification Signal Format.....X1000001

Example (Some models do not support the following items.):

Bit No.	DIS/DTC	DCS
1	Transmitter --- T.2 operation	
2	Receiver --- T.2 operation	Receiver --- T.2 operation
3	T.2 IOC = 176	T.2 IOC = 176
4	Transmitter --- T.3 operation	
5	Receiver --- T.3 operation	Receiver --- T.3 operation
6	Reserved for future T.3 operation features	
7	Reserved for future T.3 operation features.	
8	Reserved for future T.3 operation features.	
9	Transmitter --- T.4 operation	

Bit No.	DIS/DTC	DCS
10	Receiver --- T.4 operation	Receiver --- T.4 operation
11,12,13,14	Data signaling rate	Data signaling rate
0,0,0,0	V.27 ter fall back mode	2400 bit/s, V.27 ter
0,1,0,0	V.27 ter	4800 bit/s, V.27 ter
1,0,0,0	V.29	9600 bit/s, V.29
1,1,0,0	V.27 ter and V.29	7200 bit/s, V.29
0,0,1,0	Not used	14400 bit/s, V.33
0,1,1,0	Reserved	12000 bit/s, V.33
1,0,1,0	Not used	Reserved
1,1,1,0	V.27 ter and V.29 and V.33	Reserved
0,0,0,1	Not used	14400 bit/s, V.17
0,1,0,1	Reserved	12000 bit/s, V.17
1,0,0,1	Not used	9600 bit/s, V.17
1,1,0,1	V.27 ter and V.29 and V.33 and V.17	7200 bit/s, V.17
0,0,1,1	Not used	Reserved
0,1,1,1	Reserved	Reserved
1,0,1,1	Not used	Reserved
1,1,1,1	Reserved	Reserved
15	R8×7.7 lines/mm and/or 200×200 pels/25.4mm	R8×7.7 lines/mm and/or 200×200 pels/25.4mm
16	Two-dimensional coding capability	Two-dimensional coding capability
17, 18	Recording width capabilities	Recording width
(0, 0)	1728 picture elements along scan line length of 215 mm ± 1%	1728 picture elements along scan line length of 215 mm ± 1%
(0, 1)	1728 picture elements along scan line length of 215 mm ± 1%	2432 picture elements along scan line length of 303 mm ± 1%
	2048 picture elements along scan line length of 255 mm ± 1%	
	2432 picture elements along scan line length of 303 mm ± 1%	
(1, 0)	1728 picture elements along scan line length of 215 mm ± 1%	2048 picture elements along scan line length of 255 mm ± 1%
	2048 picture elements along scan line length of 255 mm ± 1%	
(1, 1)	Invalid	Invalid
19, 20	Maximum recording length capability	Maximum recording length
(0, 0)	A4 (297 mm)	A4 (297 mm)
(0, 1)	Unlimited	Unlimited
(1, 0)	A4 (297 mm) and B4 (364 mm)	B4 (364 mm)
(1, 1)	Invalid	Invalid
21, 22, 23	Minimum scan line time capability of the receiver	Minimum scan line time
(0, 0, 0)	20 ms at 3.85 l/mm: $T_{7.7} = T_{3.85}$	20 ms
(0, 0, 1)	40 ms at 3.85 l/mm: $T_{7.7} = T_{3.85}$	40 ms
(0, 1, 0)	10 ms at 3.85 l/mm: $T_{7.7} = T_{3.85}$	10 ms
(1, 0, 0)	5 ms at 3.85 l/mm: $T_{7.7} = T_{3.85}$	5 ms
(0, 1, 1)	10 ms at 3.85 l/mm: $T_{7.7} = 1/2 T_{3.85}$	
(1, 1, 0)	20 ms at 3.85 l/mm: $T_{7.7} = 1/2 T_{3.85}$	
(1, 0, 1)	40 ms at 3.85 l/mm: $T_{7.7} = 1/2 T_{3.85}$	
(1, 1, 1)	0 ms at 3.85 l/mm: $T_{7.7} = T_{3.85}$	0 ms
24	Extend field	Extend field
25	2400 bit/s handshaking	2400 bit/s handshaking
26	Uncompressed mode	Uncompressed mode
27	Error correction mode	Error correction mode
28	Set to "0".	Frame size 0 = 256 octets 1 = 64 octets
29	Error limiting mode	Error limiting mode
30	Reserved for G4 capability on PSTN	Reserved for G4 capability on PSTN
31	T.6 coding capability	T.6 coding enabled
32	Extend field	Extend field
33	Validity of bits 17, 18	Recording width
(0)	Bits 17, 18 are valid	Recording width indicated by bits 17, 18
(1)	Bits 17, 18 are invalid	Recording width indicated by this field bit information
34	Recording width capability 1216 picture elements along scan line length of 151 ± mm 1%	Middle 1216 elements of 1728 picture elements
35	Recording width capability 864 picture elements along scan line length of 107 ± mm 1%	Middle 864 elements of 1728 picture elements
36	Recording width capability 1728 picture elements along scan line length of 151 ± mm 1%	Invalid
37	Recording width capability 1728 picture elements along scan line length of 107 ± mm 1%	Invalid
38	Reserved for future recording width capability.	

Bit No.	DIS/DTC	DCS
39	Reserved for future recording width capability.	
40	Extend field	Extend field
41	R8×15.4 lines/mm	R8×15.4 lines/mm
42	300×300 pels/25.4 mm	300×300 pels/25.4 mm
43	R16×15.4 lines/mm and/or 400×400 pels/25.4 mm	R16×15.4 lines/mm and/or 400×400 pels/25.4 mm
44	Inch based resolution preferred	Resolution type selection "0": neritic based resolution "1": inch based resolution
45	Metric based resolution preferred	Don't care
46	Minimum scan line time capability for higher resolutions "0": $T_{15.4} = T_{7.7}$ "1": $T_{15.4} = 1/2T_{7.7}$	Don't care
47	Selective Polling capability	Set to "0".
48	Extend field	Extend field

Note 1 - Standard facsimile units conforming to T.2 must have the following capability: Index of cooperation (IOC)=264.

Note 2 - Standard facsimile units conforming to T.3 must have the following capability: Index of cooperation (IOC)=264.

Note 3 - Standard facsimile units conforming to T.4 must have the following capability: Paper length=297 mm.

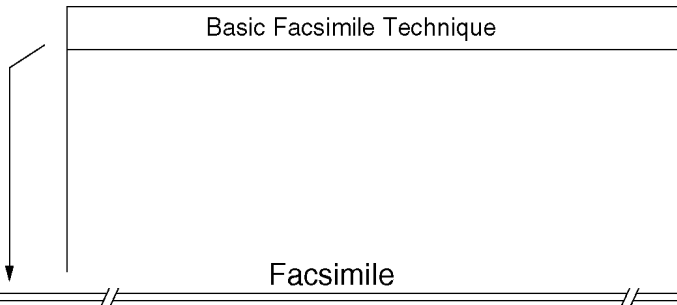
Signal	Identification Signal Format	Function
Training 1	_____	A fixed pattern is transmitted to the receiving side at a speed (2400 to 14400 bps) designated by DCS, and the receiving side optimizes the automatic equalizer, etc., according to this signal.
TCF (Training Check)	_____	Sends 0 continuously for 1.5 seconds at the same speed as the training signal.
CFR (Confirmation to Receive)	X0100001	Notifies the sending side that TCF has been properly received. If TCF is not properly received, FTT (Failure To Train) X0100010 is relayed to the sender. The sender then reduces the transmission speed by one stage and initiates training once again.
Training 2	_____ 2	Used for reconfirming the receiving side like training 1.
Image Signal	Refer to the next page.	_____
RTC (Return to Control)	_____	Sends 12 bits (0...01 × 6 times) to the receiver at the same speed as the image signal and notifies completion of transmission of the first sheet.
EOP (End of Procedure)	X1110100	End of one communication
MCF (Message Confirmation)	X0110001	End of 1 page reception
DCN (Disconnect)	X1011111	Phase E starts.
MPS (Multi-Page Signal)	X1110010	Completion of transmission of 1 page. If there are still more documents to be sent, they are output instead of EOP. After MCF reception, the sender transmits an image signal of the second sheet.
PRI-EOP (Procedural Interrupt-EOP)	X1111100	If there is an operator call from the sender, it is output after RTC.
PIP (Procedural Interrupt Positive)	X0110101	This is output when an operator call is received.

b. Redundancy Compression Process Coding Mode

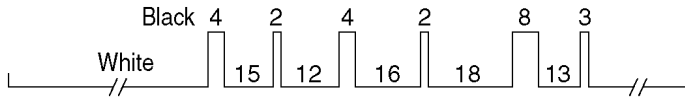
This unit uses one-dimensional MH format.

Modified Huffman (MH) Code		
Run length	Code for White Line	Code for Black Line
0	00110101	000011011
1	000111	010
2	0111	11
3	1000	10
4	1011	011
5	1100	0011
6	1110	0010
7	1111	00011
8	10011	000101
9	10100	000100
10	00111	0000100
11	01000	0000101
12	001000	0000111
13	000011	00000100
14	110100	00000111
15	110101	000011000
16	101010	0000010111
17	101011	0000011000
18	0100111	0000001000

(a) Document



(b) Part of document



(c) Run length and image signals equivalent to (b)

(d) Codification of (c) according to MH formula

00110111101010 (White 400) 011 (Black 4) 110101 (White 15) 11 (Black 2) 001000 (White 12) 011 (Black 4) 101010 (White 16)

11 (Black 2) 0100111 (White 18) 000101 (Black 8) 000011 (White 13) 10 (Black 3)

- (c) Total bit number before MH codification (497 bit)
- (d) Total bit number after MH codification (63 bit)

6.6.2. Modem Circuit Operation

The modem (IC5) has all the hardware satisfying the CCITT standards mentioned previously.

When the ASIC IC1 (61) is brought to a low level, the modem (IC5) is chip-selected and the resistors inside IC are selected by the select signals from ASIC (IC1) ADR0-ADR4. The commands are written through the data bus, and all the processing is controlled by the ASIC (IC1) according to CCITT procedures. The INT signal dispatched from IRQn (pin 100 of IC5) to ASIC (IC1) when the transmission data is accepted and the received data is demodulated, the ASIC (IC1) implements post processing. This modem (IC5) has an automatic application equalizer.

With training signal 1 or 2 during G3 reception, it can automatically establish the optimum equalizer. The modem (IC5) operates using the 32.256 MHz clock (X4).

1. Facsimile Transmission

The digital image data on the data bus is modulated in the modem (IC5), and sent from pin 56 via Analogue SW IC11, amplifier IC10 and the NCU section to the telephone line.

Refer to **12.5.6.1. Check Sheet for Signal Route** (P.124).

2. Facsimile Reception

The analogue image data which is received from the telephone line passes through the NCU section and enters pin 47 of the modem (IC5). The signals that enter pin 47 of the modem (IC5) are demodulated in the board to digital image signals, then placed on the data bus.

In this case, the image signals from the telephone line are transmitted serially. Hence, they are placed on the bus in 8 bit units. Here, the internal equalizer circuit reduces the image signals to a long-distance receiving level.

This is designed to correct the characteristics of the frequency band centered about 3 kHz and maintain a constant receiving sensitivity. It can be set in the service mode.

Refer to **12.5.6.1. Check Sheet for Signal Route** (P.124).

3. DTMF Transmission (Monitor tone)

The DTMF signal generated in the modem (IC5) is output from pin 56, and is then sent to the circuit on the same route as used for facsimile transmission.

Refer to **12.5.6.1. Check Sheet for Signal Route** (P.124).

(DTMF Monitor Tone)

Refer to **12.5.6.1. Check Sheet for Signal Route** (P.124).

4. Call Tone Transmission

This is the call signal which is generated in the ASIC (IC1) and sent to the speaker.

Refer to **12.5.6.1. Check Sheet for Signal Route** (P.124).

5. Busy/Dial Tone Detection

The path is the same as FAX receiving. When it is detected, the carrier detect bit of the resistor in the modem (IC5) becomes 1, and this status is monitored by the ASIC (IC1).

6. Caller ID Detection

The caller ID signal which is received from the telephone line/passes through IC101 pin (2-1). And it enters pin 50 of the modem (IC5).

6.7. NCU Section

6.7.1. General

NCU is the interface with the telephone line. It is composed of Bell detection circuit, Pulse dial circuit, Line amplifier and sidetone circuits. The following is a brief explanation of each circuit.

6.7.2. EXT. TEL. Line Relay (RLY101)

1. Circuit Operation

Normally, this relay switches to the external telephone side (break) and switches to the tel line side (make) while OFF-HOOK.

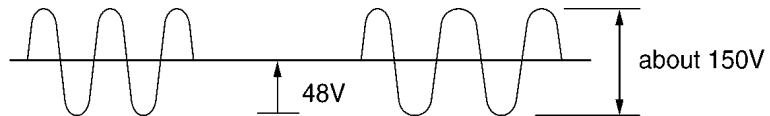
{ IC1 (44) High Level → CN7 (15) High Level } → CN101 (3) High Level → Q106 ON → RLY101 (make)

6.7.3. Bell Detection Circuit

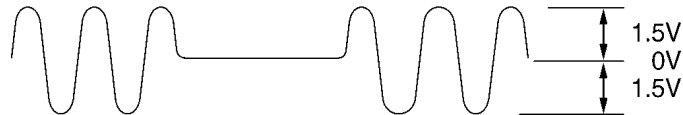
1. Circuit Operation

The signal waveform for each section is indicated below. The signal (low level section) input to pin 19 of ASIC IC1 on the digital board is illustrated.

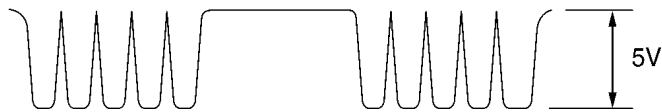
Between the Tip and Ring



Between PC102 (1) and (2)



PC102 (4)/ASIC IC1 (19)



TEL LINE → PC102 (1, 2 → 4) → IC1 (19): Bell

6.7.4. Pulse Dial Circuit and ON/OFF Hook Circuit

IC1 (130) → LOW LEVEL (MAKE) → Q106 ON (MAKE) → RLY101 ON (MAKE) → TEL LINE

IC1 (130) → HIGH LEVEL (BREAK) → Q106 OFF (BREAK) → RLY101 OFF (BREAK) → TEL LINE

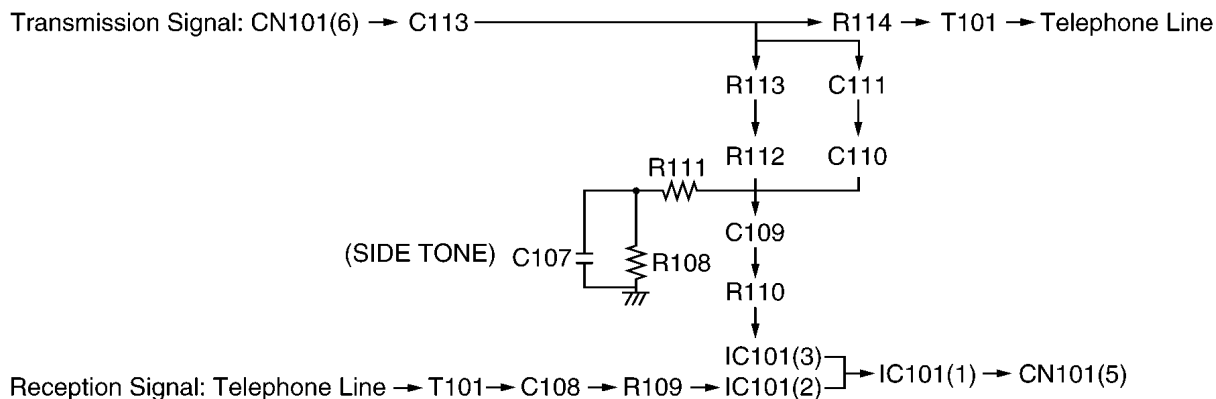
6.7.5. Line Amplifier and Side Tone Circuit

1. Circuit Operation

The reception signal output from the line transformer T101 is input to pin (2) of IC101 via C108 and R109 and then the signal is amplified at pin (2) of IC101 and sent to the reception system at 0dB.

The transmission signal is output from CN101 (6) and transmitted to T101 via R114. If the side tone circuit is not applied, the transmission signal will return to the reception amplifier via C108 and R109. When the side tone circuit is active, the signal output from IC101 pin (1) passes through R113, C110, C109 and R110 and goes into the amplifier IC101 pin (3). This circuit is used to cancel the transmission return signal.

Side Tone Circuit



6.7.6. Calling Line Identification Circuit (FSK)

1. Function

This unit is compatible with the Caller ID service offered by your local telephone company. To use this feature, you must subscribe to a Caller ID service. The data for the Caller ID from the telephone exchange is sent during the interval between the first and second rings of the bell signal. The data from the telephone exchange is a modem signal which is modulated in an FSK (Frequency Shift Keying) format. Data "0" is a 1200 Hz sine wave, and data 1 a 2200 Hz sine wave.

There are two type of the message format which can be received: i.e. the single data message format and multiple data message format.

The multiple data format allows to transmit the name and data code information in addition to the time and telephone number data.

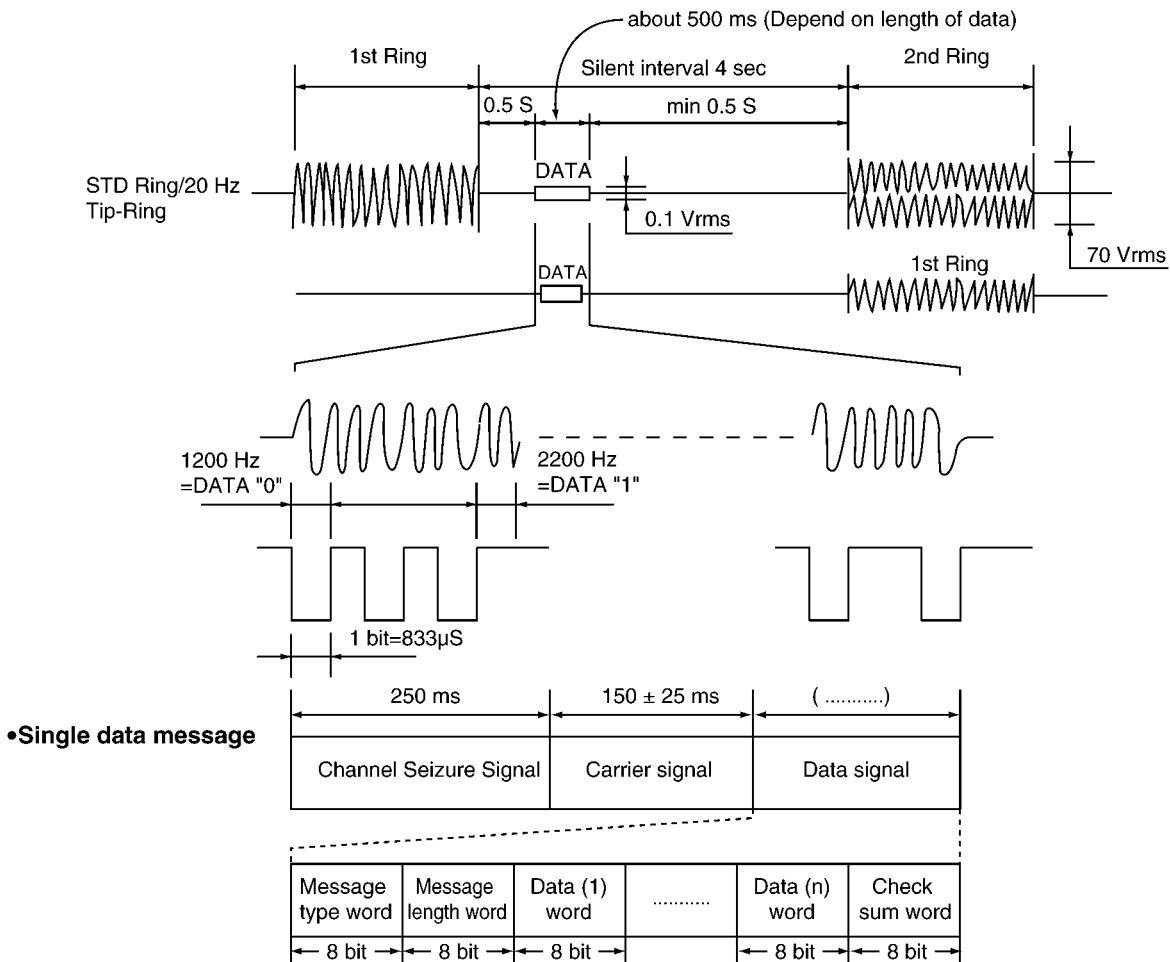
When there is multiple data in the unit, the name or telephone number are displayed.

2. Circuit Operation:

The Caller ID signal input from TEL LINE is processed with MODEM (IC5).

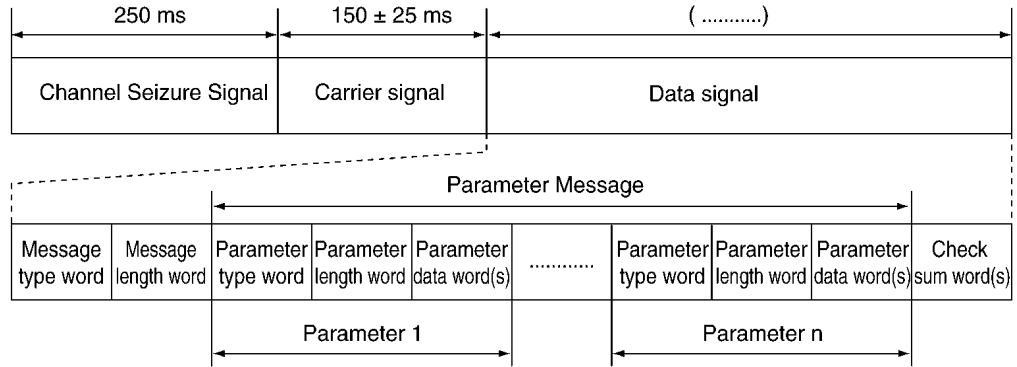
Refer to 12.5.6.1. Check Sheet for Signal Route (P.124) for the route of Caller ID signal.

Timing Chart



- 1 word = All 8 bit data
- Message Type Word = Fixed value "00000100"
- Message Length Word = number of the data word
- Data word = The data value (month, day, hour, minute, telephone number)

• Multiple data message



- 1 word = All 8 bit data
- Message Type = Fixed value "10000000"
- Message Length Word = number of the Parameter Message word
- Parameter Type Word = Kind of data (ex. the time, phone number)
- Parameter Length Word = number of the Parameter data word
- Parameter Word (s) = the data value

6.7.7. Calling Line Identification Circuit (DTMF)

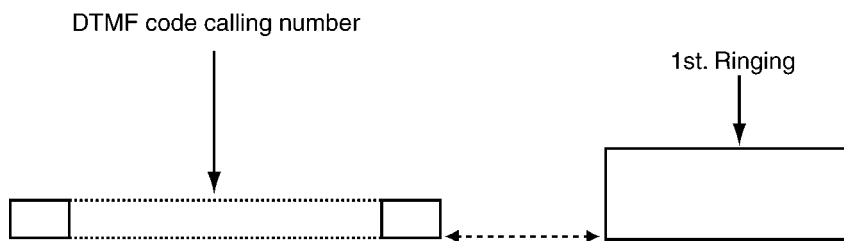
1. Function

This unit is compatible with the Caller ID service offered by your local telephone company. To use this feature, you must subscribe to a Caller ID service. The data for the Caller ID from the telephone exchange is sent before the first ring signal. The data from the telephone exchange is sent by DTMF signal.

2. Circuit Operation:

The Caller ID signal from TEL LINE is processed with MODEM (IC5). Refer to 12.5.6.1. Check Sheet for Signal Route (P.124) for the route of Caller ID (DTMF) signal.

Timing Chart



6.8. ITS (Integrated telephone System) and Monitor Section

6.8.1. General

The general ITS operation is performed by the special IC505 which has a handset circuit. The alarm tone, the key tone, and the beep are output from the ASIC IC1 (digital board). During the pulse dial operation, the monitor tone is output from the ASIC IC1.

6.8.2. Telephone Monitor

1. Function

This is the function when you are not holding the handset and can hear the caller's voice from the line.

2. Signal path

Refer to 12.5.6.1. Check Sheet for Signal Route (P.124).

6.8.3. Handset Circuit

1. Function

This circuit controls the conversation over the handset, i.e. the transmitted and received voices to and from the handset.

2. Signal path

Refer to **12.5.6.1.Check Sheet for Signal Route** (P.124).

6.8.4. Monitor Circuit for Each Signals

1. Function

This circuit monitors various tones, such as **1** DTMF tone, **2** Alarm/Beep/Key tone/Bell.

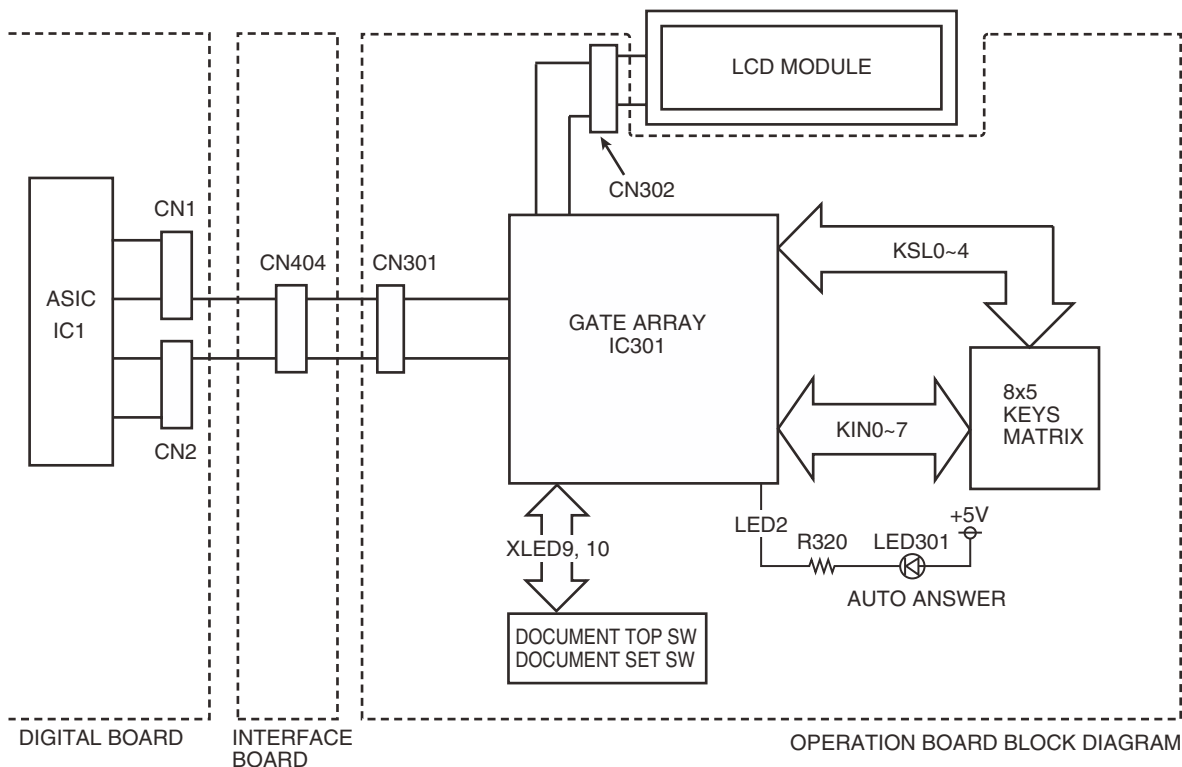
2. Signal path

Refer to **12.5.6.1.Check Sheet for Signal Route** (P.124).

6.9. Operation Board Section

The unit consists of a LCD (Liquid crystal display), KEYS and LEDs (light-emitting diodes). They are controlled by the Gate Array (IC301) and ASIC (IC1: on the Digital BOARD).

The key matrix table is shown below.



Key Matrix

1) Key Matrix

	KIN0	KIN1	KIN2	KIN3	KIN4	KIN5	KIN6	KIN7
KSL0	SW301 1	SW305 2	SW309 3	SW313 REDIAL/PAUSE	SW317 CALLER ID	SW322 SET	SW327 SKEY4	SW335 START
KSL1	SW304 4	SW306 5	SW310 6	SW314 FLASH	SW318 MENU	SW323 →	SW328 SKEY5	SW333 STOP
KSL2	SW302 7	SW307 8	SW311 9	SW315 HANDSET MUTE	SW319 ←	SW324 SKEY1	SW329 SKEY6	SW334 COPY
KSL3	/	/	/	SW336 BROADCAST	SW321 ↓	SW326 SKEY3	/	/
KSL4	SW303 *	SW308 0	SW312 #	SW316 MONITOR/ SP-PHONE	SW320 ↑	SW325 SKEY2	/	SW332 AUTO ANSWER

2) LED

LED2	AUTO ANSWER
------	-------------

LED Port Setting :
LED ON : Low , LED OFF : High

3) SENSOR

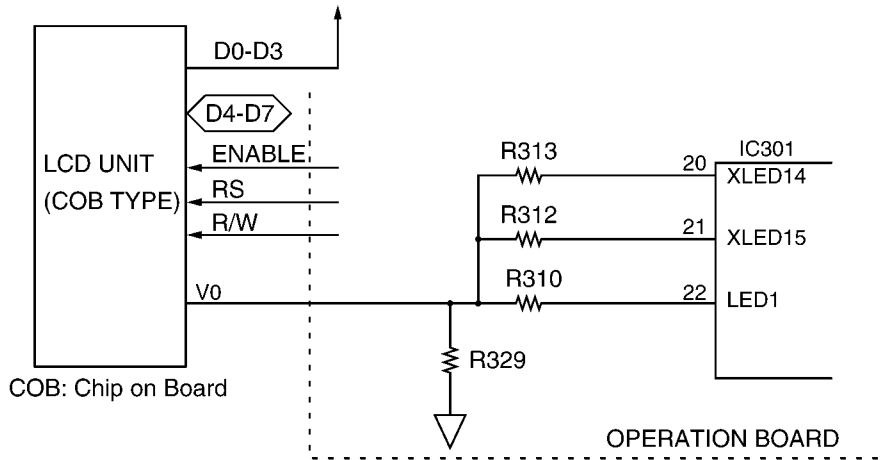
SENSOR Name	Type	Sensor Setting
DOCUMENT TOP	Mecha SW	XLED9 = High : DOCUMENT TOP undetect XLED9 = Low : DOCUMENT TOP detect
DOCUMENT SET	Mecha SW	XLED10 = High : DOCUMENT not available XLED10 = Low : DOCUMENT available

6.10. LCD Section

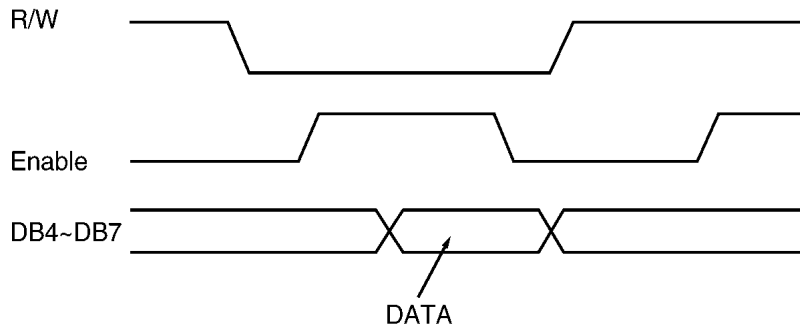
The Gate Array (IC301) works only for writing the ASCII code from the data bus (D4~D7). V0 is supplied for the crystal drive. R310, R312, R313 and R329 are density control resistors.

Consequently, in this unit, the timing (positive clock) is generated by the LCD interface circuitry in the gate array (IC301).

Circuit Diagram



Timing Chart

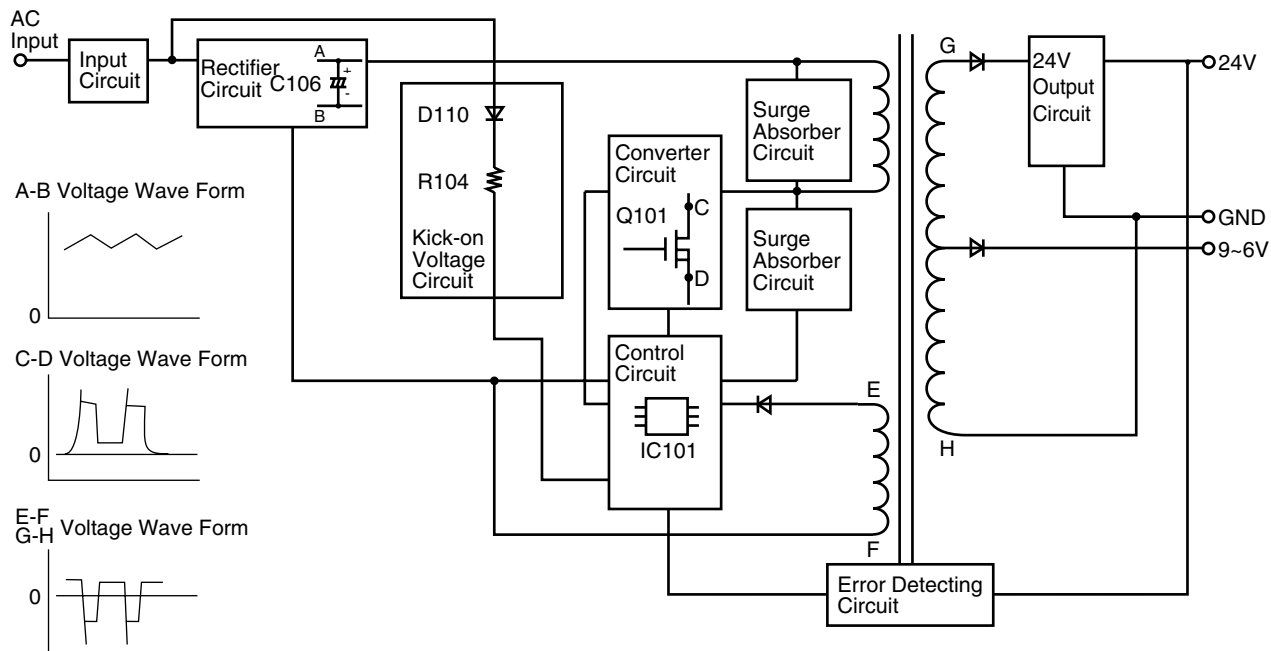


Display mode	Density	Normal	Dark
2 lines (X1.0)	LED1 (IC301-22pin)	H	L
	XLED15 (IC301-21pin)	L	L
	XLED14 (IC301-20pin)	Hi-Z	L
X1.5	LED1	H	H
	XLED15	Hi-Z	L
	XLED14	Hi-Z	Hi-Z

6.11. Power Supply Board Section

This power supply board uses the switching regulator method.

Block Diagram



[Input Circuit]

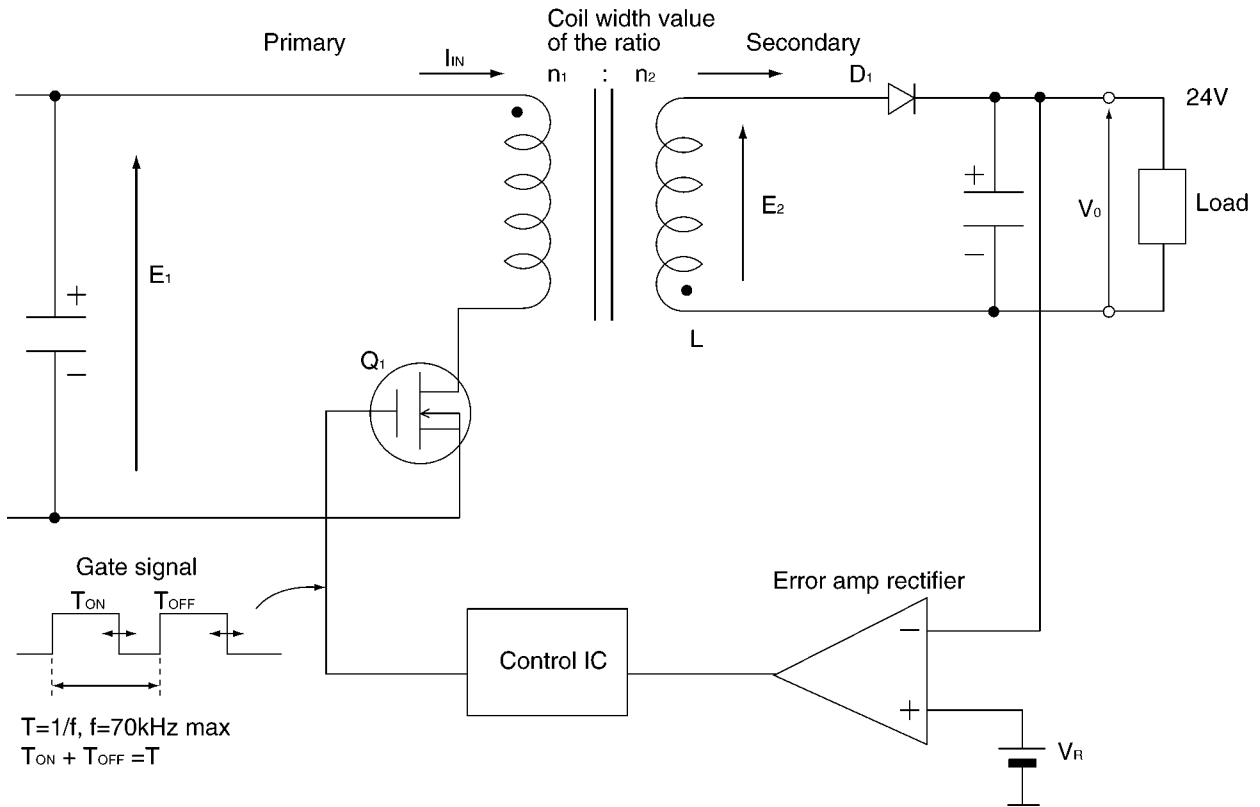
The input current goes into the input rectifier circuit through the filter circuit. The filter circuit decreases the noise voltage and the noise electric field strength.

[Rectifier Circuit]

The input current is rectified by D101, D102, D103 and D104 and charges C106 to make DC voltage. Then it supplies power to the converter circuit.

[Kick-on voltage circuit]

Bias is applied to the Q101 gate via this circuit when the AC power is turned on and Q101 begins operating.



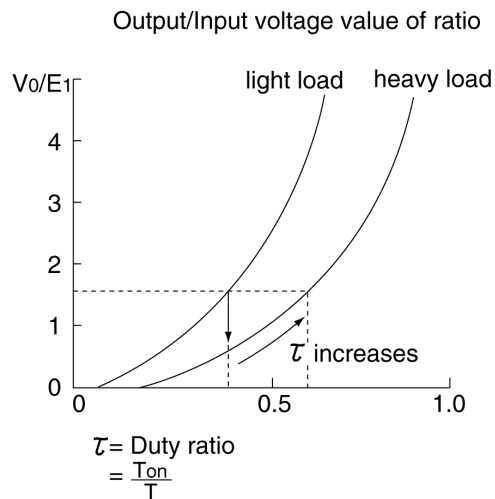
The following is an overview of how the power supply unit is controlled.
 The control method of this power supply unit is pulse width modulation.

When Q_1 is ON, the energy is charged in the transfer primary coil according to E_1 . When Q_1 is OFF, the energy is output from the secondary transfer as follows.

$L \rightarrow D_1 \rightarrow \text{Load} \rightarrow L$

Then the power is supplied to the Load. When Q_1 is ON, power is not output from the secondary side. The output voltage is fed back in the control IC according to the error amp rectifier. Then depending on how T_{ON} is controlled, stabilization occurs. Also, when the current load becomes too large, in order to decrease the voltage output, the increase in τ is controlled and the output voltage is stabilized.

Therefore, basically the timing: T_{on}/T_{off} of Q_1 controls the output voltage.



[Surge Absorber Circuit]

This circuit is for absorbing surge voltage generated by the transformer.

[Control Circuit and Detecting Circuit]

The control circuit amplifies the output with increased voltage detected in the error detecting circuit. Then it drives the main transistor.

In this power supply, the duty ratio is defined by changing the ON period of the main transistor.

This is shown as follows.

When the output voltage of the 24V circuit increases, the current of the photo coupler PC101 increases, the pulse width of the output control IC becomes narrower and the ON period of Q101 becomes shorter.

[Over Current Limiter (O.C.L)]

The highest drain current (Q101) is limited by a limiter circuit (IC101) of 24V. The 24V output is limited by this circuit.

[Over Voltage Circuit]

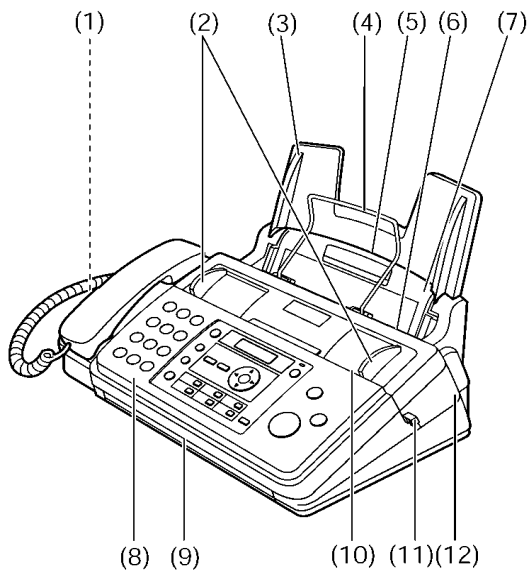
If the 24V output increases because the error detecting circuit or control circuit is broken, IC101 will recognize this signal and output becomes 0V.

Dummy load method (to quickly check the power supply output)

Refer to **12.5.7.Power Supply Board Section** (P.126).

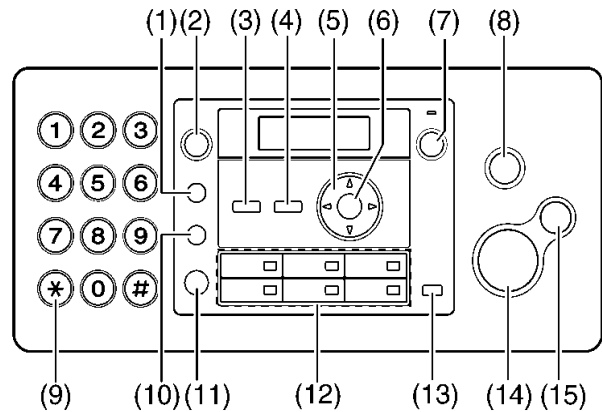
7 Location of Controls and Components

7.1. Overview



- (1) Speaker
- (2) Document guides
- (3) Paper tray
- (4) Paper support
- (5) Recording paper entrance
- (6) Recording paper exit
- (7) Tension plate
- (8) Front cover
- (9) Document exit
- (10) Document entrance
- (11) Green button (Back cover release button)
- (12) Back cover

7.2. Control Panel



- (1) **[FLASH]**
 - To access special telephone services or for transferring extension calls.
 - The flash time can be changed (feature #72 on P.99).
- (2) **[REDIAL] [PAUSE]**
 - To redial the last number dialed. If the line is busy when you make a phone call using the **[MONITOR]** button, or when you send a fax, the unit will automatically redial the number 2 or more times.
 - To insert a pause during dialing.
- (3) **[CALLER ID]**
 - To use Caller ID features.
- (4) **[MENU]**
 - To start or exit programming.
- (5) **Navigator key**
 - [+][=][▲][▼][◀][▶][PHONEBOOK][VOLUME]
 - To adjust volume.
 - To search for a stored item.
- (6) **[SET]**
 - To store a setting during programming.
- (7) **[AUTO ANSWER]**
 - To turn the auto answer setting ON/OFF.
- (8) **[STOP]**
 - To stop an operation or programming session.
 - To erase a character/number.
- (9) **[TONE]**
 - To change from pulse to tone temporarily during dialing when your line has rotary pulse service.
 - (Refer to **12.4.2. Program Mode Table** (P.99).)
- (10) **[HANDSET MUTE]**
 - To mute your voice during a conversation. Press again to resume the conversation.
- (11) **[MONITOR]**
 - To initiate dialing without lifting the handset.
- (12) **Station keys**
 - To use the one touch dial feature.
- (13) **[BROADCAST]**
 - To send a document to multiple parties.
- (14) **[FAX START]**
 - To send or receive a fax.

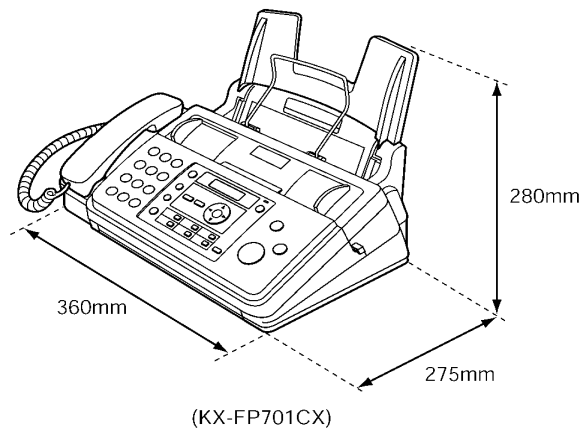
(15) [COPY]

- To copy a document.

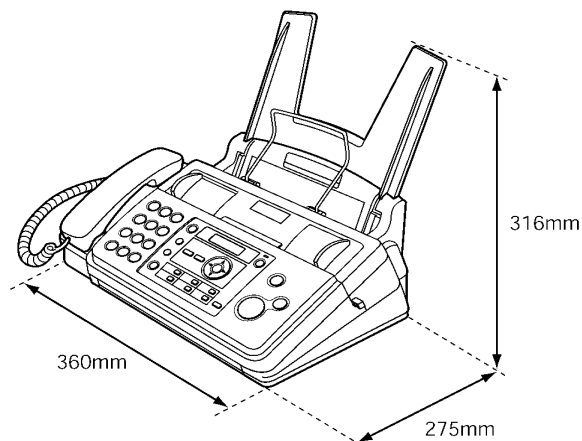
8 Installation Instructions

8.1. Installation Space

The space required to install the unit is shown below. The dimensions given are necessary for the unit to operate efficiently. (When the recording paper is not inserted to the unit.)



(KX-FP701CX)



(KX-FP702CX)

Note:

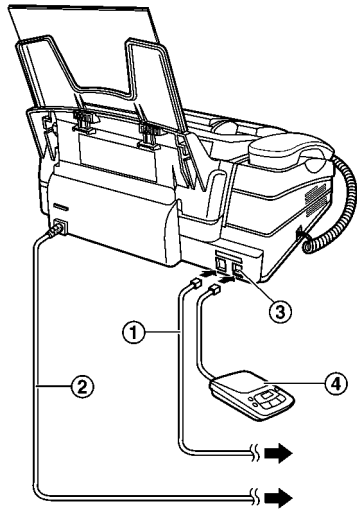
- Avoid excessive heat or humidity.
- Use the unit within the following ranges of temperature and humidity.
- Ambient temperature: 5°C to 35°C
- Relative humidity: 20% to 80% (without condensation)
- Avoid direct sunlight.
- Do not install near devices which contain magnets or generate magnetic fields.
- Do not subject the unit to strong physical shock or vibration.
- Keep the unit clean. Dust accumulation can prevent the unit from functioning properly.
- To protect the unit from damage, hold both sides when you move it.

8.2. Connections

Caution:

- When you operate this product, the power outlet should be near the product and easily accessible.

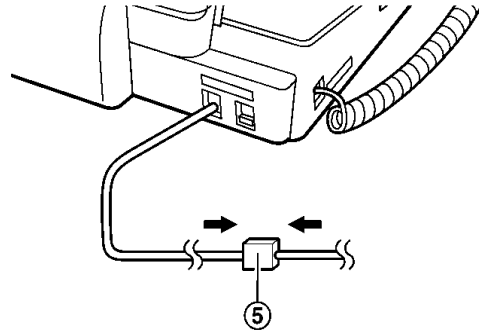
- ① Telephone line cord
 - Connect to a single telephone line jack.
- ② Power cord
 - Connect to a power outlet (220 - 240 V, 50/60 Hz).
- ③ [EXT] jack
 - You can connect an answering machine or a telephone. Remove the stopper if attached.
- ④ Answering machine (not included)



Note:

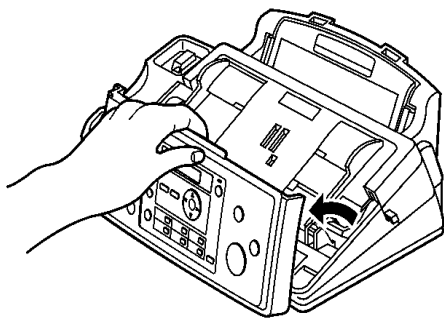
- To avoid malfunction, do not position the fax machine near appliances such as TVs or speakers which generate an intense magnetic field.
- If any other device is connected to the same telephone line, this unit may disturb the network condition of the device.

- If you use the unit with a computer and your internet provider instructs you to install a filter (⑤), please connect it as follows.



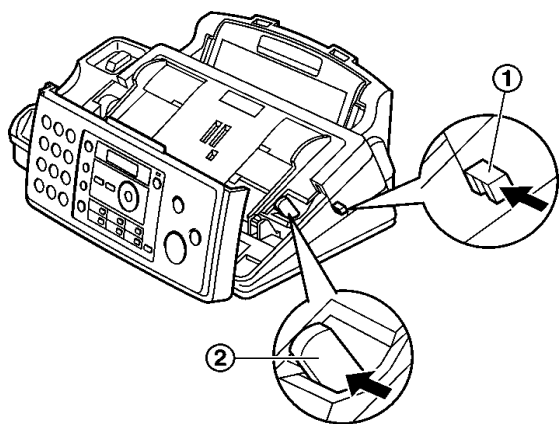
8.3. Installing the Ink Film

1. Open the front cover by pulling up the centre part.

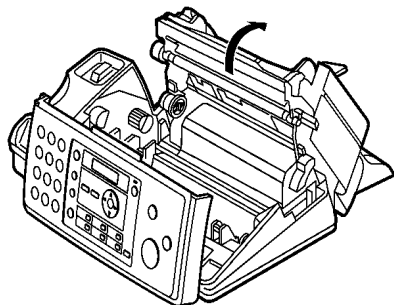


2. Release the back cover by pushing the green button (1).

- You can also release the back cover by pushing in the green lever (2).



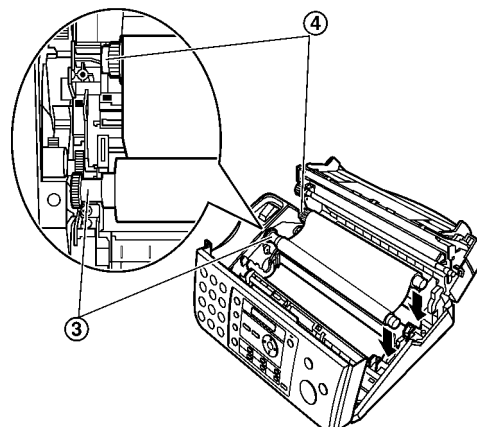
3. Open the back cover.



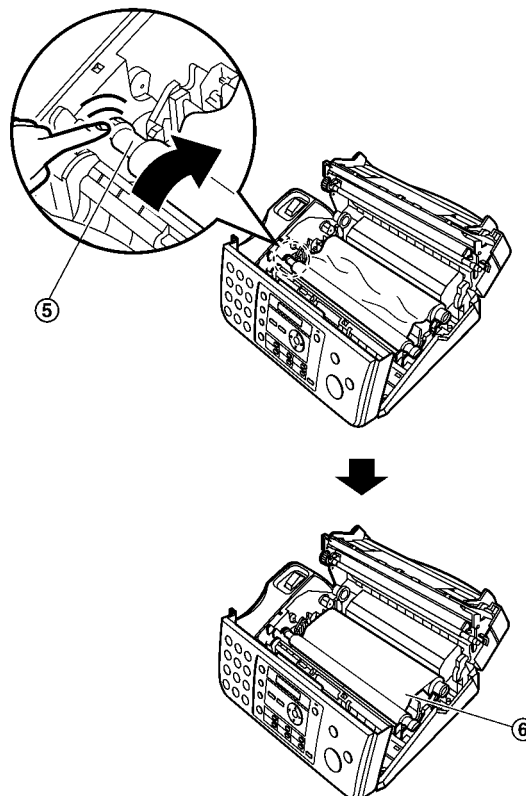
4. Insert the blue gear of the ink film roll into the front left slot of the unit (3) and the white gear of the ink film roll into the rear left slot of the unit (4).

- The ink film is safe to touch and will not rub off on your hands like carbon paper.

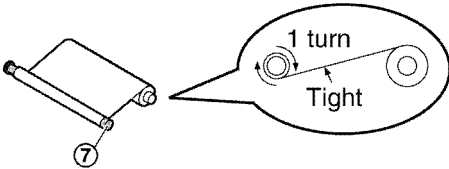
- Make sure the blue gear (3) and white gear (4) are installed as shown.



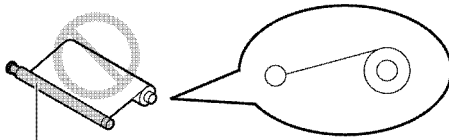
5. Turn the blue gear (5) in the direction of the arrow until the ink film is tight (6) and at least one layer of ink film is wrapped around the blue core (7).



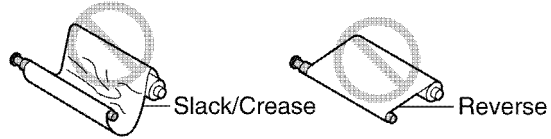
Correct



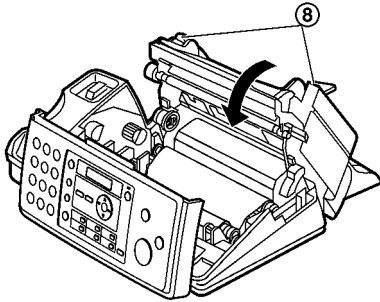
Incorrect



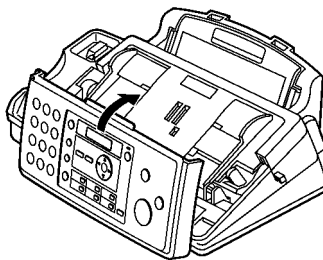
No ink film is wrapped around the blue core.



6. Close the back cover securely by pushing down on the dotted area at both ends (8).

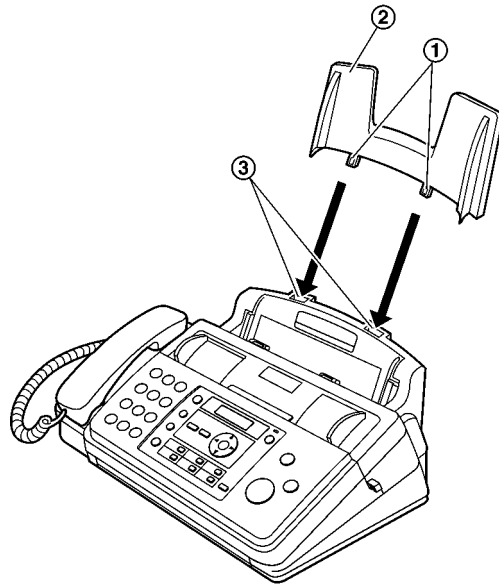


7. Close the front cover securely.



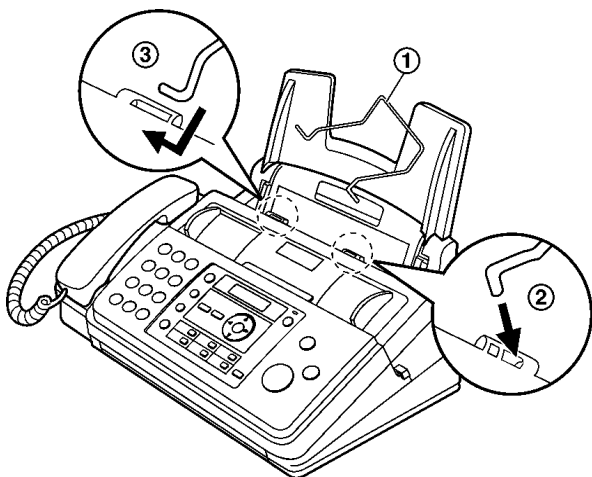
8.4. Installing the Paper Tray

Insert the tabs (1) on the paper tray (2) into the slots on the back of the unit (3).



8.5. Paper Support

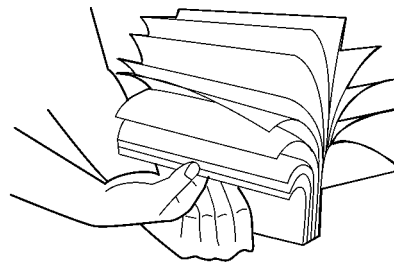
Insert the paper support (①) into the slot to the right of the recording paper exit (②), then into the left slot (③).



8.6. Installing the Recording Paper

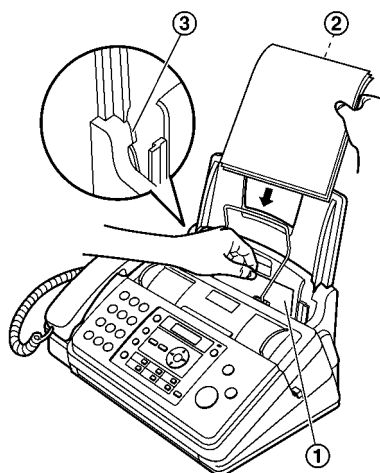
The unit can hold up to 50 sheets of 64 g/m² to 80 g/m² paper.

1. Fan the paper to prevent paper jams.



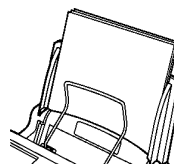
2. Pull the tension plate forward (①) and insert the paper gently, print-side down (②).

- The paper should not be over the tab (③).

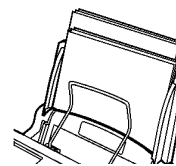


- If the paper is not inserted correctly, remove all of the installed paper, and re-install it gently. Otherwise the paper may jam.

Correct



Incorrect

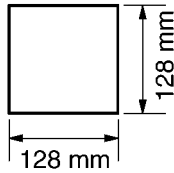


Note:

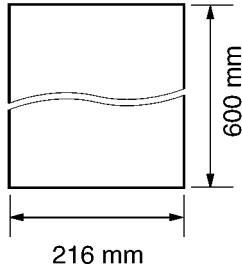
- Remove all of the installed paper before adding paper.

Document requirements

Minimum document size

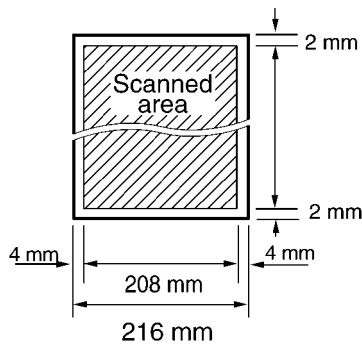


Maximum document size



Effective scanning area

• Shaded area will be scanned.



Document weight

- When faxing a single sheet:
45 g/m² to 90 g/m²
- When faxing a multiple sheet:
60 g/m² to 80 g/m²

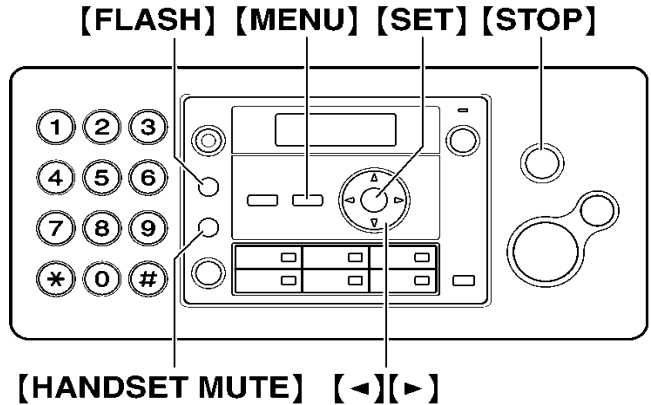
Note:

- Remove chips, staples or other fasteners.
- Do not send the following types of documents. (Make a copy of the document using another copier and send the copy.)
 - Chemically treated paper such as carbon or carbonless duplicating paper
 - Electrostatically charged paper
 - Badly curled, creased or torn paper
 - Paper with a coated surface
 - Paper with a faint image
 - Paper with printing on the opposite side that can be seen through the other side, such as newspaper
- Check that ink, paste or correction fluid has dried completely.
- To send a document with a width of less than 210 mm, we recommend using a copy machine to copy the original document onto A4 or letter-sized paper, then sending the copied document.

9 Operation Instructions

9.1. Setting Your Logo

You can program your logo (name, company name, etc.) so that it appears on the top of each page sent.



1. [MENU] → [#][0][2] → [SET]



2. Enter your logo, up to 30 characters. See the following character table for details. → [SET]
3. Press [MENU] to exit.

To select characters with the dial keypad

Keypad	Characters
[1]	Space # & ' () * , - . / 1
[2]	A B C 2 a b c 2
[3]	D E F 3 d e f 3
[4]	G H I 4 g h i 4
[5]	J K L 5 j k l 5
[6]	M N O 6 m n o 6
[7]	P Q R S 7 p q r s 7
[8]	T U V 8 t u v 8
[9]	W X Y Z 9 w x y z 9
[0]	Space 0

Keypad	Characters
[*]	To switch between uppercase or lowercase letters.
[FLASH]	Hyphen.
[HANDSET MUTE]	To insert a space.
[STOP]	To delete a character.

Note:

- To enter a character that is located on the same dial key as the previously entered character, you must first press **[▶]** to move the cursor to the next space.

To enter your logo

Example: "BILL"

- Press **[2]** 2 times.

LOGO=B

- Press **[4]** 3 times.

LOGO=BI

- Press **[5]** 3 times.

LOGO=BI

- Press **[▶]** to move the cursor to the next space and press **[5]** 3 times.

LOGO=BI L

To correct a mistake

Press **[◀]** or **[▶]** to move the cursor to the incorrect character, and make the correction.

- To erase all of the characters, press and hold **[STOP]**.

10 Test Mode

The codes listed below can be used to perform simple checks for some of the unit's functions. When complaints are received from customers, they provide an effective tool for identifying the locations and causes of malfunctions. To do this, you set the Service mode (Refer to **11.1.2.Operation Flow** (P.64).) first, then operate the below test items.

Test Mode	Type of Mode	Code	Function
		Operation after code input	
MEMORY CLEAR	Service Mode	"5" "5" "0"	Refer to 11.1.4.Memory Clear Specification (P.67).
		SET	
FLASH MEMORY CHECK	Service Mode	"5" "5" "1"	Indicates the version and checks the sum of the FLASH MEMORY.
		SET	
DTMF SINGLE TEST	Service Mode	"5" "5" "2"	Outputs the DTMF as single tones. Used to check the frequencies of the individual DTMF tones. Refer to 10.1.DTMF Signal Tone Transmit Selection (P.61).
		1...ON 2...OFF	
MODEM TEST	Service Mode	"5" "5" "4"	Telephone line circuit is connected automatically, output the following signals on the circuit line. 1) OFF 2) 9600bps 3)7200bps 4) 4800bps 5) 2400bps 6) 300bps 7) 2100Hz 8)1100Hz
		SET	
SCAN CHECK	Service Mode	"5" "5" "5"	Turns on the LEDs of the CIS and operates the read systems.
MOTOR TEST	Service Mode	"5" "5" "6"	Rotates the transmission and reception motor to check the operation of the motor. 00: Stop 13: TX 23: Pickup 33: Rx 43: Copy • Press [STOP] button to quit.
		SET	
LED CHECK	Service Mode	"5" "5" "7"	All LEDs above the operation panel board flash on and off, or are illuminated.
LCD CHECK	Service Mode	"5" "5" "8"	Checks the LCD indication. Illuminates all the dots to check if they are normal.
		SET	
KEY CHECK	Service Mode	"5" "6" "1"	Checks the button operation except "STOP" key. Indicates the button code on the LCD while the button is pressed. Refer to 10.2.Button Code Table (P.62).
		START (any key)	
MEMORY CLEAR (except History data)	Service Mode	"7" "1" "0"	Refer to 11.1.4.Memory Clear Specification (P.67).
		SET	
SENSOR CHECK & VOX CHECK	Service Mode	"8" "1" "5"	If you enter this mode and operate sensor levers with your hands, the LCD display of the related sensor (or switch) turns ON / OFF. Also, when copying a document, the related sensor will turn ON / OFF. (Do, Sn, Co, Pt, Vx) For each sensor's operation, refer to 6.5.Sensors and Switches (P.31). <u>Do Sn Co Pt Vx</u> : LCD DISPLAY Do: Document set sensor :Turns on when the front cover is opened and a document is inserted. Sn: Read position sensor. :Turned on when the front cover is opened and starts to read a document. Co: Cover open sensor :Turned off when the cover is opened. Pt: Paper top sensor :Turned on when the cover is opened and detects a recording paper on the right side end. Vx: Vox signal :Detection signal for the tone on the line. Turns on when there is a tone signal on the line. • Press [STOP] button to quit.
PRINT TEST PATTERN	Service Mode	"8" "5" "2"	Prints out the test pattern. Used mainly at the factory to test the print quality. You can select 1~4. (See 10.3.Print Test Pattern (P.63))

Note:

The numbers in the boxes (XXX) indicate the keys to be input for the various test modes.

10.1. DTMF Signal Tone Transmit Selection

When set to ON (=1), the 12 keys and transmission frequencies are as shown.

key	High Frequency (Hz)	key	Low Frequency (Hz)
"1"	697	"5"	1209
"2"	770	"6"	1336
"3"	852	"7"	1477
"4"	941	"8"	1633

When set to OFF (=2), the 12 keys and transmission frequencies are as shown.

High (Hz) Low (Hz)	1209	1336	1477
697	"1"	"2"	"3"
770	"4"	"5"	"6"
852	"7"	"8"	"9"
941	"✕"	"0"	"#"

Note:

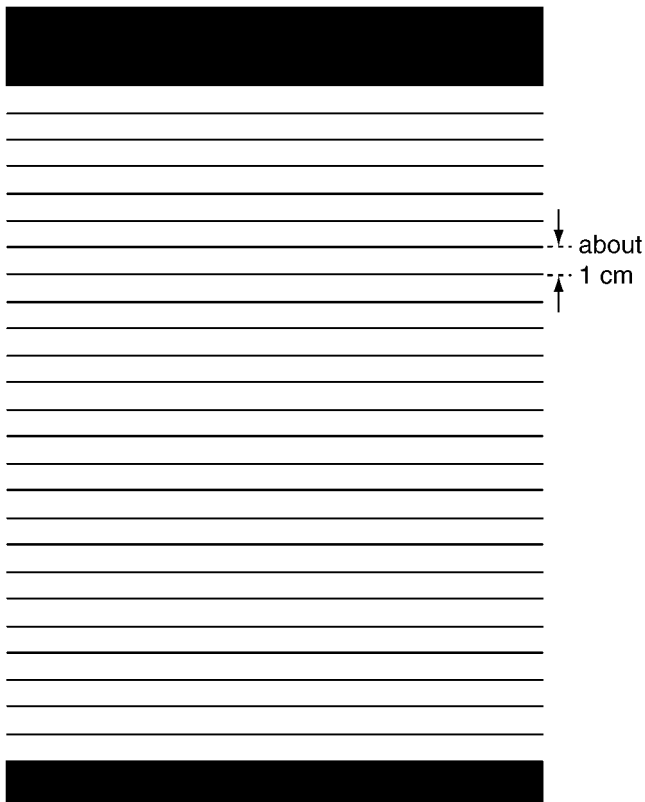
After performing this check, do not forget to turn the setting off. Otherwise, dialing in DTMF signal will not work.

10.2. Button Code Table

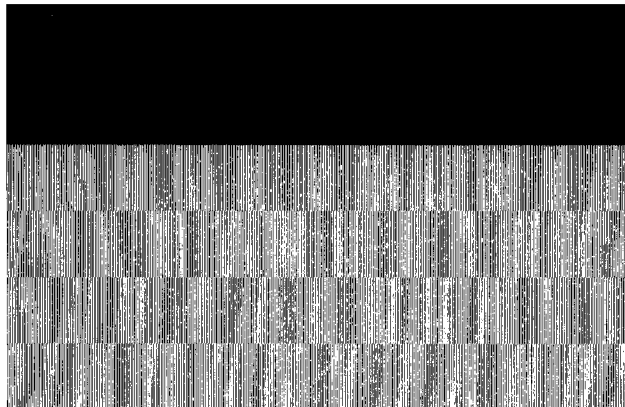
Code	Button Name	Code	Button Name	Code	Button Name
00	NO INPUT	64	STATION1	31	1
---	STOP	65	STATION2	32	2
04	FAX START	66	STATION3	33	3
06	COPY	67	STATION4	34	4
08	MONITOR	68	STATION5	35	5
09	BROADCAST	69	STATION6	36	6
0A	MUTE			37	7
0C	AUTO ANSWER			38	8
0D	SET			39	9
1E	[▶]			3A	0
1F	[◀]			3B	*
20	MENU			3C	#
				3D	REDIAL / PAUSE
25	[+] VOLUME			3E	FLASH
26	[-] VOLUME				
				47	CALLER ID

10.3. Print Test Pattern

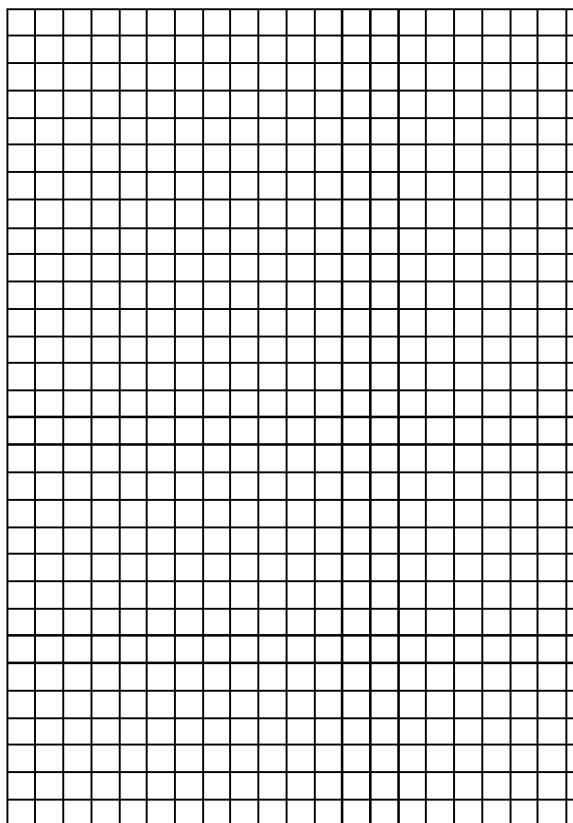
1. Platen roller



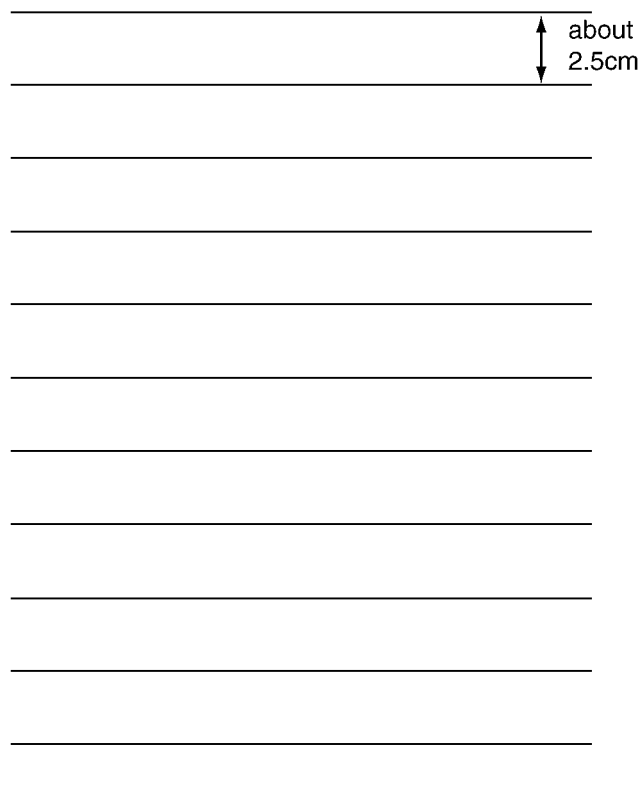
3. Thermal head 1 dot



2. Left margin / Top margin



4. Use this test pattern to confirm the torque limiter for Ink film and platen roller timing.



11 Service Mode

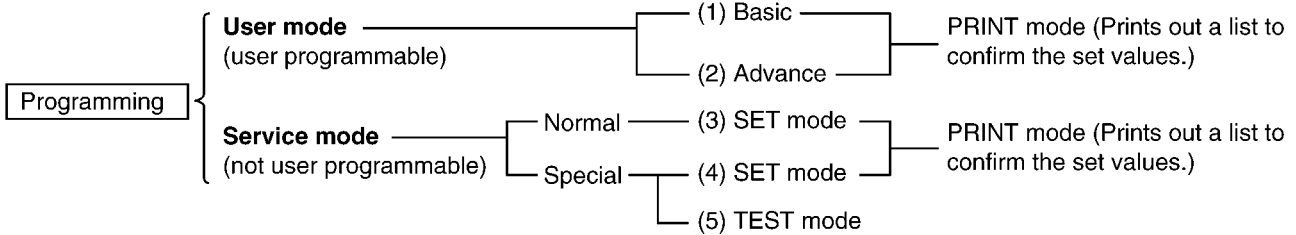
The programming functions are used to program the various features and functions of the machine, and to test the machine. This facilitates communication between the user and the service man while programming the unit.

11.1. Programming and Lists

11.1.1. Operation

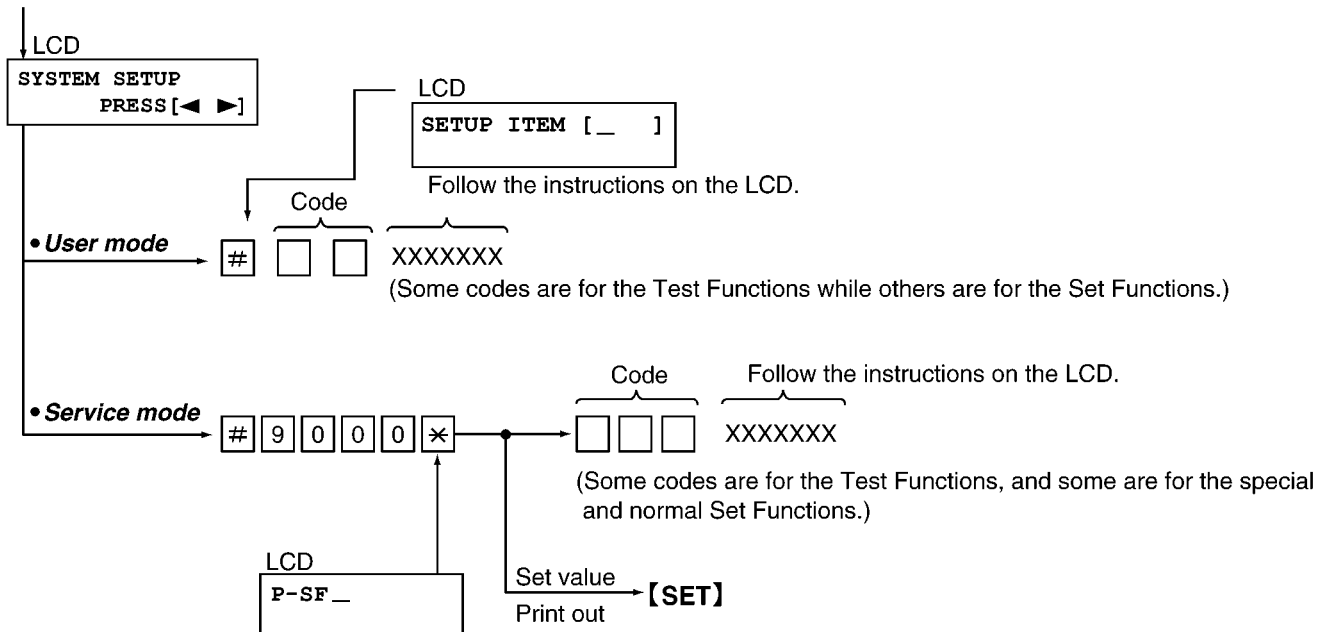
There are 2 basic categories of programming functions, the User Mode and the Service Mode. The Service Mode is further broken down into the normal and special programs. The normal programs are those listed in the Operating Instructions and are available to the user. The special programs are only those listed here and not displayed to the user. In both the User and Service Modes, there are Set Functions and Test Functions. The Set Functions are used to program various features and functions, and the Test Functions are used to test the various functions. The Set Functions are accessed by entering their code, changing the appropriate value, then pressing the SET key. The Test Functions are accessed by entering their code and pressing the key listed on the menu. While programming, to cancel any entry, press the STOP key.

11.1.2. Operation Flow

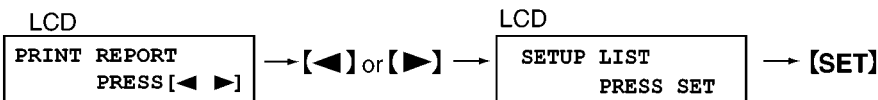


■ Operating Procedure

[MENU]



• User mode Print out



11.1.3. Service Function Table

Code	Function	Set Value	Effective Range	Default	Remarks
501	Pause time set	X 100 msec	001~600	030	-----
503	Dial speed select	1: 10 pps 2: 20 pps	1, 2	1	-----
514	Bell detection time	X 100 msec	1~9	6	-----
520	CED frequency select	1:2100 Hz 2:1100 Hz	1, 2	1	See Symptom/Countermeasure Table for long distance and international calls in 12.3.2.1.5. The unit can copy, but cannot either transmit/receive long distance or international communications (P.94).
521	International mode select	1:ON 2:OFF	1, 2	1	See Symptom/Countermeasure Table for long distance and international calls in 12.3.2.1.5. The unit can copy, but cannot either transmit/receive long distance or international communications (P.94).
522	Auto standby select	1:ON 2:OFF	1, 2	1	The resolution reverts to the default when transmission is complete.
523	Receive equalizer select	1: 0 km 2: 1.8 km 3: 3.6 km 4: 7.2 km	1~4	1	When the telephone station is far from the unit or reception cannot be performed correctly, adjust accordingly.
524	Transmission equalizer select	1: 0 km 2: 1.8 km 3: 3.6 km 4: 7.2 km	1~4	1	When the telephone station is far from the unit or transmission cannot be performed correctly, adjust accordingly.
544	Document feed position adjustment value set	1~9 mm	1~9	5	When the ADF function is in correct, adjust the feed position.
550	Memory clear				See 11.1.4. Memory Clear Specification (P.67).
551	ROM check				See 10Test Mode (P.60).
552	DTMF single tone test	1:ON 2:OFF	1, 2	2	See 10Test Mode (P.60).
553	Monitor on FAX communication select	1:OFF 2:PHASE B 3:ALL	1~3	1	Sets whether to monitor the line signal with the unit's speaker during FAX communication or not.
554	Modem test				See 10Test Mode (P.60).
555	Scan check				See 10Test Mode (P.60).
556	Motor test			0	See 10Test Mode (P.60).
557	LED test				See 10Test Mode (P.60).
558	LCD test				See 10Test Mode (P.60).
559	Document jam detection select	1:ON 2:OFF	1, 2	1	Sets whether or not to detect a paper jam. If a document with a length longer than 600 mm is copied or transmitted, the unit stops copying or transmitting as a paper jamming because a document over 600 mm is not normal. In the factory, transmitting or copying a document longer than 600 mm is done as an aging test. In this case, OFF is selected.
561	KEY test				See 10Test Mode (P.60).
567	T1 timer	X second	001~255	046	
570	BREAK % select	1:61% 2:67%	1, 2	1	Sets the % break of pulse dialing according PBX.
571	ITS auto redial time set	X number of times	00~99	05	Selects the number of times that ITS is redialed (not including the first dial).
572	ITS auto redial line disconnection time set	X second	001~999	185	Sets the interval of ITS redialing.
573	Remote turn-on ring number set	X number of rings	00~99	10	Sets the number of rings before the unit starts to receive a document in the TEL mode.
590	FAX auto redial time set	X number of times	00~99	05	Selects the number of redial times during FAX communication (not including the first dial).
591	FAX auto redial time disconnection time set	X second	001~999	185	Sets the FAX redial interval during FAX communication.
592	CNG transmit select	1:OFF 2:ALL 3:AUTO	1~3	2	Lets you select the CNG output during FAX transmission. ALL: CNG is output at phase A. AUTO: CNG id output only when automatic dialing is performed. OFF: CNG id not output at phase A. Refer to 12.3.2.1.2. Sometime there is a transmit problem (P.91).

Code	Function	Set Value	Effective Range	Default	Remarks
593	Time between CED and 300bps	1:75 msec 2:500 msec 3:1 sec	1~3	1	See Symptom/Countermeasure Table for long distance and international calls in 12.3.2.1.5.The unit can copy, but cannot either transmit/receive long distance or international communications (P.94). Refer to 12.3.2.1.3.Receive Problem (P.92).
594	Overseas DIS detection select	1:detects at the 1st time 2:detects at the 2st time	1, 2	1	See Symptom/Countermeasure Table for long distance and international calls in 12.3.2.1.5.The unit can copy, but cannot either transmit/receive long distance or international communications (P.94). Refer to 12.3.2.1.2.Sometime there is a transmit problem (P.91).
595	Receive error limit value set	1:5 % 2:10 % 3:15 % 4:20%	1~4	2	Refer to 12.3.2.1.3.Receive Problem (P.92).
596	Transmit level set	X dbm (10 = -10 dbm)	- 15~00	11	Selects the FAX transmission level. Refer to 12.3.2.1.2.Sometime there is a transmit problem (P.91) and 12.3.2.1.3.Receive Problem (P.92).
598	Receiving sensitivity	X dbm (40 = -40 dbm)	-20~-48	42	Used when there is an error problem. Refer to 12.3.2.1.5.The unit can copy, but cannot either transmit/receive long distance or international communications (P.94). Power is OFF/ON after changing this set value.
599	ECM frame size	1:256 2:64	1, 2	1	-----
710	Memory clear except History data				Refer to 11.1.4.Memory Clear Specification (P.67).
717	Transmit speed selection	1:9600BPS 2:7200BPS 3:4800BPS 4:2400BPS	1~4	1	Adjusts the speed to start training during FAX transmission. Refer to 12.3.2.1.2.Sometime there is a transmit problem (P.91) and 12.3.2.1.6.The unit can copy, but the transmission and reception image are incorrect (P.96).
718	Receive speed selection	1:9600BPS 2:7200BPS 3:4800BPS 4:2400BPS	1~4	1	Adjusts the speed to start training during FAX transmission. Refer to 12.3.2.1.3.Receive Problem (P.91) and 12.3.2.1.6.The unit can copy, but the transmission and reception image are incorrect (P.96).
722	Redial tone detect	1:ON 2:OFF	1, 2	1	Sets the tone detection mode after redialing.
745	Power ON film feed	1:ON 2:OFF	1, 2	1	When the power is turned on, the film is wound to take up any slack.
763	CNG detect time for friendly reception	1:10 sec 2:20 sec 3:30 sec	1~3	3	Selects the CNG detection tone of friendly reception.
773	DIS-DIC interval	1: 500msec 2: 200msec	1, 2	2	This is similar to #594. The time interval from receiving DIS to sending DCS can be changed to wait for the echo canceler to recover.
774	T4 timer	X 100 msec	00~99	00	Use this function when delay occurs in the line and communication (ex. Mobile comm) does not work well.
815	Sensor & Vox check				See 10Test Mode (P.60).
852	Print test pattern				See 10Test Mode (P.60).
853	Top margin		1~9	2	-----
861	Paper size	1:A4 2:LETTER	1, 2	1	-----
874	DTMF ON time	X 10 msec	06~20	10	-----
875	DTMF OFF time	X 10 msec	06~20	10	-----
880	History list				See 11.2.3.History (P.71).
881	Journal 2 list				See 12.3.1.3.Printout Example (P.87).
882	Journal 3 list				See 12.3.1.3.Printout Example (P.87).
961	The time transmitting the false ring back tone	X sec	01~10	07	Set the time transmitting the false ring back tone to the line in TEL/FAX mode.
962	The operator calling time	X sec	05~30	10	Set the operator calling time through the speaker in TEL/FAX mode.

11.1.4. Memory Clear Specification

Item	Status after Memory Clear	
	Service Mode #550 ^{*1}	Service Mode #710 ^{*2}
Date and time (user mode #001)	—	Default
Your logo (user mode #002)	—	Default
Your Fax Number (user mode #003)	—	Default
One touch dial and Directory	—	Default
History	—	—
Top margin (service mode #853)	—	—
Other Setting data (User setting and Service setting data)	Default	Default

— : Not changed

*1 Execute Service Mode #550 when you want to reset the all setting data keeping the user information.

*2 Execute Service Mode #710 to clear the user information in case that Main Unit is recycled.

Note:

- Please restart a power supply after clearing a memory.

11.2. The Example of the Printed List

11.2.1. User Mode

11.2.1.1. KX-FP701CX

SETUP LIST

[BASIC FEATURE LIST]

NO.	FEATURE	CURRENT SETTING
#01	SET DATE & TIME	1 Jan. 2007 12:00AM
#02	YOUR LOGO	ABCDEFGHIJKLMNOPQRSTUVWXYZ
#03	YOUR FAX NO.	12345678901234567890
#04	SENDING REPORT	ERROR [ERROR, ON, OFF]
#06	FAX RING COUNT	2 [1, 2, 3, 4, 5, 6, 7, 8, 9]
#13	DIAL MODE	TONE [PULSE, TONE]
#16	PAPER SIZE	LETTER [A4, LETTER]
#17	RINGER TONE	TONE 1 [TONE 1, TONE 2, TONE 3]

[ADVANCED FEATURE LIST]

NO.	FEATURE	CURRENT SETTING
#22	AUTO JOURNAL	ON [ON, OFF]
#23	OVERSEAS MODE	ERROR [NEXT FAX, ERROR, OFF]
#25	DELAYED SEND	OFF [ON, OFF]
	DESTINATION =	123456789012345678901234
	START TIME =	12:00AM
#26	AUTO CALL. LIST	OFF [ON, OFF]
#34	QUICK SCAN	OFF [ON, OFF]
#36	RCV REDUCTION	92% [72%, 86%, 92%, 100%]
#39	LCD CONTRAST	NORMAL [NORMAL, DARKER]
#41	FAX ACTIVATION	ON [ON, OFF]
	CODE =	*#9
#44	RECEIVE ALERT	ON [ON, OFF]
#46	FRIENDLY RCV	ON [ON, OFF]
#49	AUTO DISCONNECT	ON [ON, OFF]
	CODE =	*0
#58	SCAN CONTRAST	NORMAL [NORMAL, LIGHT, DARKER]
#68	ECM SELECTION	ON [ON, OFF]
NOTE : You cannot change the setting of this feature, if there are stored documents in memory.		
#72	SET FLASH TIME	600ms [80ms, 90ms, 100ms, 110ms, 160ms, 200ms, 250ms, 300ms, 400ms, 600ms, 700ms, 900ms]
#73	MANUAL ANSWER	TEL [TEL, TEL/FAX]
#76	CONNECTING TONE	ON [ON, OFF]
#78	TEL/FAX RING	2 [1, 2, 3, 4, 5, 6, 7, 8, 9]
#80	SET DEFAULT (EXCEPT #68)	

Note:

The above values are the default values.

11.2.1.2. KX-FP702CX

SETUP LIST

[BASIC FEATURE LIST]

NO.	FEATURE	CURRENT SETTING
	#01 SET DATE & TIME	1 Jan. 2007 12:00AM
Code	#02 YOUR LOGO	ABCDEFGHIJKLMNOPQRSTUVWXYZ
	#03 YOUR FAX NO.	12345678901234567890
	#04 SENDING REPORT	OFF [ERROR, ON, OFF]
	#06 FAX RING COUNT	2 [1, 2, 3, 4, 5, 6, 7, 8, 9]
	#13 DIAL MODE	PULSE [PULSE, TONE]
	#17 RINGER TONE	TONE 1 [TONE 1, TONE 2, TONE 3]

Set Value

[ADVANCED FEATURE LIST]

NO.	FEATURE	CURRENT SETTING
Code	#22 AUTO JOURNAL	ON [ON, OFF]
	#23 OVERSEAS MODE	NEXT FAX [NEXT FAX, ERROR, OFF]
	#25 DELAYED SEND	OFF [ON, OFF]
		DESTINATION = 123456789012345678901234
		START TIME = 12:00AM
	#26 AUTO CALL. LIST	ON [ON, OFF]
	#34 QUICK SCAN	ON [ON, OFF]
	#36 RCV REDUCTION	100% [72%, 86%, 92%, 100%]
	#39 LCD CONTRAST	NORMAL [NORMAL, DARKER]
	#41 FAX ACTIVATION	ON [ON, OFF]
		CODE = *#9
	#44 RECEIVE ALERT	ON [ON, OFF]
	#46 FRIENDLY RCV	ON [ON, OFF]
	#49 AUTO DISCONNECT	ON [ON, OFF]
		CODE = *0
	#58 SCAN CONTRAST	DARKER [NORMAL, LIGHT, DARKER]
	#68 ECM SELECTION	ON [ON, OFF]
	NOTE : You cannot change the setting of this feature, if there are stored documents in memory.	
	#72 SET FLASH TIME	100ms [80ms, 90ms, 100ms, 110ms, 160ms, 200ms, 250ms, 300ms, 400ms, 600ms, 700ms, 900ms]
	#73 MANUAL ANSWER	TEL/FAX [TEL, TEL/FAX]
	#76 CONNECTING TONE	ON [ON, OFF]
	#78 TEL/FAX RING	2 [1, 2, 3, 4, 5, 6, 7, 8, 9]
	#80 SET DEFAULT (EXCEPT #68)	2

Set Value

Note:
The above values are the default values.

11.2.2. Service Mode Settings

11.2.2.1. KX-FP701CX

[SERVICE DATA LIST]			Set Value	
Code	501 PAUSE TIME	=	030*100ms	[001...600]*100ms
	503 DIAL SPEED	=	10pps	[1=10 2=20]pps
	520 CED FREQ.	=	2100Hz	[1=2100 2=1100]Hz
	521 INTL. MODE	=	ON	[1=ON 2=OFF]
	522 AUTO STANDBY	=	ON	[1=ON 2=OFF]
	523 RX EQL.	=	0.0Km	[1=0.0 2=1.8 3=3.6 4=7.2]Km
	524 TX EQL.	=	0.0Km	[1=0.0 2=1.8 3=3.6 4=7.2]Km
	853 TOP MARGIN	=	5	[1...9]

[SPECIAL SERVICE SETTINGS]													
Code	514	544	552	553	559	567	570	571	572	573	590	591	592
	6	5	2	1	1	046	1	05	185	10	05	185	2
	593	594	595	596	598	599	717	718	722	745	763	773	774
	1	1	2	11	42	1	1	1	1	1	3	2	00
	861	874	875	961	962								
	1	10	10	07	10								

USAGE TIME = 00000 HOURS

Version = Gxxxxx xxxx

Note:

The above values are the default values.

11.2.2.2. KX-FP702CX

[SERVICE DATA LIST]			Set Value	
Code	501 PAUSE TIME	=	030*100ms	[001...600]*100ms
	503 DIAL SPEED	=	10pps	[1=10 2=20]pps
	520 CED FREQ.	=	2100Hz	[1=2100 2=1100]Hz
	521 INTL. MODE	=	ON	[1=ON 2=OFF]
	522 AUTO STANDBY	=	ON	[1=ON 2=OFF]
	523 RX EQL.	=	0.0Km	[1=0.0 2=1.8 3=3.6 4=7.2]Km
	524 TX EQL.	=	0.0Km	[1=0.0 2=1.8 3=3.6 4=7.2]Km
	853 TOP MARGIN	=	5	[1...9]

[SPECIAL SERVICE SETTINGS]													
Code	514	544	552	553	559	567	570	571	572	573	590	591	592
	6	5	2	1	1	046	1	05	185	10	05	185	2
	593	594	595	596	598	599	717	718	722	745	763	773	774
	1	1	2	11	42	1	1	1	1	1	3	2	00
	861	874	875	961	962								
	1	10	10	07	10								

USAGE TIME = 00000 HOURS

Version = Gxxxxx xxxx

Note:

The above values are the default values.

11.2.3. History

【 HISTORY 】

```

[Ver 1.5]—(1)   [9 2 E 4]—(2)
[NONE]—(3)
[NONE]—(4)
[NONE]—(5)
(6)—[0 0 0 0] [0 1]—(7) [0 1]—(8) [2 0 0 7]—(9) [0 0 0 0]—(10)
(11)—[0 0 0 0] [0 0 0 0]—(12)
(13)—[0 0 0 0] [0 0 0 0] [NONE] [0 0 0 0]—(16) [F A X]—(17)
Factory use only [0 0 0 0] [0 0 0 0] [NONE]—(18) [9 2 %]—(19) [0 0 0 1]—(20)
(21)—[0 0 0 0] [0 0 0 0] [0 0 0 0] [0 0 0 0]—(24) [NONE]—(25)
(26)—[NONE] [NONE]—(27) [NONE]—(28) [NONE]—(29)
(30)—[0 0 0] (31)—[0 0 0] (32)—[0 0 0 0] [NONE]—(33)
(34)—[0 0 0 0] [0 0 0 0]—(35) [0 0 0 0]—(36) [0 0 0 0]—(37)
(40)—[0 0 0 0] [0 0 0 0]—(41) [0 0 0 0]—(42) [0 0 0 0]—(43)
(38)—[0 0 0 0] [0 0 0 0]—(39)
[0 0 0 0]—(44)
    
```

NAME _____ DATE _____ DEALER _____ FILM _____

CUSTOMER COMPLAINT

SURVEY RESULT : CKDK (UNKNOWN/DESIGN/EDUC) DEFECT (PART/WORKER/DESIGN)
 ABUSE (CUST/DEALER/SHIP) NEW (OPEN/NOT)
 PHONE SURVEY RESULT.

Note:

See the following descriptions of this report. Item No. (1) ~ (44) are corresponding to the listed items in **11.2.3.1.Descriptions of the History Report** (P.72).

11.2.3.1. Descriptions of the History Report

- | | |
|---|--|
| <p>(1) SOFTWARE VERSION
FLASH ROM version</p> <p>(2) SUM
FLASH ROM internal data calculation.</p> <p>(3) YOUR LOGO
The user logo recorded in the unit. If it is not recorded, NONE will be displayed.</p> <p>(4) YOUR TELEPHONE NUMBER
The user telephone number recorded in the unit. If it is not recorded, NONE will be displayed.</p> <p>(5) FAX PAGER NUMBER
If you program a pager number into the unit, the pager number will be displayed here.</p> <p>(6) FACTORY - CUSTOMER
This shows how many days from factory production until the user turns ON the unit.</p> <p>(7) MONTH
The shows the very first month, date, year and time set by the user after they purchased the unit.</p> <p>(8) DAY
The shows the very first month, date, year and time set by the user after they purchased the unit.</p> <p>(9) YEAR
The shows the very first month, date, year and time set by the user after they purchased the unit.</p> <p>(10) TIME
The shows the very first month, date, year and time set by the user after they purchased the unit.</p> <p>(11) USAGE TIME
The amount of time the unit has been powered ON.</p> <p>(12) FACTORY - NOW
This shows how many days from factory production until the user prints out this history list.</p> <p>(13) TEL MODE
The amount of time the TEL mode setting was used.</p> <p>(14) FAX MODE
The amount of time the FAX mode setting was used.</p> <p>(15) TEL/FAX MODE
The amount of time the TEL/FAX mode setting was used.</p> <p>(16) ANS/FAX MODE
The amount of time the ANS/FAX mode setting was used.</p> <p>(17) FINAL RECEIVE MODE
The last set receiving mode by the user.</p> <p>(18) TONE/PULSE SELECTION
The most recently used setting used, either TONE or PULSE.</p> <p>(19) RECEIVE REDUCTION
The compression rate when receiving.</p> <p>(20) SETTING NO. OF DIRECTORY
The recorded directory stations.</p> <p>(21) NUMBER OF COPY
The number of pages copied.</p> | <p>(22) NUMBER OF RECEIVE
The number of pages received.</p> <p>(23) NUMBER OF SENDING
The number of pages sent.</p> <p>(24) NUMBER OF CALLER ID
The number of times Caller ID was received.</p> <p>(25) NUMBER OF RECORDING MESSAGE
The number of messages recorded in TAM.</p> <p>(26)~(29) Not Used</p> <p>(30) NUMBER OF PRINTING WARNING LIST
The number of warning lists printed until now.</p> <p>(31) NUMBER OF PRINTING HELP
The number of help lists printed until now.</p> <p>(32) NUMBER OF DIVIDED PRINTING IN FAX RECEPTION
The number of faxes received that were divided into more than one sheet since the unit was purchased.</p> <p>(33) Not used</p> <p>(34) FAX MODE
Means the unit received a fax message in the FAX mode.</p> <p>(35) MAN RCV
Means the unit received a fax message by manual operation.</p> <p>(36) FRN RCV
Means the unit received a fax message by friendly signal detection.</p> <p>(37) VOX
Means the unit detected silence or no voice.</p> <p>(38) RMT DTMF
Means the unit detected DTMF (Remote Fax activation code) entered remotely.</p> <p>(39) PAL DTMF
Means the unit detected DTMF (Remote Fax activation code) entered by a parallel connected telephone.</p> <p>(40) TURN-ON
Means the unit started to receive after 10 rings. (Remote Turn On: Service Code #573)</p> <p>(41) TIME OUT
Means the unit started to receive after Ring Time Out in the EXT-TAM or TEL/FAX mode.</p> <p>(42) IDENT
Means the unit detected Ring Detection.</p> <p>(43) CNG OGM
Means the unit detected the CNG while it was sending the Dummy Ring Back Tone in the TEL/FAX mode, or while answering a call in the EXT-TAM mode. Or means the unit detected the CNG while it was sending the OGM in the ANS/FAX mode.</p> <p>(44) CNG ICM
Means the unit detected the CNG while it was recording the ICM in the ANS/FAX mode.</p> |
|---|--|

12 Troubleshooting Guide

12.1. Troubleshooting Summary

After confirming the problem by asking the user, troubleshoot according to the instructions and observe the following precautions.

12.1.1. Precautions

1. If there is a problem with the print quality or the paper feed, first check if the installation space and the print paper meets the specifications, the paper selection lever/paper thickness lever is set correctly, and the paper is set correctly without any slack.
2. Before troubleshooting, first check that the connectors and cables are connected correctly (not loose).
If the problem occurs randomly, check it very carefully.
3. When connecting the AC power cord with the unit and checking the operation, exercise utmost care when handling electric parts in order to avoid electric shocks and short-circuits.
4. After troubleshooting, double check that you have not forgotten any connectors, left any loose screws, etc.
5. Always test to verify that the unit is working normally.

12.2. Error Messages-Display

If the unit detects a problem, one or more of the following messages will appear on the display.

The explanations given in the [] are for servicemen only.

“BACK COVER OPEN”

- The back cover is open. Close the back cover firmly.

“CALL SERVICE”

- [This error is displayed when the thermal head does not warm up. Check the thermistor on the thermal head and connector lead.]

“CHECK DOCUMENT”

- The document was not fed into the unit properly. Re-insert the document. If misfeeding occurs frequently, clean the document feeder rollers and try again.
(Refer to **15.4.1.Document feeder/recording paper feeder/scanner glass cleaning** (P.161).)
- The document is longer than 600 mm. Press **[STOP]** to remove the document. Divide the document into two or more sheets, and try again.
[Alternately, turn off service code #559 to enable sending of documents longer than 600 mm.]
(Refer to **11.1.3.Service Function Table** (P.65).)

“CHECK PAPER”

- The recording paper is not installed or the unit has run out of paper. Install paper and press **[SET]** to clear the message.
- The recording paper was not fed into the unit properly. (Refer to **15.3.1.2.When the recording paper was not fed into the unit properly** (P.160).) Re-install paper and press **[SET]** to clear the message.
(Refer to **8.6.Installing the Recording Paper** (P.57).)
- The recording paper has jammed near the recording paper entrance. Remove the jammed paper and press **[SET]** to clear the message.
(Refer to **15.3.1.Recording Paper Jams** (P.159).)

“FAX IN MEMORY”

- See the other displayed message instructions to print out the document.
Received documents are stored in memory due to a lack of recording paper, a lack of ink film or a recording paper jam. Install paper, install ink film or remove the jammed paper. You will lose all faxes in memory if the power is removed. Check with power connected.
(Refer to **8.6.Installing the Recording Paper** (P.57) and **8.3.Installing the Ink Film** (P.55) and **15.3.1.Recording Paper Jams** (P.159).)

“FAX MEMORY FULL”

- The memory is full of received documents due to a lack of recording paper, a lack of ink film or a recording paper jam. Install paper, install ink film or remove the jammed paper. You will lose all faxes in memory if the power is removed. Check with power connected. (Refer to **8.6.Installing the Recording Paper** (P.57) and **8.3.Installing the Ink Film** (P.55) and **15.3.1.Recording Paper Jams** (P.159).)
- When performing memory transmission, the document being stored exceeded the memory capacity of the unit. Send the entire document manually.

“FILM EMPTY”

- The ink film is empty. Replace the ink film with a new one.
- The ink film is slack. Tighten it (See step 5 on **8.3.Installing the Ink Film** (P.55).) and install again.
- The fax machine is positioned near appliances such as TVs or speakers which generate an intense magnetic field.

“FILM NEAR EMPTY”

- The remaining ink film is low. Prepare a new ink film.
(Refer to **4.1.Optional Accessories** (P.9).)

“MEMORY FULL”

- When making a copy, the document being stored exceeded the memory capacity of the unit. Press **[STOP]** to clear the message. Divide the document into sections.

“MODEM ERROR”

- There is something wrong with the unit's modem.
(Refer to **10Test Mode** (P.60) and **12.5.5.Digital Board Section** (P.117).)

“NO FAX REPLY”

- The other party's fax machine is busy or has run out of recording paper. Try again.

**“OPEN CABINET
CHECK FILM SLACK”
“OPEN CABINET
CHECK FILM TYPE”**

- Please use genuine Panasonic replacement film.
(Refer to **4.1.Optional Accessories** (P.9).)
- The ink film is slack. Tighten it (See step 5 on **8.3.Installing the Ink Film** (P.55)).
- The fax machine is positioned near appliances such as TVs or speakers which generate an intense magnetic field.

“PAPER JAMMED”

- A recording paper jam occurred. Remove the jammed paper.
(Refer to **15.3.1.Recording Paper Jams** (P.159).)
- You forced the recording paper into the paper tray too strongly. Remove all of the installed paper, and re-install it gently.

“PHONEBOOK FULL”

- There is no space to store new items in the phonebook. Erase unnecessary items.

“PLEASE WAIT”

- The unit is checking that there is no slack or crease in the ink film. Wait for a moment while the check is completed.

“POLLING ERROR”

- The other party's fax machine does not offer the polling function. Check with the other party.

“REDIAL TIME OUT”

- The other party's fax machine is busy or has run out of recording paper. Try again.

“REMOVE DOCUMENT”

- The document is jammed. Remove the jammed document.
(Refer to **15.3.2.Document Jams - sending** (P.161).)
- Press **[STOP]** to eject the jammed paper.

“TRANSMIT ERROR”

- A transmission error occurred. Try again.
- If you send a fax overseas, try the following:
 - Use the overseas transmission mode (feature #23 on **12.4.2.Program Mode Table** (P.99)).
 - Add 2 pauses at the end of the telephone number or dial manually.

“UNIT OVERHEATED”

- The unit is too hot. Stop using the unit for a while and let the unit cool down.

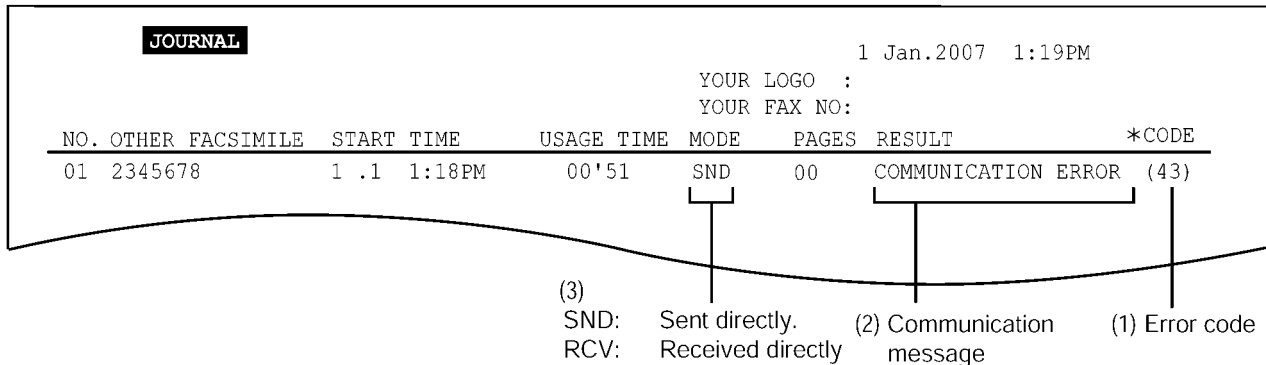
12.3. Error Messages-Report

Journal Report

If a problem occurs during fax transmission or reception, one of the following messages will be printed on the sending and journal reports.

How to output the Journal Report

1. Press **[MENU]** repeatedly until "PRINT REPORT" is displayed.
2. Press **[◀]** or **[▶]** repeatedly to display "JOURNAL REPORT".
3. Press **[SET]**.
4. The report is printed out.



Error code table:

(1) CODE	(2) RESULT	(3) MODE	SYMPTOM	Counter-measure*
	PRESSED THE STOP KEY	SND & RCV	Communication was interrupted by the STOP button.	
	DOCUMENT JAMMED	SND	The document paper is jammed.	
	NO DOCUMENT	SND	No document paper.	
	OTHER FAX NOT RESPONDING	SND	Transmission is finished when the T1 TIMER expires.	1
28	COMMUNICATION ERROR	SND & RCV		
41	COMMUNICATION ERROR	SND	DCN is received after DCS transmission.	2
42	COMMUNICATION ERROR	SND	FTT is received after transmission of a 2400BPS training signal.	3
43	COMMUNICATION ERROR	SND	No response after post message is transmitted three times.	4
44	COMMUNICATION ERROR	SND	RTN and PIN are received.	5
46	COMMUNICATION ERROR	RCV	No response after FTT is transmitted.	6
48	COMMUNICATION ERROR	RCV	No post message.	7
49	COMMUNICATION ERROR	RCV	RTN is transmitted.	8
50	COMMUNICATION ERROR	RCV	PIN is transmitted (to PRI-Q).	8
51	COMMUNICATION ERROR	RCV	PIN is transmitted.	8
52	OTHER FAX NOT RESPONDING	RCV	Reception is finished when the T1 TIMER expires.	9
54	ERROR-NOT YOUR UNIT	RCV	DCN is received after DIS transmission.	11
58	COMMUNICATION ERROR	RCV	DCN is received after FTT transmission.	13
59	ERROR-NOT YOUR UNIT	SND	DCN responds to the post message.	14
65	COMMUNICATION ERROR	SND	DCN is received before DIS reception.	2
65	COMMUNICATION ERROR	RCV	Reception is not EOP, EOM PIP, PIN, RTP or RTN.	2
68	COMMUNICATION ERROR	RCV	No response at the other party after MCF or CFR is transmitted.	13
70	ERROR-NOT YOUR UNIT	RCV	DCN is received after CFR transmission.	13
72	COMMUNICATION ERROR	RCV	Carrier is cut when the image signal is received.	16
75	MEMORY FULL	RCV	The document was not received due to memory full.	
74	JUNK FAX PROH. REJECT	RCV	The fax was rejected by the junk fax prohibitor feature.	
FF	COMMUNICATION ERROR	SND & RCV	Modem error. For the DCN, DCN, etc. abbreviations, refer to 6.6.Modem Section (P.35).	12

SND=TRANSMISSION RCV=RECEPTION

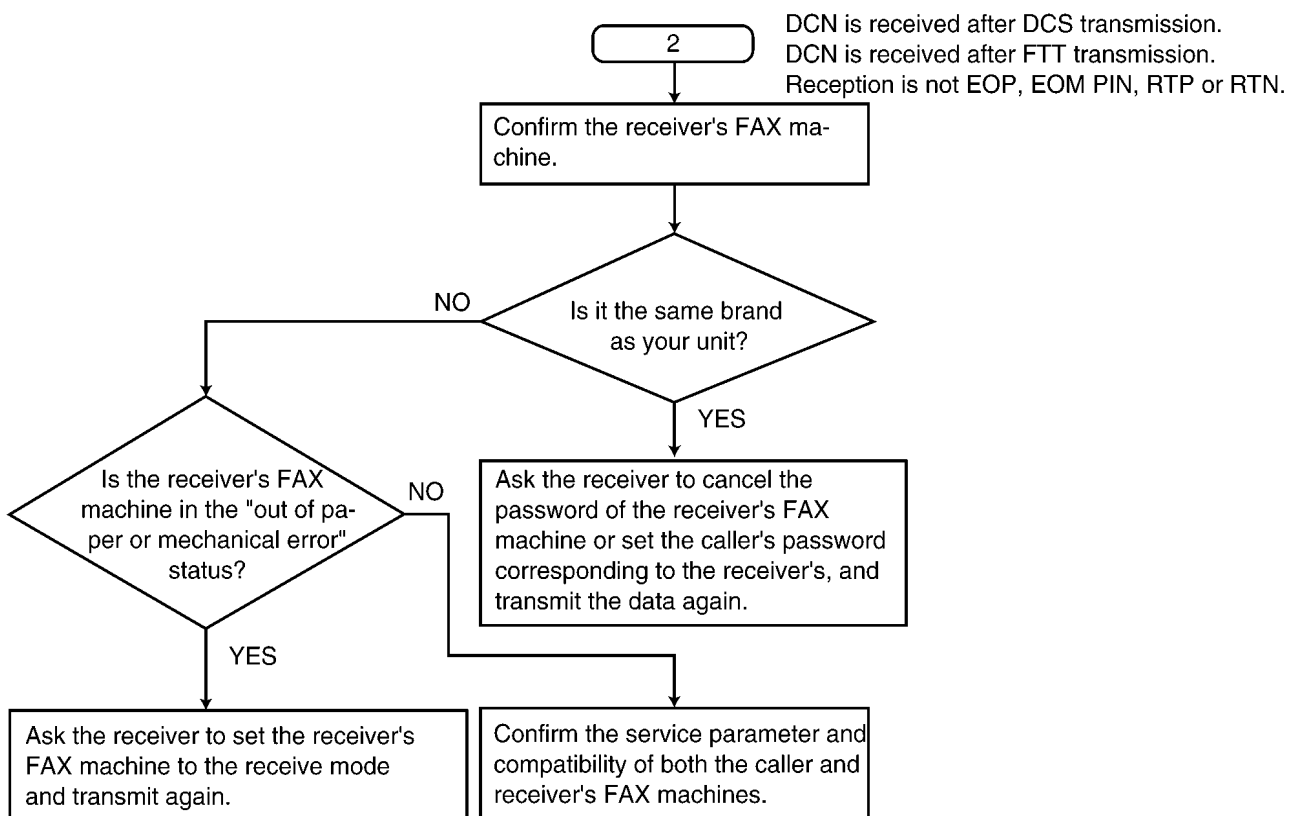
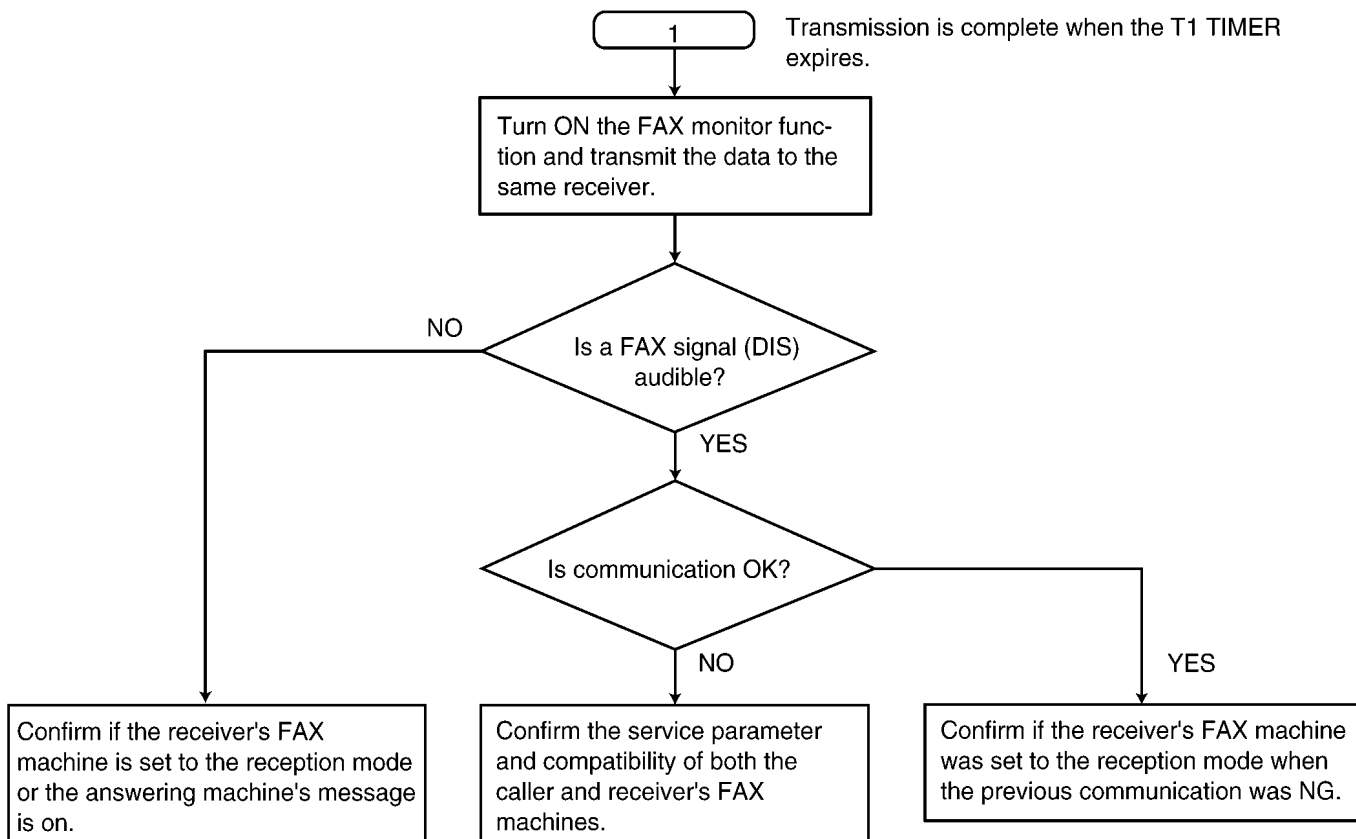
Most fax communication problems can be resolved by the following steps.

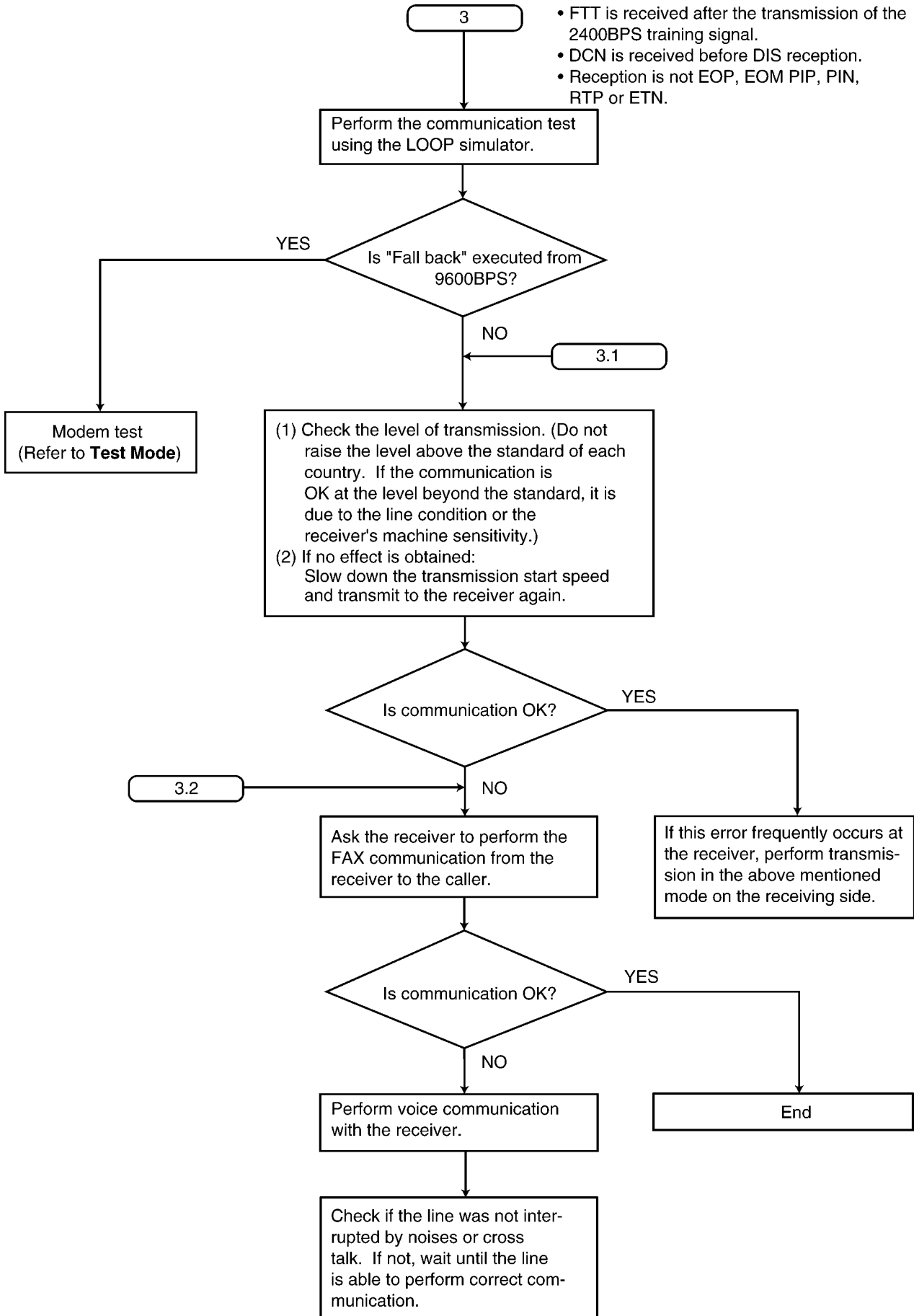
1. Change the transmit level. (Service code: 596, refer to **11.1.3.Service Function Table (P.65).**)
2. Change the TX speed/RX speed. (Service code: 717/718, refer to **11.1.3.Service Function Table (P.65).**)

Note*:

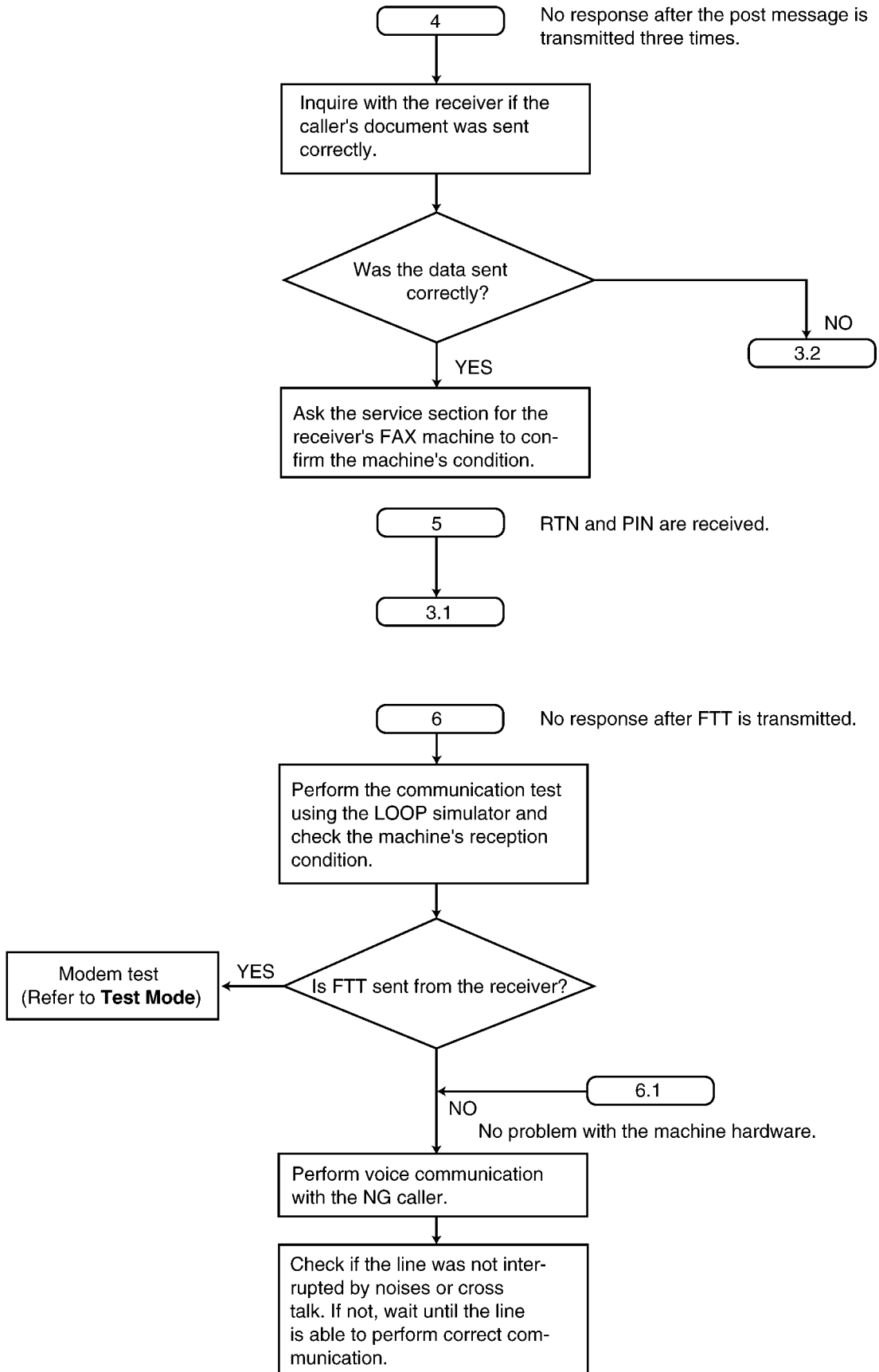
If the problem remains, see the following "Countermeasure" flow chart.

Countermeasure

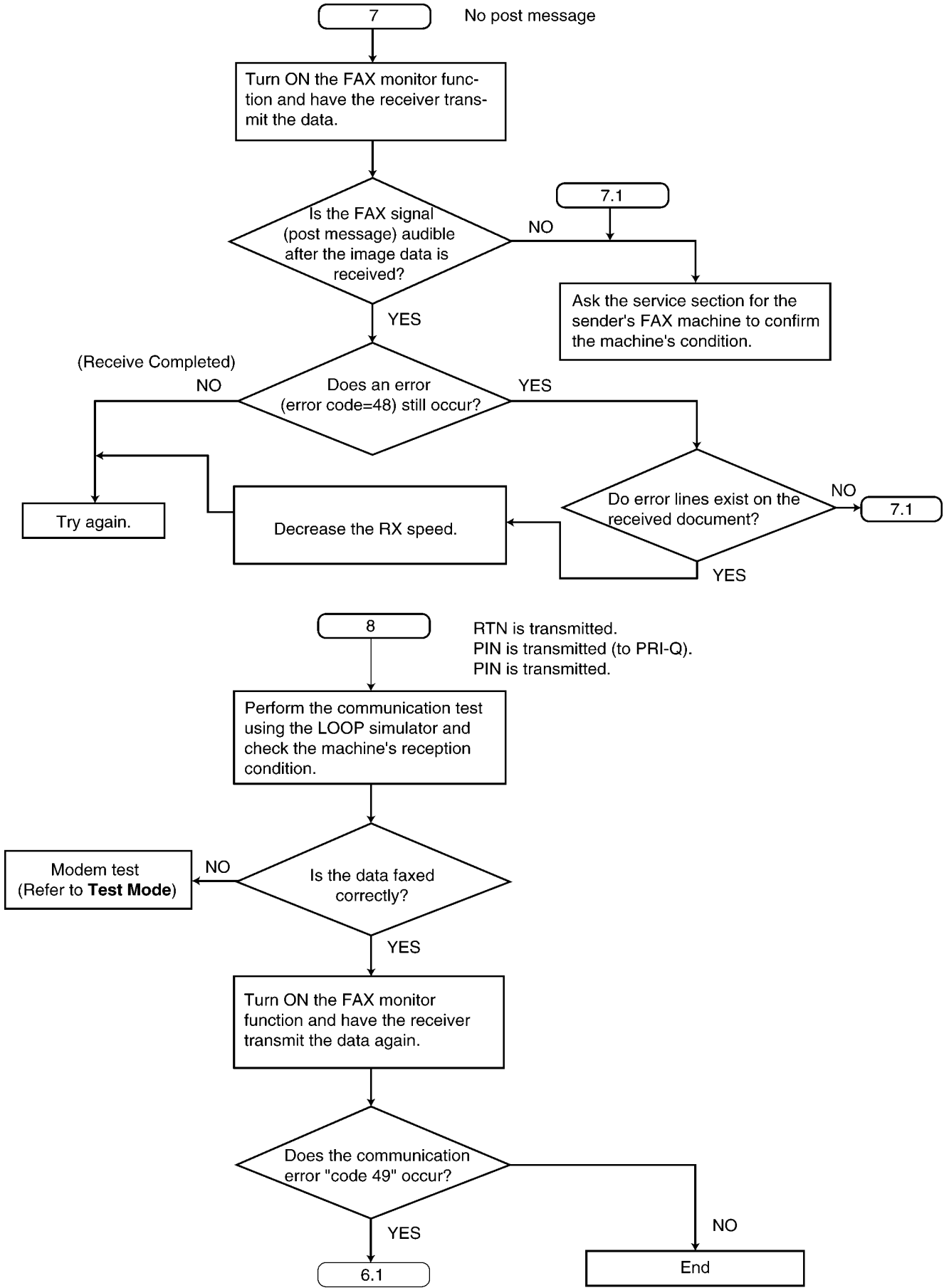




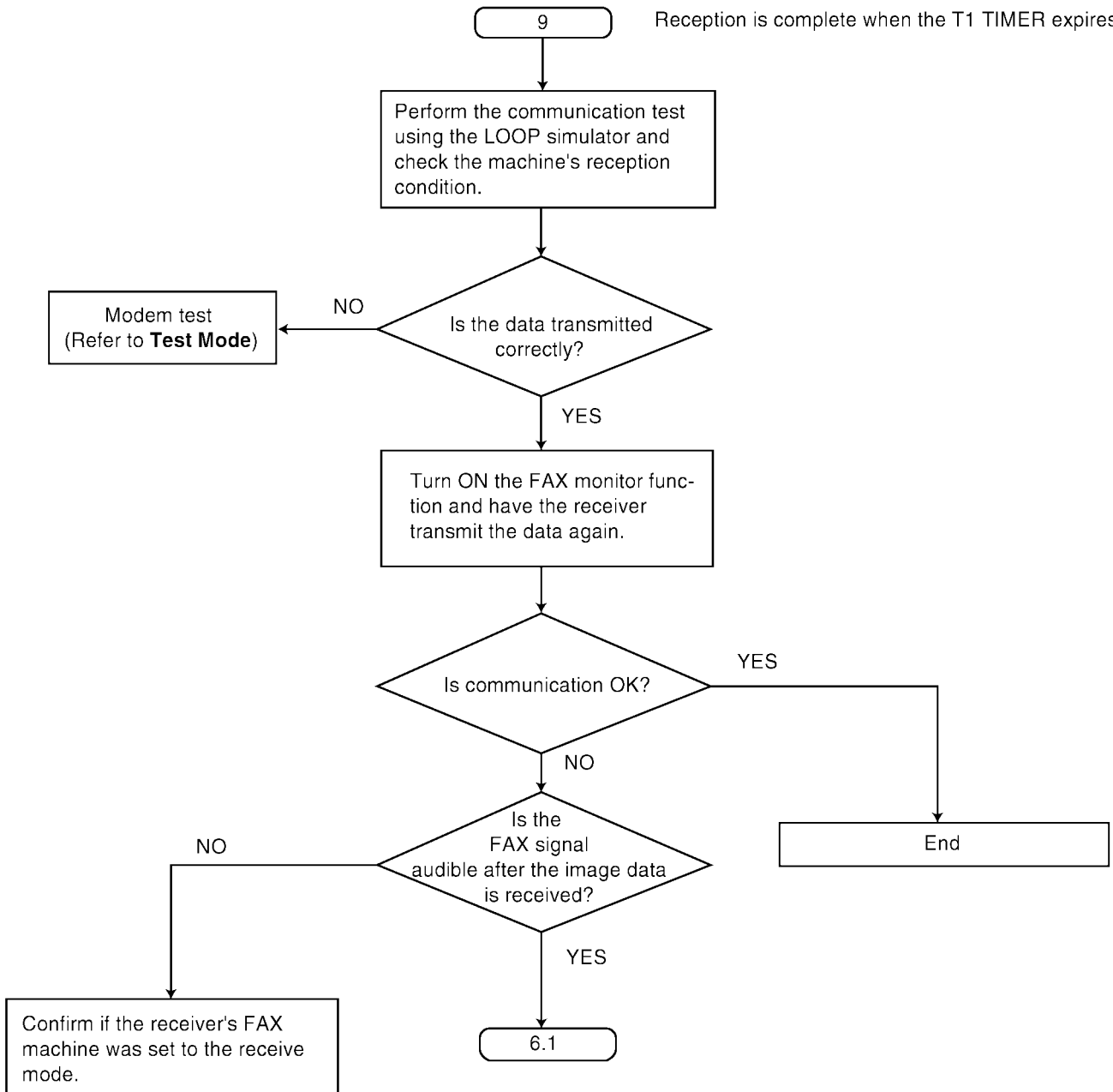
REFERENCE:
 10Test Mode (P.60)



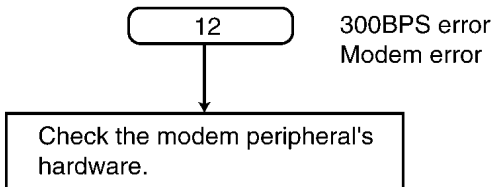
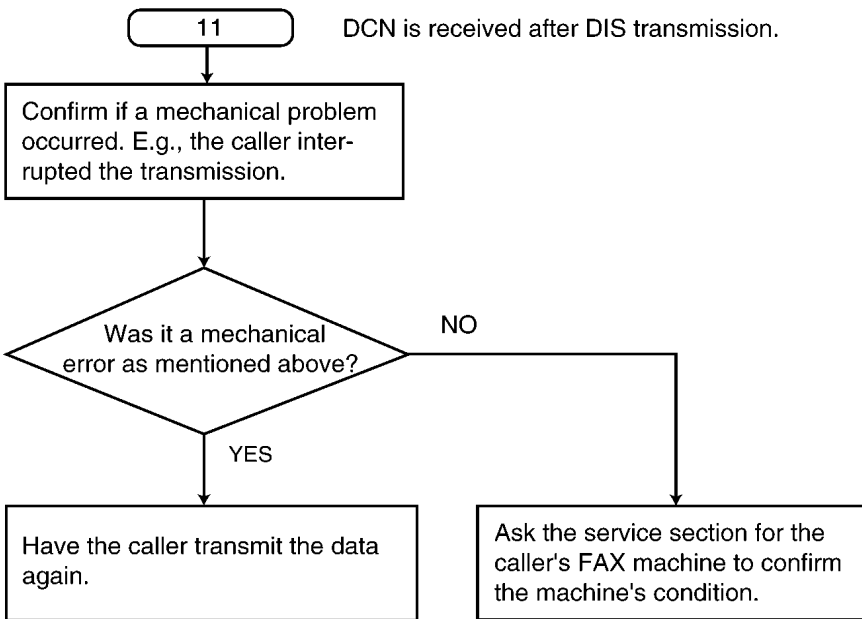
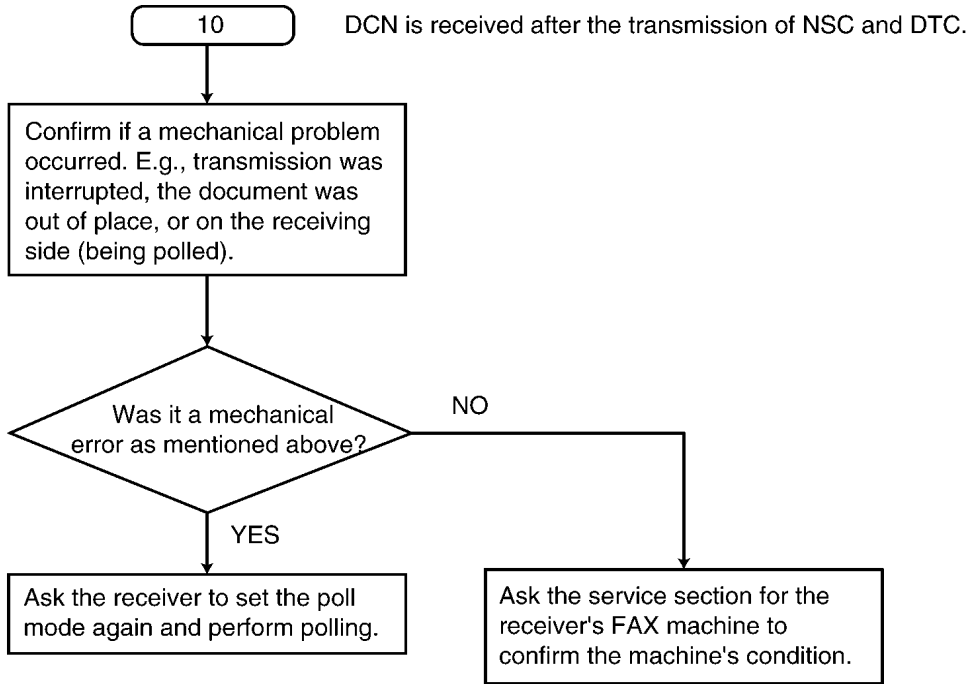
REFERENCE:
10Test Mode (P.60)

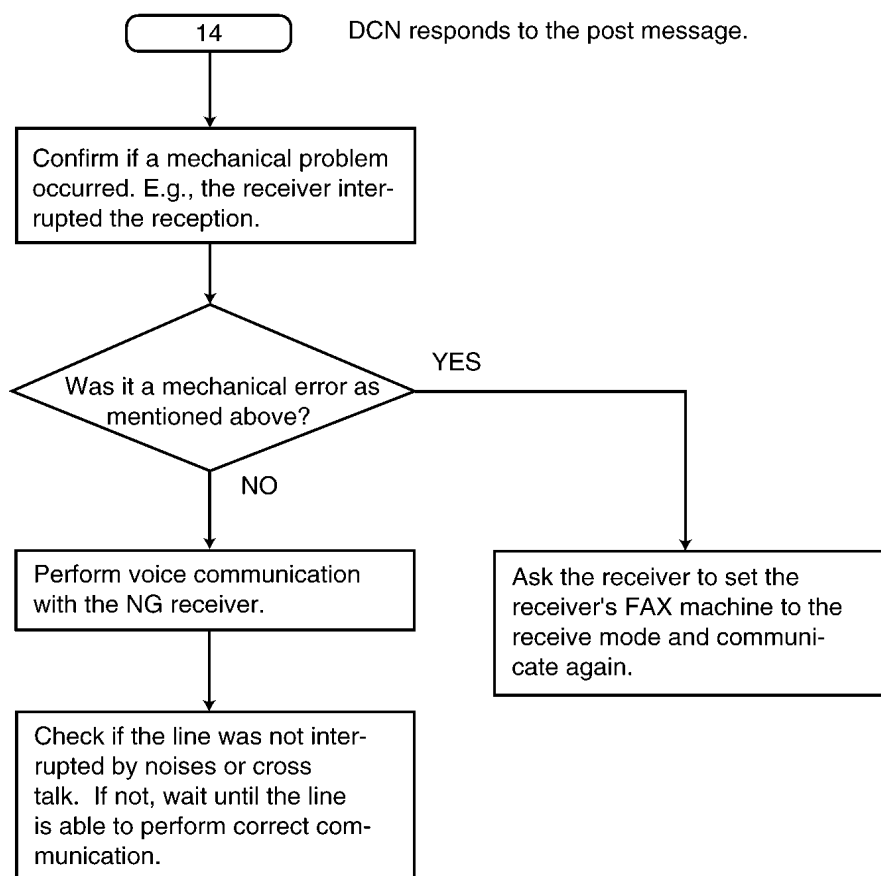
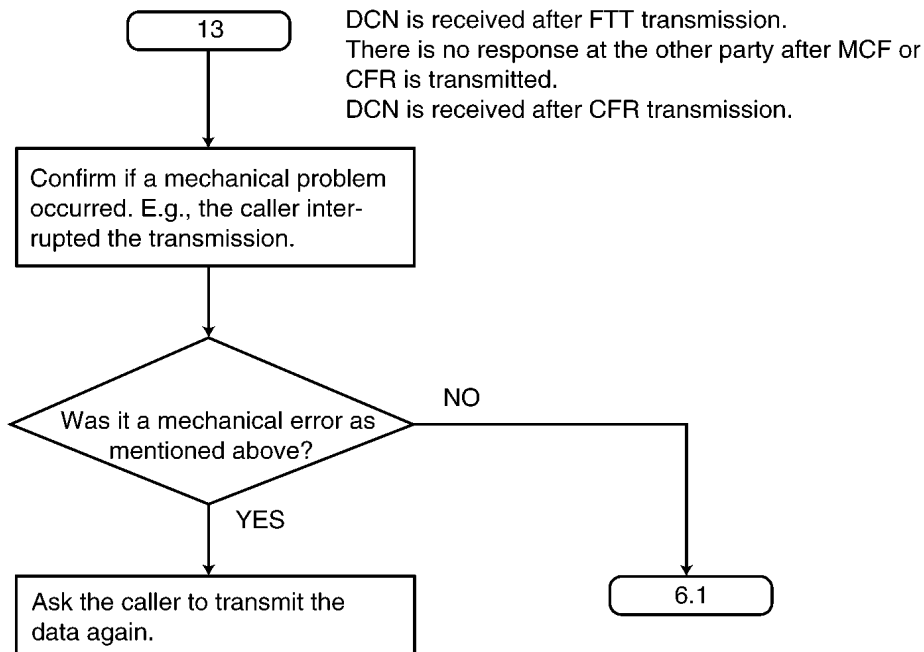


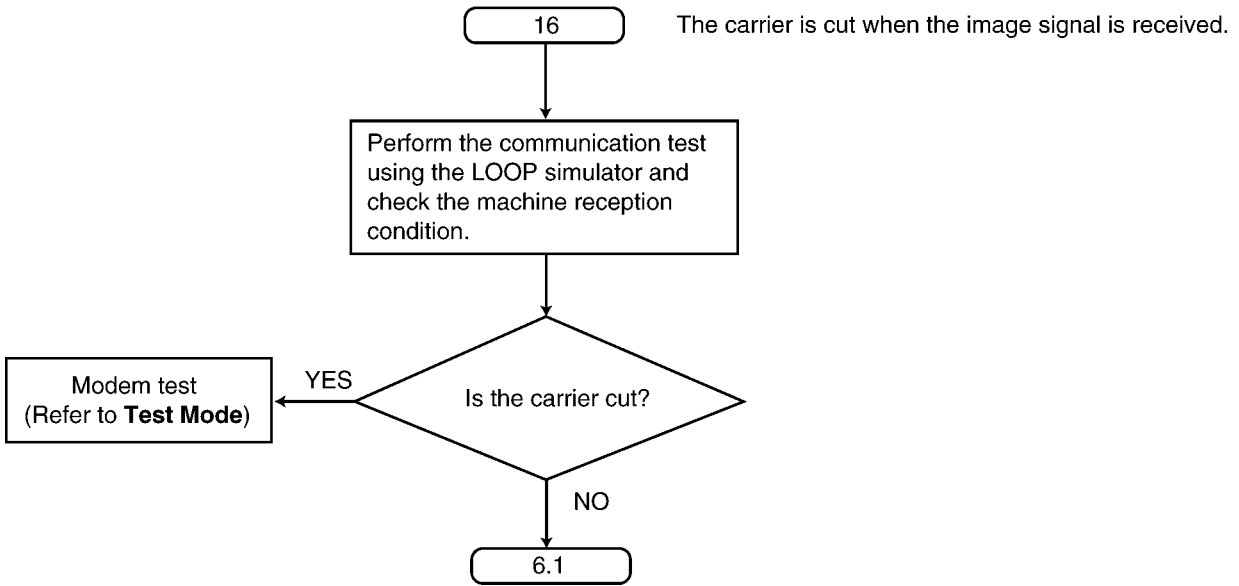
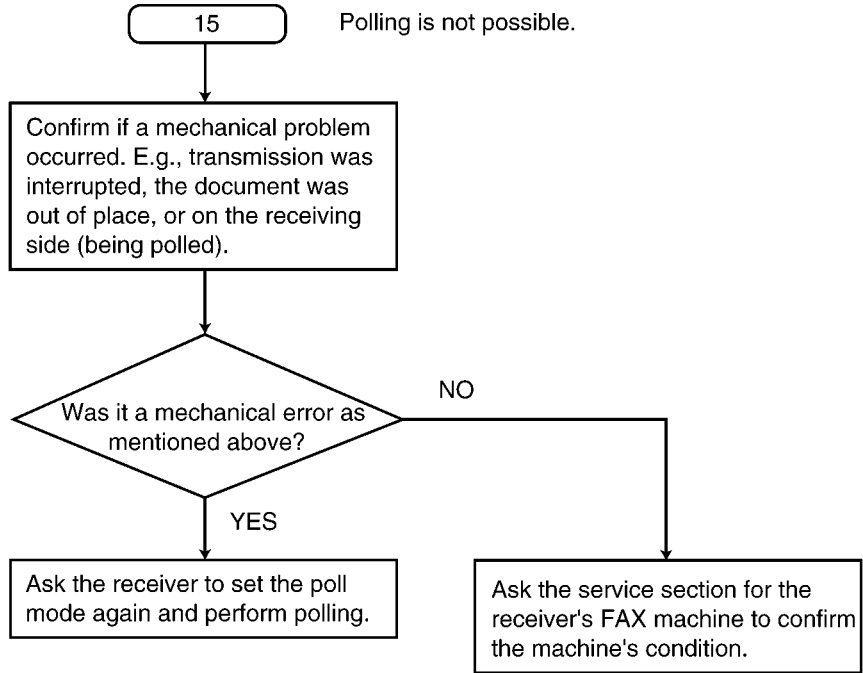
REFERENCE:
10Test Mode (P.60)



REFERENCE:
10Test Mode (P.60)







REFERENCE:
10Test Mode (P.60)

12.3.1. Special Service Journal Report

Journal 2 and Journal 3 shown below, which are special journals giving the additional detailed information about the latest 35 communications, can be printed by Service Code 881 or 882. Remote printing function for the journal reports (JOURNAL, JOURNAL 2 and JOURNAL 3) is also available for service technicians. (Refer to **12.4.Remote Programming** (P.98).) The JOURNAL report only gives you basic information about a communication, but the other two journal reports provide different information on the same item (communication).

1 Jan.2007 9:51AM

YOUR LOGO :
YOUR FAX NO.:

NO.	OTHER FACSIMILE	START TIME	USAGE TIME	MODE	PAGES	RESULT	*CODE
01	3332222	01. 21 2:14PM	00'45	SND	01	OK	
02	9998765	01. 21 3:17PM	00'58	SND	02	OK	
03	John	01. 21 5:18PM	00'48	RCV	01	OK	
04	555556677	01. 22 10:35AM	02'45	RCV	03	COMMUNICATION ERROR	(46)

1 Jan.2007 9:51AM

NO.	(1) RCV. MODE	(2) SPEED (CNT.)	(3) RESOLUTION	(4) RCV-TRIG. (CNT.)	(5) ERROR->MEMORY
01	TEL	9600BPS	STD.		
02	TEL	9600BPS	FINE		
03	FAX ONLY	7200BPS	STD.	FAX MOD	
04	FAX ONLY	9600BPS	STD.	CNG (0003)	

NO RESPONSE DISAPPEARED ON JOURNAL

NO.	START TIME	(1) RCV MODE	(4) RCV-TRIG (CNT.)
YOUR LOGO	:		
YOUR FAX NO.:	:		

1 Jan.2007 9:51AM

NO.	(6) ENCODE	(7) MSLT	(8) EQM (RX)	(9) ERROR LINE (RX)	(10) MAKER CODE
01	MH	20msec	0000	00000	79
02	MH	20msec	0000	00000	00
03	MR	20msec	1200	00013	00
04	MR	20msec	0000	00000	00

HOW TO READ JOURNAL REPORTS:

Example:

- Look at **NO. 01** in the JOURNAL. If you want to know about the details about that item, see **NO. 01** in the JOURNAL 2 and the JOURNAL 3. You can get the following information.
 - * MODE: Fax transmission
 - * RCV. MODE: TEL
 - * TX SPEED: 9.6 kbps
 - * RESOLUTION: standard
 - * ENCODE: MH
 - * MAKER CODE: 79
- Look at **NO. 04** in the JOURNAL 2. CNG (0003) indicates that the CNG signal has been received three times since the purchase date. For further details, see **12.3.1.1.Journal 2** (P.86) and **12.3.1.2.Journal 3** (P.87).

12.3.1.1. Journal 2

Refer to JOURNAL 2 in **12.3.1.3.Printout Example** (P.87).

Journal 2 displays the additional detailed information about the last 35 communications.

Descriptions:

(1) RCV. MODE

Indicates which receive mode the unit was in when the unit received a fax message.

This information is also displayed when the unit transmitted a fax message.

(2) SPEED

Indicates the speed of the communication. If multiple pages are transmitted or received, it indicates the last page's communication speed. If there is a communication error, "?" is displayed.

(3) RESOLUTION

Indicates the resolution of the communication. If multiple pages are transmitted or received, it indicates the last page's resolution. If there is a communication error, "?" is displayed.

(4) RCV-TRIG. (CNT.)

Indicates the trigger that causes the unit to switch to the fax receive mode. The available options are listed in JOURNAL 2 in **12.3.1.3.Printout Example** (P.87). The values in parentheses indicate how many times the trigger has been used. (For example, "0003" means three times.)

No.	Display	Function
1	FAX MODE	Means the unit received a fax message in the FAX mode.
2	MAN RCV	Means the unit received a fax message by manual operation.
3	FRN RCV	Means the unit received a fax message by friendly signal detection.
4	VOX	Means the unit detected silence or no voice.
5	RMT DTMF	Means the unit detected DTMF (Remote Fax activation code) entered remotely.
6	PAL DTMF	Means the unit detected DTMF (Remote Fax activation code) entered by a parallel connected telephone.
7	TURN-ON	Means the unit started to receive after 10 rings. (Remote Turn On: Service Code #573)
8	TIME OUT	Means the unit started to receive after Ring Time Out in the EXT-TAM or TEL/FAX mode.
9	IDENT	Means the unit detected Ring Detection.
10	CNG OGM	Means the unit detected the CNG while it was sending the Dummy Ring Back Tone in the TEL/FAX mode. OR Means the unit detected the CNG while it was sending the OGM in the ANS/FAX mode.
11	CNG ICM	Means the unit detected the CNG while it was recording the ICM in the ANS/FAX mode.

(5) ERROR→MEMORY

Indicates the reason why the unit received a fax message in memory.

If you look at No.11 in the JOURNAL 2 in **12.3.1.3.Printout Example** (P.87), it shows the fax message was received in memory due to "PAPER OUT" error.

NO RESPONSE DISAPPEARED ON JOURNAL

The "NO RESPONSE DISAPPEARED ON JOURNAL" displays the information about the last 10 communications terminated by "No Response". (Some of the communications terminated by "No Response" were not displayed in the JOURNAL.)

When a fax transmission cannot be performed because the other party's unit is set to the TEL mode, "No response" will be printed.

12.3.1.2. Journal 3

Refer to JOURNAL 3 in 12.3.1.3.Printout Example (P.87).

Descriptions:

(6) ENCODE

Compression Code: MH/MR/MMR

(7) MSLT

MSLT means Minimum Scan Line Time. Used only at the factory.

(8) EQM

EQM means Eye Quality Monitor. Used only at the factory.

(9) ERROR LINE(RX)

When an error occurs while receiving a fax, this shows the number of error lines.

(10) MAKER CODE

This shows a 2 digit code of the other party's fax machine brand.

- 0E: "KX" model
- 00: Unknown
- 79: "UF" model
- 19: "Xerox" model

12.3.1.3. Printout Example

JOURNAL2

1 Jan. 2007 1:59PM

NO.	RCV. MODE	SPEED (CNT.)	RESOLUTION	RCV-TRIG. (CNT.)	ERROR->MEMORY
01	FAX ONLY	9600BPS	FINE.	FAX MOD	
02	FAX ONLY	9600BPS	STD.	FAX MOD	
03	FAX ONLY	9600BPS	FINE.		
04	FAX ONLY	9600BPS	FINE.	FAX MOD	
05	FAX ONLY	9600BPS	FINE.	FAX MOD	
06	FAX ONLY	9600BPS	FINE.	FAX MOD	
07	FAX ONLY	9600BPS	FINE.		
08	FAX ONLY	9600BPS	FINE.		
09	FAX ONLY	9600BPS	FINE.		
10	FAX ONLY	9600BPS	STD.	FAX MOD	
11	FAX ONLY	9600BPS	FINE.	FAX MOD	PAPER OUT
12	FAX ONLY	9600BPS	STD.	FAX MOD	COVER OPEN
13	FAX ONLY	9600BPS	STD.		
14	FAX ONLY	?	?		
15	FAX ONLY	?	?		
16	FAX ONLY	?	?		
17	FAX ONLY	9600BPS	STD.		
18	FAX ONLY	9600BPS	FINE.	FAX MOD	
19	FAX ONLY	9600BPS	STD.	FAX MOD	
20	FAX ONLY	9600BPS	S-FINE.		
21	FAX ONLY	9600BPS	FINE.		
22	FAX ONLY	9600BPS	FINE.	FAX MOD	
23	FAX ONLY	?	?	FAX MOD	
24	FAX ONLY	9600BPS	STD.	FAX MOD	
25	FAX ONLY	9600BPS	STD.	FAX MOD	
26	FAX ONLY	9600BPS	FINE.	FAX MOD	
27	FAX ONLY	9600BPS	FINE.		
28	FAX ONLY	9600BPS	STD.	FAX MOD	
29	FAX ONLY	9600BPS	FINE.	FAX MOD	
30	FAX ONLY	9600BPS	S-FINE.	FAX MOD	
31	FAX ONLY	9600BPS	STD.	FAX MOD	
32	FAX ONLY	9600BPS	STD.	FAX MOD	
33	FAX ONLY	?	?	FAX MOD	
34	FAX ONLY	9600BPS	STD.	FAX MOD	
35	FAX ONLY	9600BPS	STD.	FAX MOD	

NO RESPONSE DISAPPEARED ON JOURNAL

NO.	START TIME	RCV MODE	RCV-TRIG. (CNT.)
-----	------------	----------	------------------

YOUR LOGO :
YOUR FAX NO. :

JOURNAL3

1 Jan. 2007 1:58PM

NO.	ENCODE	MSLT	EQM(RX)	ERROR	LINE(RX)	MAKER CODE
01	MR	10msec	007A	00000		0E
02	MR	20msec	016B	00000		00
03	MH	10msec	0000	00000		00
04	MR	20msec	019B	00003		00
05	MR	20msec	0156	00011		00
06	MR	20msec	0113	00000		00
07	MR	5msec	0000	00000		79
08	MR	5msec	0000	00000		79
09	MR	0msec	0000	00000		19
10	MR	20msec	0100	00000		00
11	MR	10msec	0073	00000		0E
12	MR	20msec	012B	00000		00
13	MH	20msec	0000	00000		79
14	MH	20msec	0000	00000		00
15	MH	20msec	0000	00000		00
16	MH	20msec	0000	00000		00
17	MR	5msec	0000	00000		79
18	MR	10msec	00AB	00004		0E
19	MR	20msec	0124	00000		00
20	MR	20msec	0000	00000		00
21	MR	20msec	0000	00000		00
22	MR	20msec	0135	00000		00
23	MR	20msec	0000	00000		00
24	MR	20msec	01BC	00000		00
25	MR	20msec	01AC	00000		00
26	MR	20msec	020F	00000		00
27	MR	10msec	0000	00000		0E
28	MR	20msec	01DF	00000		00
29	MR	20msec	01EA	00000		00
30	MR	20msec	00CD	00000		00
31	MR	20msec	02F8	00000		0E
32	MR	10msec	04F8	00000		0E
33	MR	10msec	0000	00000		00
34	MR	20msec	03B6	00000		0E
35	MH	20msec	00E0	00000		00

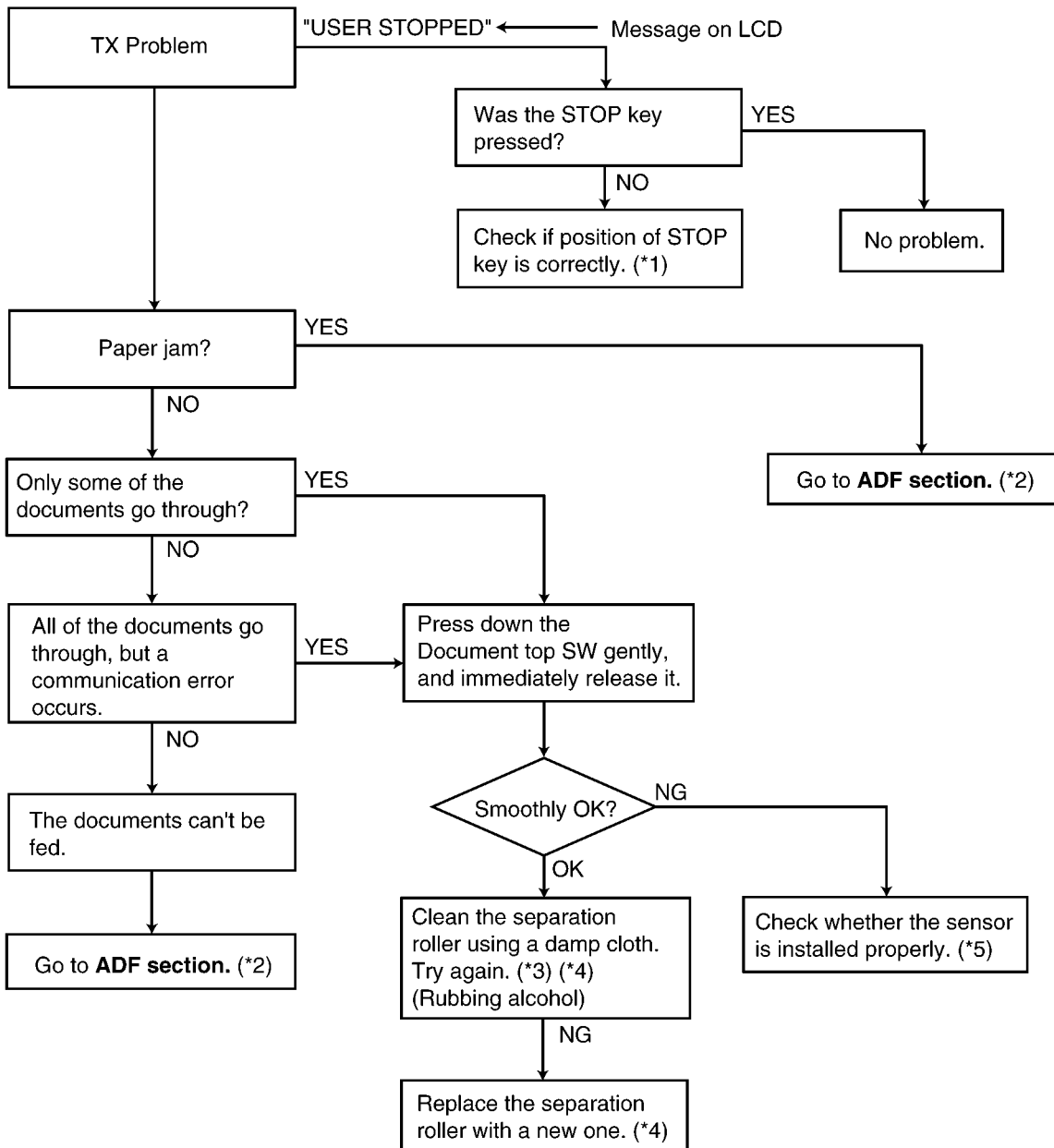
12.3.2. Communication Section

Find the problem in the table shown below, and refer to the corresponding troubleshooting procedure in **12.3.2.1.Defective Facsimile Section** (P.90).

No.	Symptom	Reference Content	Possible cause
1	The paper is not fed properly when faxing. (Not in the copy mode.)	12.3.2.1.1.Transmit Problem (P.90)	Problem with the feeding mechanism. Refer to 12.5.4.ADF (Auto Document Feed) Section (P.104).
2	The fax usually transmits successfully but sometimes fails. (The unit can copy documents.)	12.3.2.1.2.Sometime there is a transmit problem (P.91)	Problem with the service line or with the receiver's fax.
3	The fax usually receives successfully but sometimes fails. (The unit can copy documents.)	12.3.2.1.3.Receive Problem (P.92)	Problem with the service line or with the transmitter's fax.
4	The fax completely fails to transmit or receive. (The unit can copy documents.)	12.3.2.1.4.The unit can copy, but cannot transmit / receive (P.93)	Problem with the electric circuit.
5	The fax fails either to transmit or receive when making a long distance or an international call. (The unit can copy documents.)	12.3.2.1.5.The unit can copy, but cannot either transmit/receive long distance or international communications (P.94)	Problem with the service line.
6	The fax image is poor when transmitting or receiving during a long distance or an international call.	12.3.2.1.6.The unit can copy, but the transmission and reception image are incorrect (P.96)	
7	No.1~No.5	<ul style="list-style-type: none"> • The troubleshooting procedure for each error code will be printed on the communication result report. • 12.3.Error Messages-Report (P.76) 	

12.3.2.1. Defective Facsimile Section

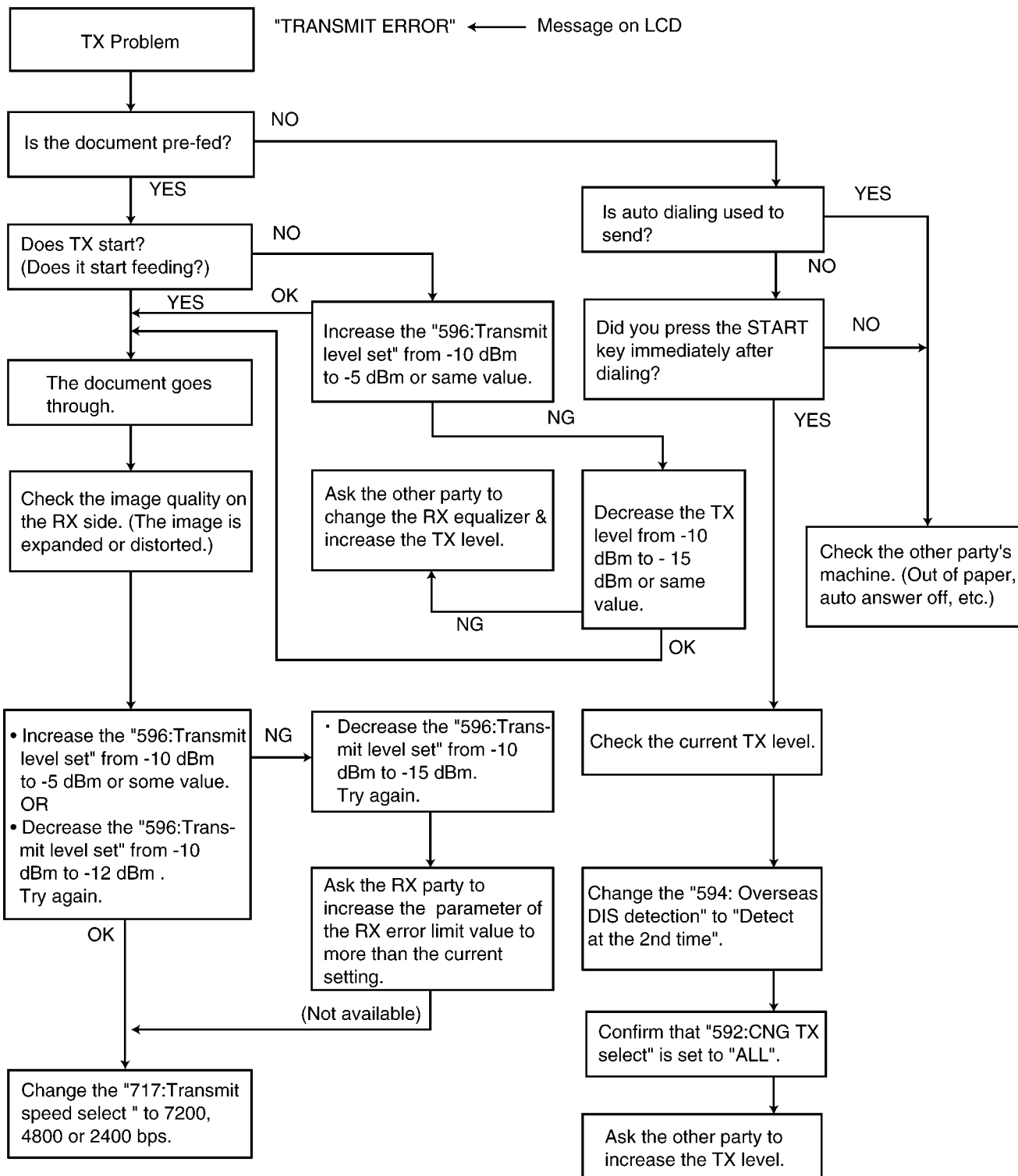
12.3.2.1.1. Transmit Problem



REFERENCE:

- (*1): 12.5.8.Operation Panel Section (P.129)
- (*2): 12.5.4.ADF (Auto Document Feed) Section (P.104)
- (*3): 15Maintenance (P.152)
- (*4): 14.2.13.HOW TO REMOVE THE MOTOR BLOCK AND SEPARATION ROLLER (P.149)
- (*5): 14.2.3.HOW TO REMOVE THE OPERATION BOARD AND LCD (P.139)

12.3.2.1.2. Sometime there is a transmit problem

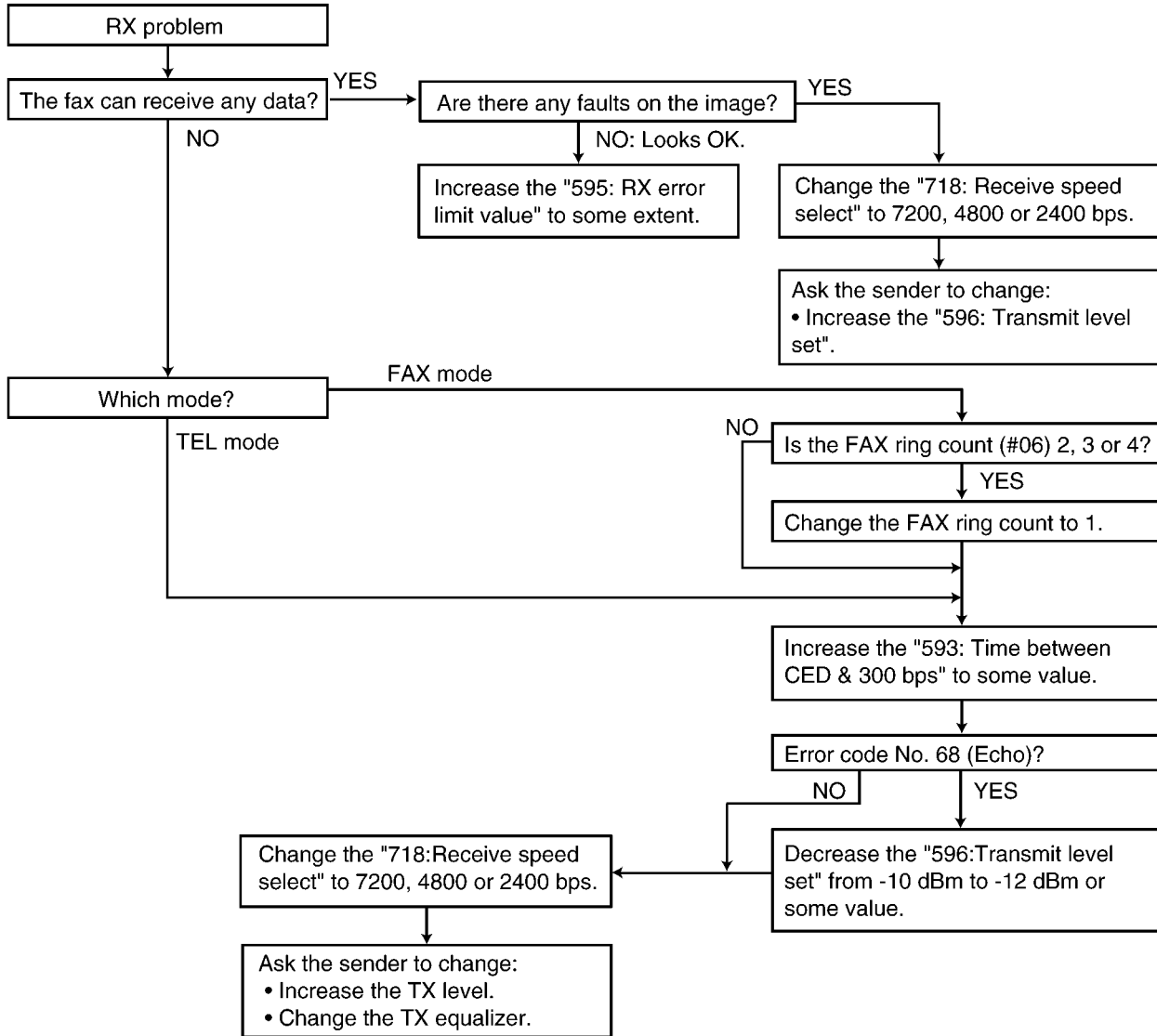


Note:

"596: Transmit level set" represents a service code. (Refer to 11.1.3.Service Function Table(P.65).)

12.3.2.1.3. Receive Problem

First confirm whether the recording paper is installed properly or not before starting troubleshooting. (Refer to "Remarks".)



Note:

- "596: Transmit level set" represents a service code. (Refer to 11.1.3.Service Function Table (P.65).)
- #06 : Refer to for 12.4.2.Program Mode Table (P.99) Fax ring count.

Remarks:

Regarding the reception problem, we have investigated the conceivable causes in the flow chart except for the software-related errors. However, some troubles may occur due to the software-related problems such as "OUT OF PAPER" when the fax switches to the memory receiving mode and the memory capacity becomes full of the unprintable data. In this case, error messages [MEMORY FULL] and its main cause, for example "CHECK PAPER" are displayed on the LCD. Once you solve the main problem, [MEMORY FULL] will be cancelled and the reception problem will be resolved.

LCD display messages indicating the error causes are shown below.

CHECK PAPER

COVER OPEN

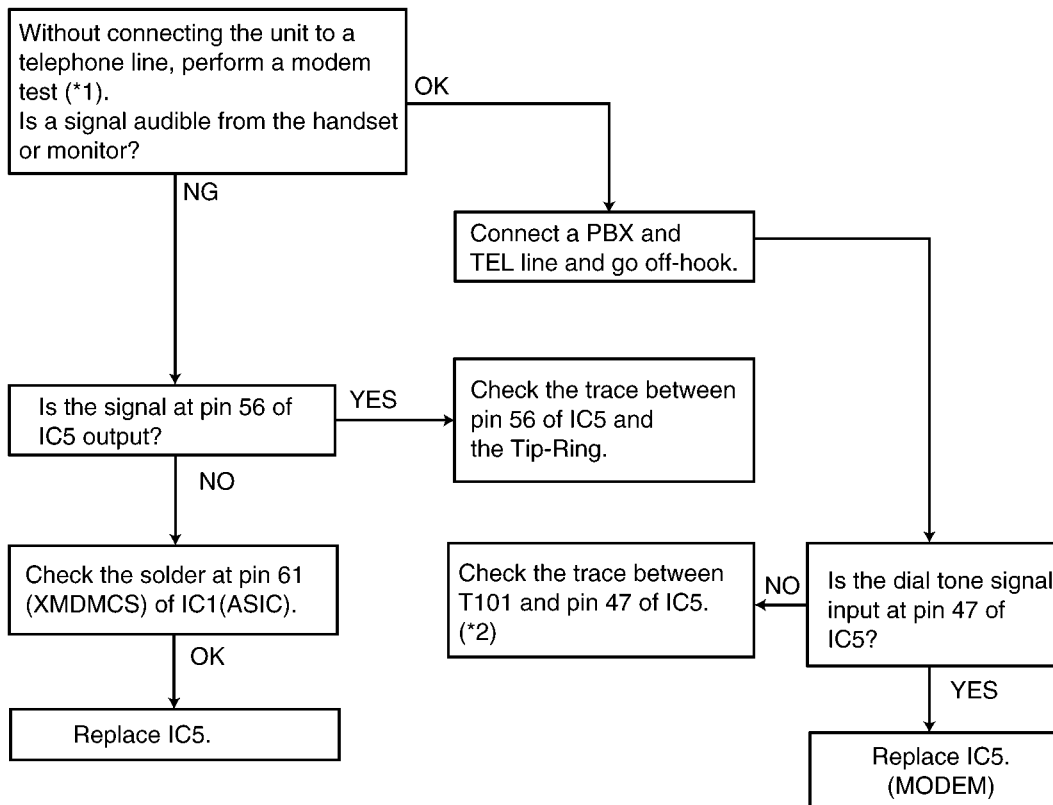
UNIT OVERHEATED (COVER OPEN, etc.)...Reset the unit.

PAPER JAMMED

CHECK FILM

Please refer to 12.2.Error Messages-Display (P.74) for the above items. If it turns out to be a hardware deformity, please check each sensor. (Refer to 10Test Mode (P.60).)

12.3.2.1.4. The unit can copy, but cannot transmit / receive



REFERENCE:

(*1): 10Test Mode (P.60)

(*2): 12.5.6.Analog Board Section (P.124)

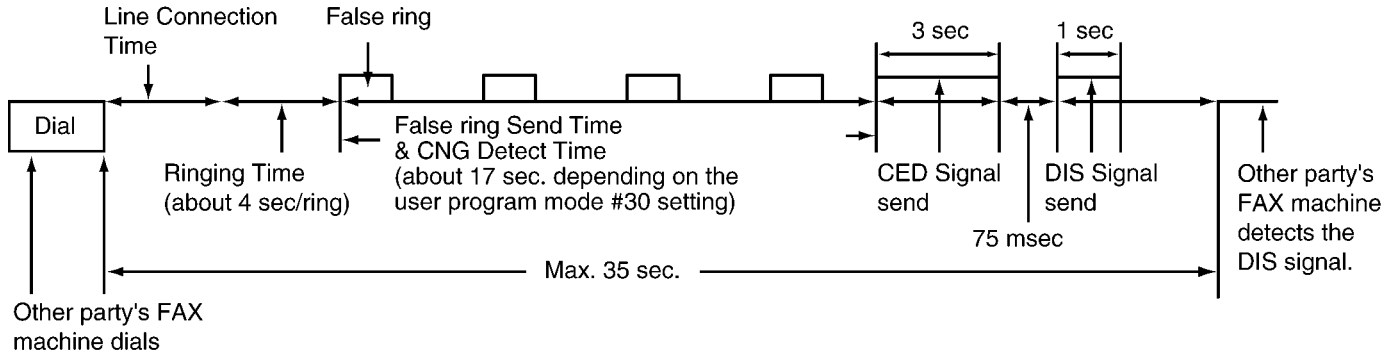
12.3.2.1.5. The unit can copy, but cannot either transmit/receive long distance or international communications

The following two causes can be considered for this symptom.

Cause 1:

The other party is executing automatic dialing, the call has been received by this unit, and the CED or DIS signal response time is too long. (In most cases, this unit detects the CNG signal and can respond to CED or DIS.) (According to the ITU-T standard, the communication procedure is cancelled when there is no response from the other party within 35 sec, so that the other party releases the line.)

(Response Time)

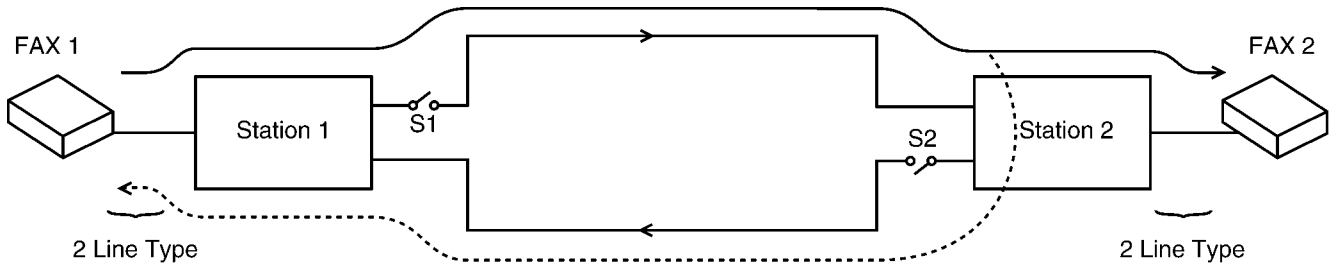


(Cause and Countermeasure)

As shown in the chart above, the total handshaking time must be reduced, but because of the long distance connection and linking of several stations, the line connection time cannot be reduced. Accordingly, the following countermeasures should be tried. (A)... As the 35 sec. count is started directly after dialing or directly after the START button has been pressed for models with a START button, the other party should be called manually, if possible. Another possibility is entering two pauses at the end of the auto dial number on the transmission side. Then the count start time can be delayed for 2 pauses (about 10 sec.).

Cause 2:

Erroneous detection because of an echo or an echo canceler.



(Echo/Echo Canceler)

The signal from FAX1 reaches FAX2 via stations 1 and 2, but the reflection signal at station 2 also returns via station 1 (echo). As the distance between station 1 and station 2 is far, the echo returns to FAX 1 at a max of 600 msec after transmission. There is a possibility that this signal is detected erroneously as the signal from FAX2. For a normal call, there is also a possibility that the echo of their own voice will make the call difficult to understand. For this reason, each station (station 1 and station 2) attaches echo cancelers (S1 and S2) for international lines or long distance lines. For the echo canceler, the level of the transmission signal from FAX 1 is compared with the level of the reception signal from FAX2. When the transmission signal is larger, S1 is closed while S2 is opened when it is smaller. In other words, for transmission from FAX1, S1 is closed and S2 is open, so that the echo does not return to FAX1.

(Causes and Countermeasures)

No.	Countermeasure Side	Echo Communication Problem Example	Countermeasure	Service Code
1	Sending side	Some time is needed to compare the level of the receiving and sending signals for the echo canceler. The header of the training signal lacks due to a switching delay to close S1.	Add a dummy signal to the beginning of the training signal.	Service code (521) (International mode select) This countermeasure becomes the default value.
2	Receiving side	The echo canceler function stops according to a CED signal frequency of 2100Hz (S1 and S2 are both ON), a DIS signal is returned as an echo, and a DCS signal from the sending side overlaps the DIS echo. Then the receiving side FAX cannot retrieve the DCS signal. (Refer to Fig. a)	Change to a 1100Hz CED signal frequency. (Refer to Fig. b)	Service code (520) (CED frequency select)
	Receiving side		Change the regular rime of 75 msec between the CED signal and DIS signal to 500 msec. This will give at least 250 msec to recover the echo canceler operation. (Refer to Fig. c)	Service code (593) (Time between CED and 300 bps)
	Sending side		The sending side FAX sends a DCS signal not after receiving the 1st DIS signal but after receiving the 2nd DIS signal. (Refer to Fig. d)	Service code (594) (Overseas DIS detection select)
3	Sending side	Communication failure occurs in a long distance communication on the telephone line without an echo canceler.	Decrease the transmission level from -10 dBm to -15 dBm and the echo level will decrease.	Service code (596) (Transmit level set)
4	Sending side	or	Decrease the receiving sensitivity from -13 dBm to about -32 dBm so an echo signal will not be received.	Service code (598) (Receiving sensitivity)
	Receiving side			
5	Sending side Receiving side	There are some cases (e.g. Mobil comms.) which cause the collision of TX / RX signals due to the delay / echo and noise of the network / terminal. (Refer to Fig. e)	Set additional Pause time (Service mode: code No. 774) in between the original and its repeated signals, to prevent the collision of the signals at both end.	Service code (774) (T4 timer)

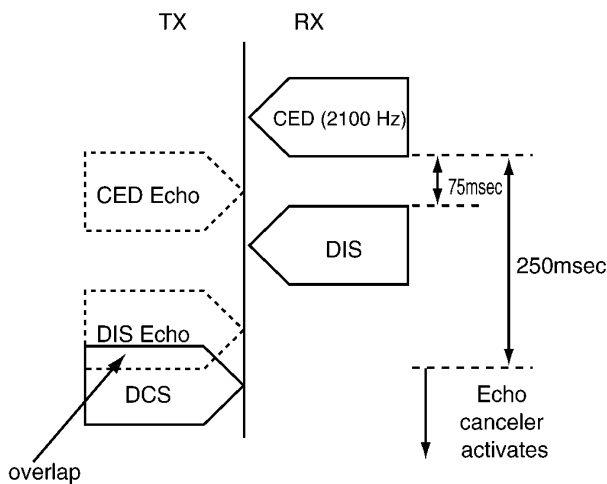


Fig. a

(Overlapping the Echo of the DIS signal and DCS signal)

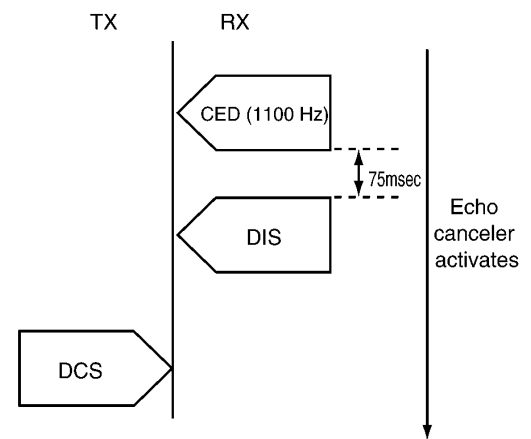


Fig. b

(Countermeasure by Changing the CED Frequency)

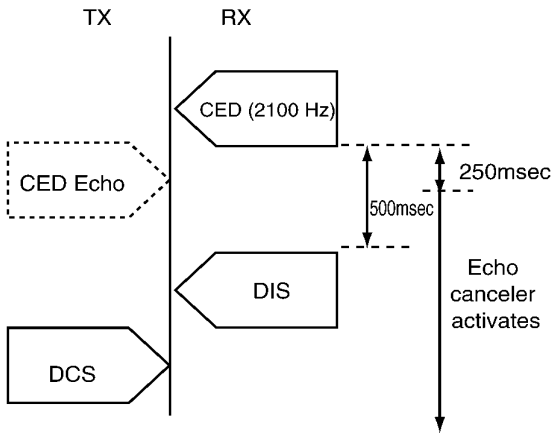


Fig. c
(Countermeasure by Changing the Interval Between CED and DIS)

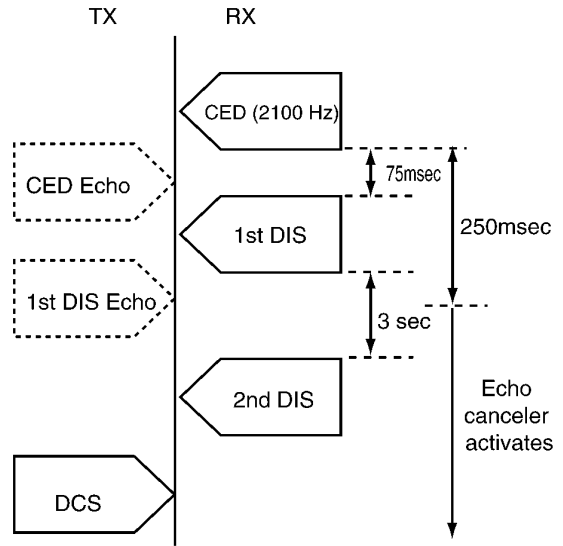
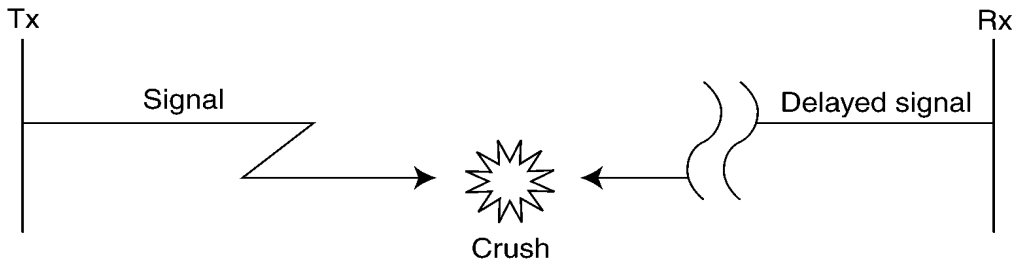


Fig. d
(Countermeasure by Ignoring the 1st DIS)

<TX side signal>	<RX side signal>	<Countermeasure>
2nd / 3rd DCS / Training	& delayed CFR / FTT	at TX side
2nd / 3rd EOP / EOM / MPS	& delayed MCF / PIP / PIN / RTP / RTN	at TX side
delayed DCS	& 2nd / 3rd / --- DIS	at RX side



(Fig. e)

12.3.2.1.6. The unit can copy, but the transmission and reception image are incorrect

(Long distance or international communication operation)

This symptom highly depends on the transmission and reception capability of the other FAX unit and the line conditions. The countermeasures for this unit are shown below.

Transmission Operation:

Set the transmitting speed to 4800BPS (service mode: code No. 717) or select the overseas mode.

Reception Operation:

If 80% or more of the reception is incorrect, set the receiving speed to 4800BPS. (Service mode: code No. 718)

- Refer to **11.1.3. Service Function Table** (P.65).

12.3.2.1.7. How to record fax signal by using PC

Recording FAX signal is one of the useful analysis measures to solve communication problems.

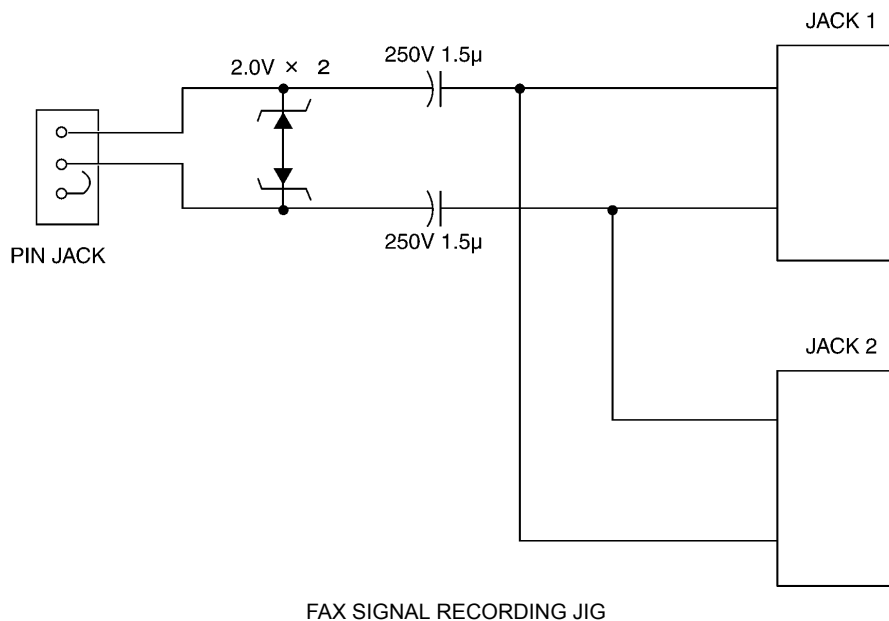
The way of recording easily by using PC is shown as follows.

1. Equipment

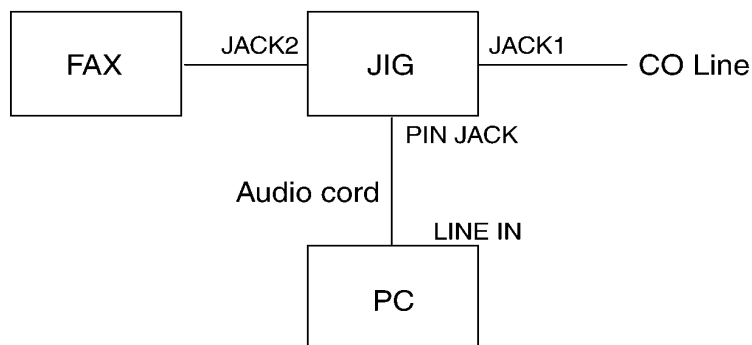
- 1 jig
- 1 PC (with LINE IN)
- 1 audio cord (mini jack supported)
- 2 tel cords

Parts No.	Parts Name & Description	Qt'y
PQJJ1T004Z	JACK1, JACK2	2
PQJJ1D010Z	PIN JACK	1
ECQE2155KF or ECQE2E155KC	CAPACITOR	2
MA4020	DIODE	2

2. Setting up



3. Connecting PC and JIG



4. PC setting and recording

1. Set LINE IN to be valid in the volume control setting.
Refer to the PC instruction book.
2. Start up the PC software "SOUND RECORDER". (This software is bundled to Windows OS, which can create WAV file.)
Set the audio format "PCM 22.050kHz, 8bit, mono".
3. Click the record button and start recording after acquisition the signal.

Note:

- Not to be wind wave patterns on the wave monitor.
- Please compress the recording data when you send attaching to E-Mail because the data size will be so heavy.
- Any software which can create WAV files is available.

12.4. Remote Programming

If, after the call is connected, the customer describes the situation and it is determined that the problem can be corrected by making parameter changes, this function makes it possible to change parameters such as the user code and service code from another fax (using DTMF tones). Therefore, travel to the customer's location is not required. However, it is not possible to change all the parameters remotely (**12.4.2. Program Mode Table (P.99)**). The function used to accomplish this is remote programming.

First, in order to check the current status of the service code parameter, print out the setup list (code: 991) and the service list (code: 999) from the customer's fax machine.

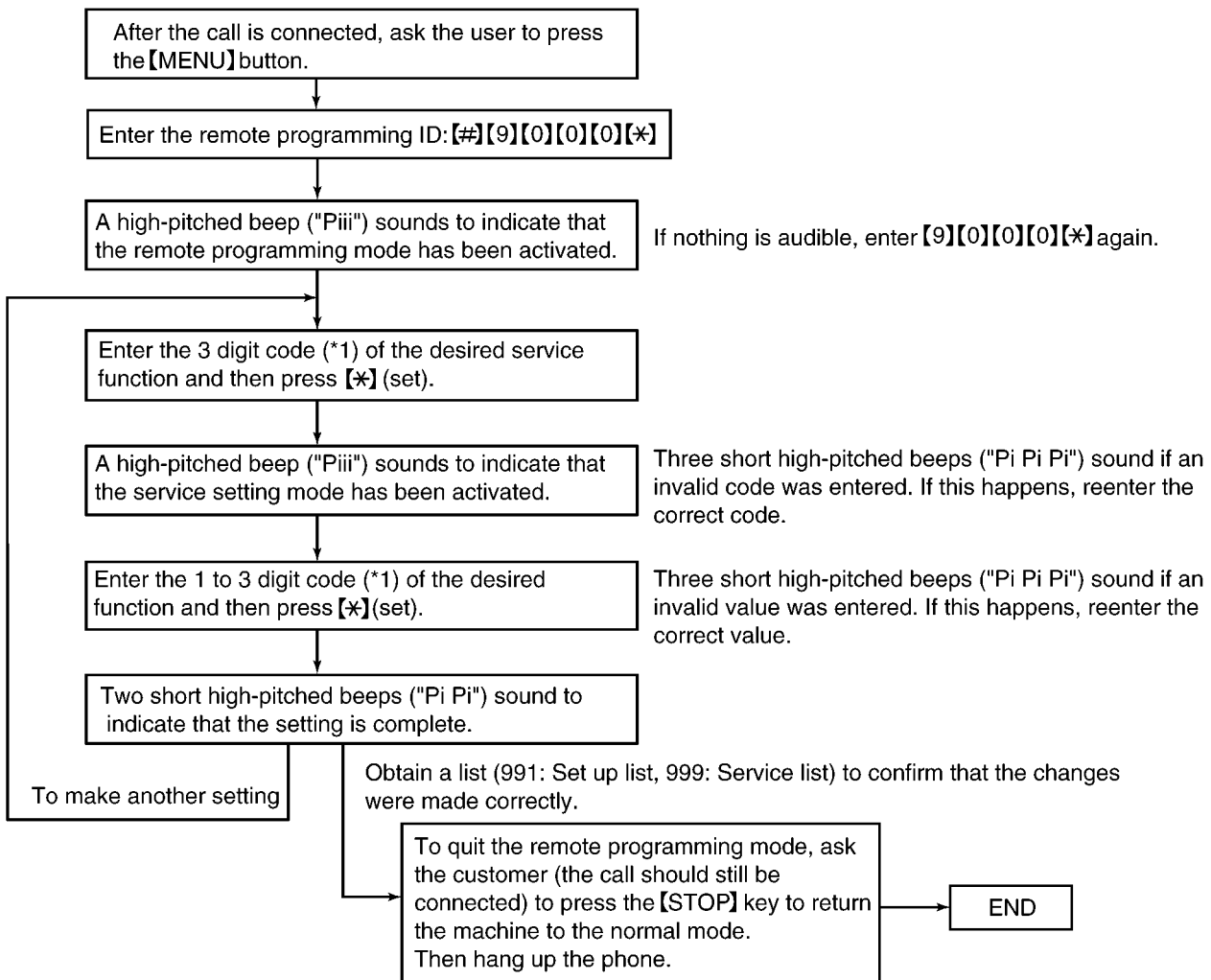
Based on this, the parameters for the desired codes can be changed.

The procedure for changing and listing parameters is described on **12.4.1. Entering the Remote Programming Mode and Changing Service Codes (P.98)**. Also, before exiting the remote programming mode, it is advisable to obtain a new list to confirm that the changes were made correctly.

Hints:

Since the connected telephone is in use during the remote programming mode, it may be helpful to ask the customer to switch to the speakerphone. This frees the customer from the need to remain right next to the fax while you are making parameter settings. When finished, inform the customer. Also note that in very noisy locations where the DTMF tones are not audible, the remote programming function will not work.

12.4.1. Entering the Remote Programming Mode and Changing Service Codes



Note:

(*1): Refer to **12.4.2. Program Mode Table (P.99)**

12.4.2. Program Mode Table

Code	Function	Set Value	Default	Remote Setting
001	Set date and time	dd/mm/yy hh:mm	01/01/2007	NG
002	Your logo	-----	None	NG
003	Your FAX number	-----	None	NG
004	Print confirmation report	1:ERROR / 2:ON / 3:OFF	ERROR	OK
006	Fax ring count	1~9	2	OK
013	Dialing mode	1:PULSE / 2:TONE	TONE	OK
016	Paper Size (KX-FP701CX ONLY)	1:A4 / 2:LETTER	LETTER	OK
017	Ringer tone	TONE 1 / TONE 2 / TONE 3	TONE 1	NG
022	Journal auto print	1:ON / 2:OFF	ON	OK
023	Overseas mode	1:NEXT FAX / 2:ERROR / 3:OFF	ERROR	OK
025	Delayed transmission	ON / OFF	OFF	NG
026	Auto caller's list	1:ON / 2:OFF	OFF	OK
034	Quick scan	1:ON / 2:OFF	OFF	OK
036	RCV reduction	1:92% / 2:86% / 3:72% / 4:100%	92%	OK
039	LCD contrast	NORMAL / DARKER	NORMAL	NG
041	FAX activation code	ON / OFF	ON ID=✳#9	NG
044	Memory receive alert	1:ON / 2:OFF	ON	OK
046	Friendly reception	1:ON / 2:OFF	ON	OK
049	Auto disconnect	ON / OFF	ON CODE=✳0	OK
058	Scan contrast	1:Normal / 2:Darker / 3:Light	Normal	OK
068	ECM Selection	1:ON / 2:OFF	ON	OK
072	Set flash mode	1:90 / 2:100 / 3:110 / 4:160 / 5:200 / 6:250 / 7:300 / 8:400 / 9:600 / 0:80 / 𠄎:900 / ✳:700	600ms	OK
073	Manual answer mode	1:TEL / 2:TEL/FAX	TEL	OK
076	Connecting tone	1:ON / 2:OFF	ON	OK
078	TEL/FAX delayed ring	1~9	2	OK
080	Set default	YES / NO	NO	NG
501	Pause time set	001~600 x 100msec	030 x 100msec	OK
503	Dial speed	1:10pps / 2:20 pps	10pps	OK
514	Bell detection time	1~9 x 100msec	6 x 100msec	OK
520	CED frequency select	1:2100Hz / 2:1100Hz	2100Hz	OK
521	International mode select	1:ON / 2:OFF	ON	OK
522	Auto standby select	1:ON / 2:OFF	ON	OK
523	Receive equalizer select	1:0km / 2:1.8km / 3:3.6km / 4:7.2km	0km	OK
524	Transmission equalizer select	1:0km / 2:1.8km / 3:3.6km / 4:7.2km	0km	OK
544	Document feed position adjustment value set	1~9	5	OK
550	Memory clear	-----	-----	NG
551	ROM check	-----	-----	NG
552	DTMF signal tone test	1:ON / 2:OFF	OFF	OK
553	Monitor on FAX communication	1:OFF / 2:Phase B / 3:ALL	OFF	OK
554	Modem test	-----	-----	NG
555	Scanner test	-----	-----	NG
556	Motor test	-----	-----	NG
557	LED test	-----	-----	NG
558	LCD test	-----	-----	NG
559	Document jam detection	1:ON / 2:OFF	ON	OK
561	Key test	-----	-----	NG
567	T1 timer	001~255 sec	046	OK
570	Break % select	1:61% / 2:67%	61%	OK
571	ITS auto redial time set	00~99	05	OK
572	ITS auto redial line disconnection time set	001~999sec	185sec	OK
573	Remote turn-on ring number	00~99	10	OK
590	FAX auto redial time set	00~99	05	OK
591	FAX auto redial line disconnection time set	001~999sec	185sec	OK
592	CNG transmit select	1:OFF / 2:ALL / 3:AUTO	ALL	OK
593	Time between CED and 300 bps	1:75ms / 2:500ms / 3:1sec	75ms	OK

Code	Function	Set Value	Default	Remote Setting
594	Overseas DIS detection	1:1st / 2:2nd	1st	OK
595	Receive error limit value	1:5% / 2:10% / 3:15% / 4:20%	10%	OK
596	Transmit level set	-15~00dbm	-11dbm	OK
598*1	Receiving Sensitivity	-20~-48dbm	-42dbm	OK
599	ECM Frame size	1:256 / 2:64	256byte	OK
710	Memory clear except History data	-----	-----	NG
717	Transmit speed select	1:9600/ 2:7200/ 3:4800/ 4:2400	9600bps	OK
718	Receive speed select	1:9600/ 2:7200/ 3:4800/ 4:2400	9600bps	OK
722	Redial tone detect	1:ON / 2:OFF	ON	OK
745	Power on film feed	1:ON / 2:OFF	ON	OK
763	CNG detect time for friendly reception	1:10s / 2:20s / 3:30s	30s	OK
773	DIS-DCS interval	1:500msec / 2:200msec	200ms	OK
774	T4 timer	00~99 x 100ms	00ms	OK
815	Sensor & VOX test	-----	-----	NG
852	Print test pattern	-----	-----	NG
853	Top margin	1~9 mm	5	OK
861	Paper size	1:A4 / 2:LETTER	A4	OK
874	DTMF ON time	06~20 x 10msec	10 x 10msec	OK
875	DTMF OFF time	06~20 x 10msec	10 x 10msec	OK
880	History list	1:Start	-----	NG
881	Journal 2	1:Start	-----	NG
882	Journal 3	1:Start	-----	NG
961	TEL/FAX pseudo ring back time	01~10 sec	07sec	OK
962	TEL/FAX pseudo ring back time and bell time	05~30 sec	10sec	OK
991	Remote Setup list	1:Start	-----	OK
994	Remote Journal list	1:Start	-----	OK
995	Remote Journal 2 list	1:Start	-----	OK
996	Remote Journal 3 list	1:Start	-----	OK
998	Remote History list	1:Start	-----	OK
999	Remote Service list	1:Start	-----	OK

OK means "can set".

NG means "can not set".

Note:

- *1 : Power is OFF/ON after changing this set value.
- Refer to **11.1.3.Service Function Table** (P.65) for descriptions of the individual codes.

Example:

If you want to set value in the "004 Print confirmation report", press the dial key number 1,2 or 3 corresponding to the Set Value you want to select. (1:ERROR / 2:ON / 3:OFF)

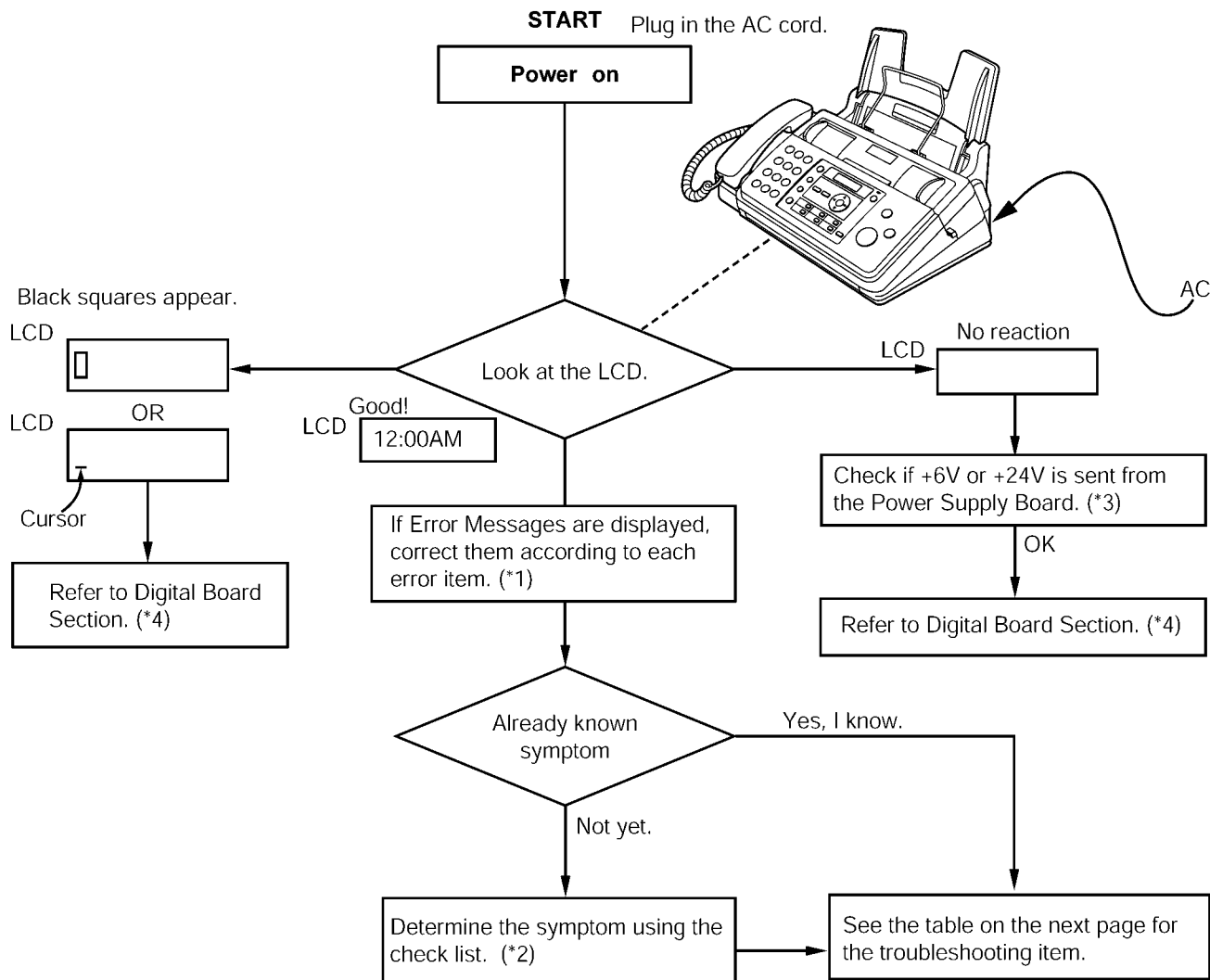
12.5. Troubleshooting Details

12.5.1. Outline

Troubleshooting is for recovering quality and reliability by determining the broken component and replacing, adjusting or cleaning it as required. First, determine the problem then decide the troubleshooting method. If you have difficulty finding the broken part, determine which board is broken. (For example: the Digital PCB, Analog PCB, etc.) The claim tag from a customer or dealer may use different expressions for the same problem, as they are not a technician or engineer. Using your experience, test the problem area corresponding to the claim. Also, returns from a customer or dealer often have a claim tag. For these cases as well, you need to determine the problem. Test the unit using the simple check list on **12.5.3.1.Simple Check List** (P.103). Difficult problems may be hard to determine, so repeated testing is necessary.

12.5.2. Starting Troubleshooting

Determine the symptom and the troubleshooting method.



REFERENCE:

- (*1): 12.2.Error Messages-Display (P.74)
- (*2): 12.5.3.1.Simple Check List (P.103)
- (*3): 12.5.7.Power Supply Board Section (P.126)
- (*4): 12.5.5.Digital Board Section (P.117)

12.5.3. Troubleshooting Items Table

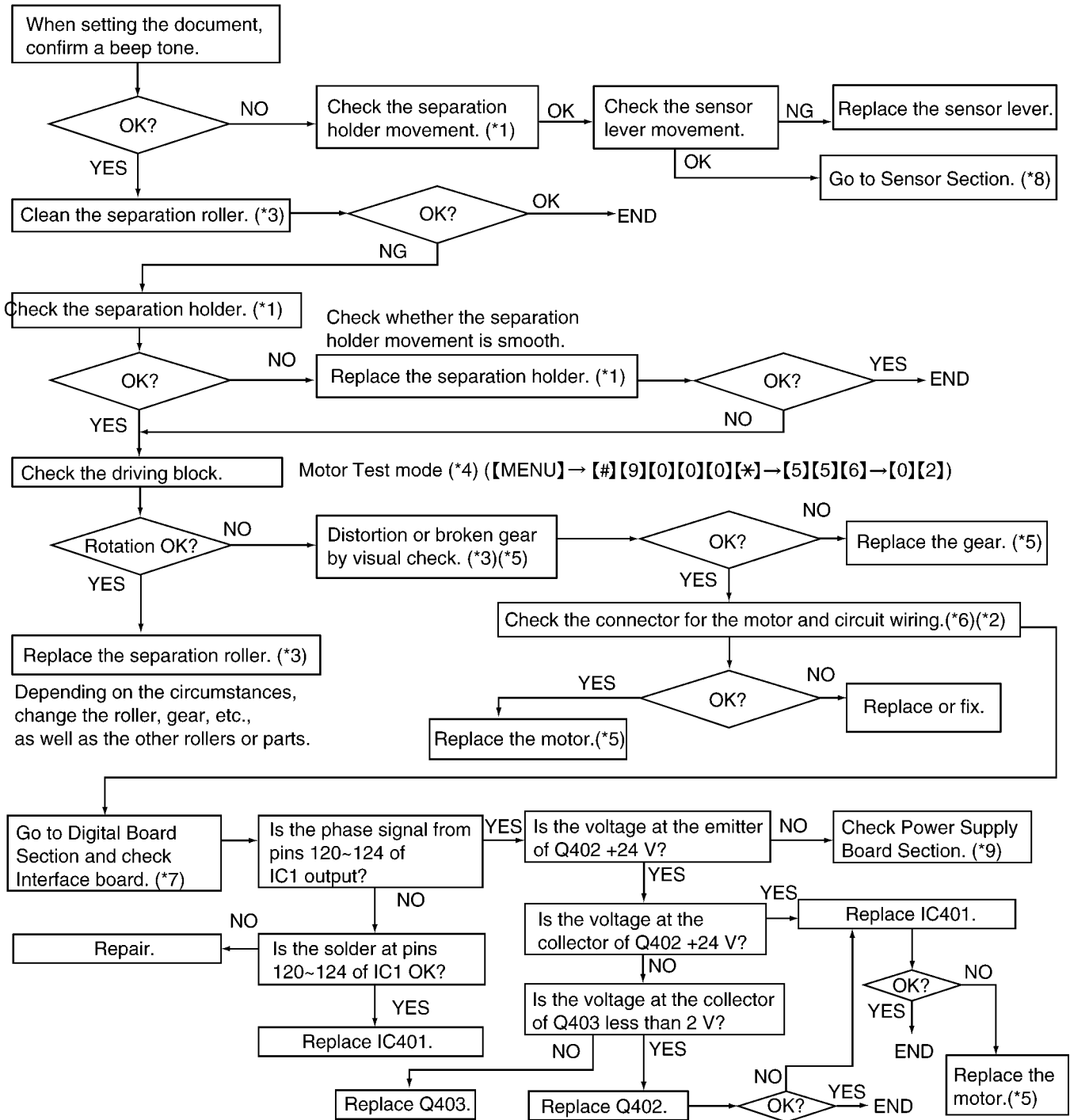
ITEM	SYMPTOM	REFERENCE
ADF (Auto Document Feeder)	The document does not feed.	See 12.5.4.1.No Document Feed (P.104)
	Document jam	See 12.5.4.2.Document Jam (P.105)
	Multiple feed	See 12.5.4.3.Multiple Document Feed (P.106)
	Skew	See 12.5.4.4.Document Skew (P.107)
Recording paper feed	The recording paper does not feed.	See 12.5.4.5.The Recording Paper does not Feed (P.108)
	Paper jam	See 12.5.4.6.Paper Jam (P.109)
	Multiple feed and skew	See 12.5.4.7.Recording Paper Multiple Feed and Skew (P.110)
Printing	The sent fax data is skewed.	See 12.5.4.8.The Sent Fax Data is Skewed (P.110)
	The received fax data is skewed.	See 12.5.4.9.The Received Fax Data is Skewed (P.110)
	The received or copied data is expanded.	See 12.5.4.10.Received or Copied Data is Expanded (P.111)
	A black page is copied.	See 12.5.4.11.A Blank Page is Copied (P.112)
	A blank page is received.	See 12.5.4.12.A Blank Page is Received (P.114)
	Black or white vertical line	See 12.5.4.13.Black or White Vertical Line (P.114)
	Black or white lateral line on print out	See 12.5.4.14.Black or White Lateral Line on Print Out (P.115)
	An abnormal image is printed	See 12.5.4.15.An Abnormal Image is Printed (P.116)
Communication FAX, TEL (Analog board)	Cannot communicate by fax. An error code is displayed.	See 12.3.2.Communication Section (P.89) and Journal Report (P.76)
	Cannot talk. The DTMF tone doesn't work. The handset / monitor doesn't work, etc.	See 12.5.6.Analog Board Section (P.124)
Operation panel	Keys are not accepted.	See 12.5.8.Operation Panel Section (P.129)
Sensor	If the electric circuit is the cause, the error message corresponding to the sensor will be displayed.	See 12.5.9.Sensor Section (P.130)

12.5.3.1. Simple Check List

SERIAL NO.		DATE	
FUNCTION		JUDGEMENT	REFERENCE
FAX operation	Transmission	OK / NG	
	Receiving	OK / NG	
Copy operation		OK / NG	
Telephone operation	Handset transceiver / receiver	OK / NG	
	MONITOR	OK / NG	
	Ringer sound	OK / NG	
	Dial operation	OK / NG	
	Volume operation	OK / NG	
Operation Panel	Key check	OK / NG	Service code #561 (Refer to 10Test Mode (P.60).)
	LED check	OK / NG	Service code #557 (Refer to 10Test Mode (P.60).)
	LCD check	OK / NG	Service code #558 (Refer to 10Test Mode (P.60).)
Sensor	Sensor check	OK / NG	Service code #815 (Refer to 10Test Mode (P.60).)
Clock	Display changing	OK / NG	Is the time kept correctly? Check with another clock.

12.5.4. ADF (Auto Document Feed) Section

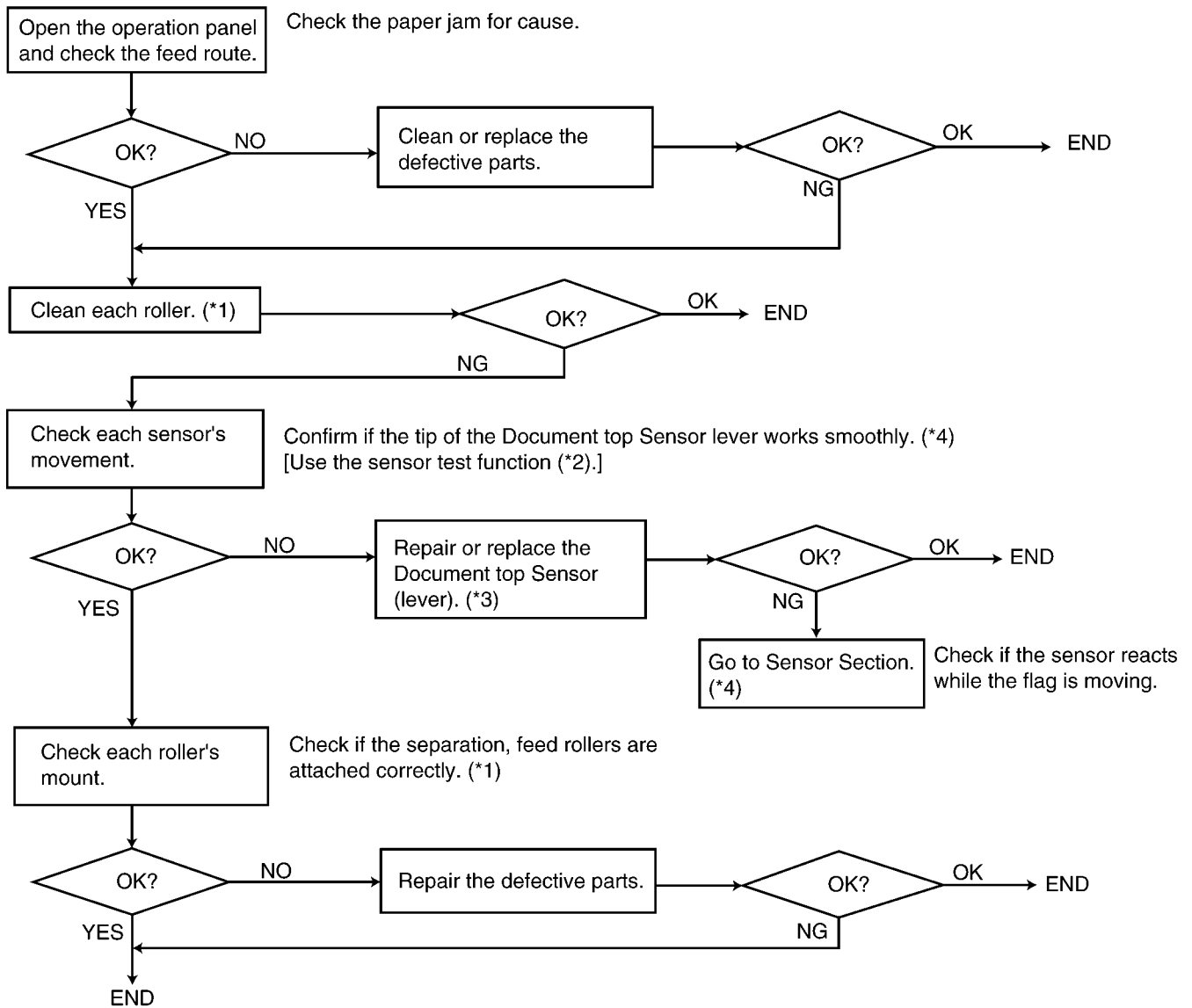
12.5.4.1. No Document Feed



REFERENCE:

- (*1): 14.2.4.HOW TO REMOVE THE SEPARATION HOLDER AND EXIT ROLLER (P.140)
- (*2): 14.2.15.INSTALLATION POSITION OF THE LEAD WIRES (P.151)
- (*3): 14.2.13.HOW TO REMOVE THE MOTOR BLOCK AND SEPARATION ROLLER (P.149)
- (*4): 10Test Mode (P.60)
- (*5): 14.2.14.HOW TO REMOVE THE GEARS OF MOTOR BLOCK (P.150)
- (*6): 6.4.5.Stepping Motor Drive Circuit (RX) (P.27)
- (*7): 12.5.5.Digital Board Section (P.117)
- (*8): 12.5.9.Sensor Section (P.130)
- (*9): 12.5.7.Power Supply Board Section (P.126)

12.5.4.2. Document Jam



REFERENCE:

(*1): 14Disassembly and Assembly Instructions (P.135)

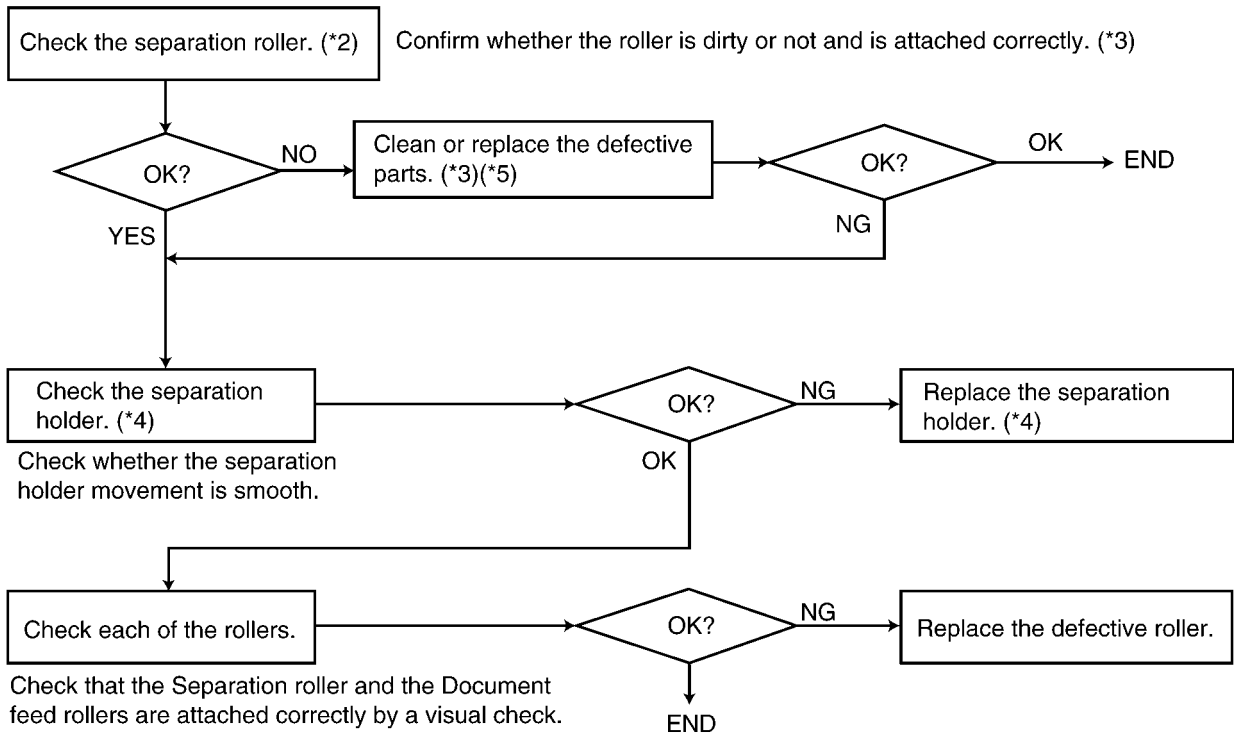
(*2): 10Test Mode (P.60)

(*3): 14.2.4.HOW TO REMOVE THE SEPARATION HOLDER AND EXIT ROLLER (P.140)

(*4): 12.5.9.Sensor Section (P.130)

12.5.4.3. Multiple Document Feed

- When using thick paper etc., sometimes the document will not be fed. (*1)

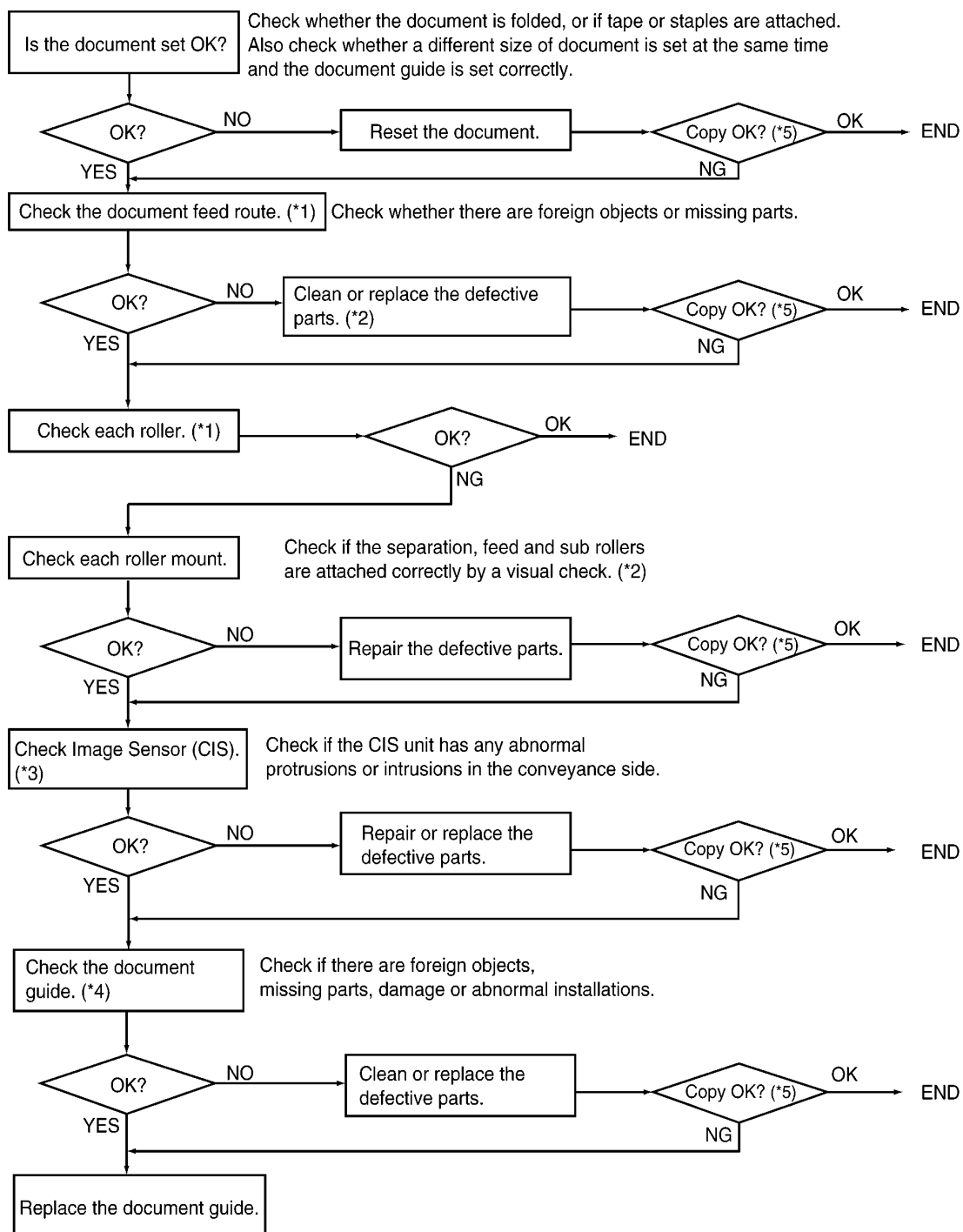


REFERENCE:

- (*1): 8.6.Installing the Recording Paper (P.57)
- (*2): 14.2.13.HOW TO REMOVE THE MOTOR BLOCK AND SEPARATION ROLLER (P.149)
- (*3): 14Disassembly and Assembly Instructions (P.135)
- (*4): 14.2.4.HOW TO REMOVE THE SEPARATION HOLDER AND EXIT ROLLER (P.140)
- (*5): 15Maintenance (P.152)

Note:
When confirming if the characters are extended or distorted, or if the feed problem is occurred, use this test chart format.
(Refer to 16.3.3.Test Chart (P.170).)

12.5.4.4. Document Skew



REFERENCE:

(*1): **15.1.Maintenance Items and Component Locations** (P.152)

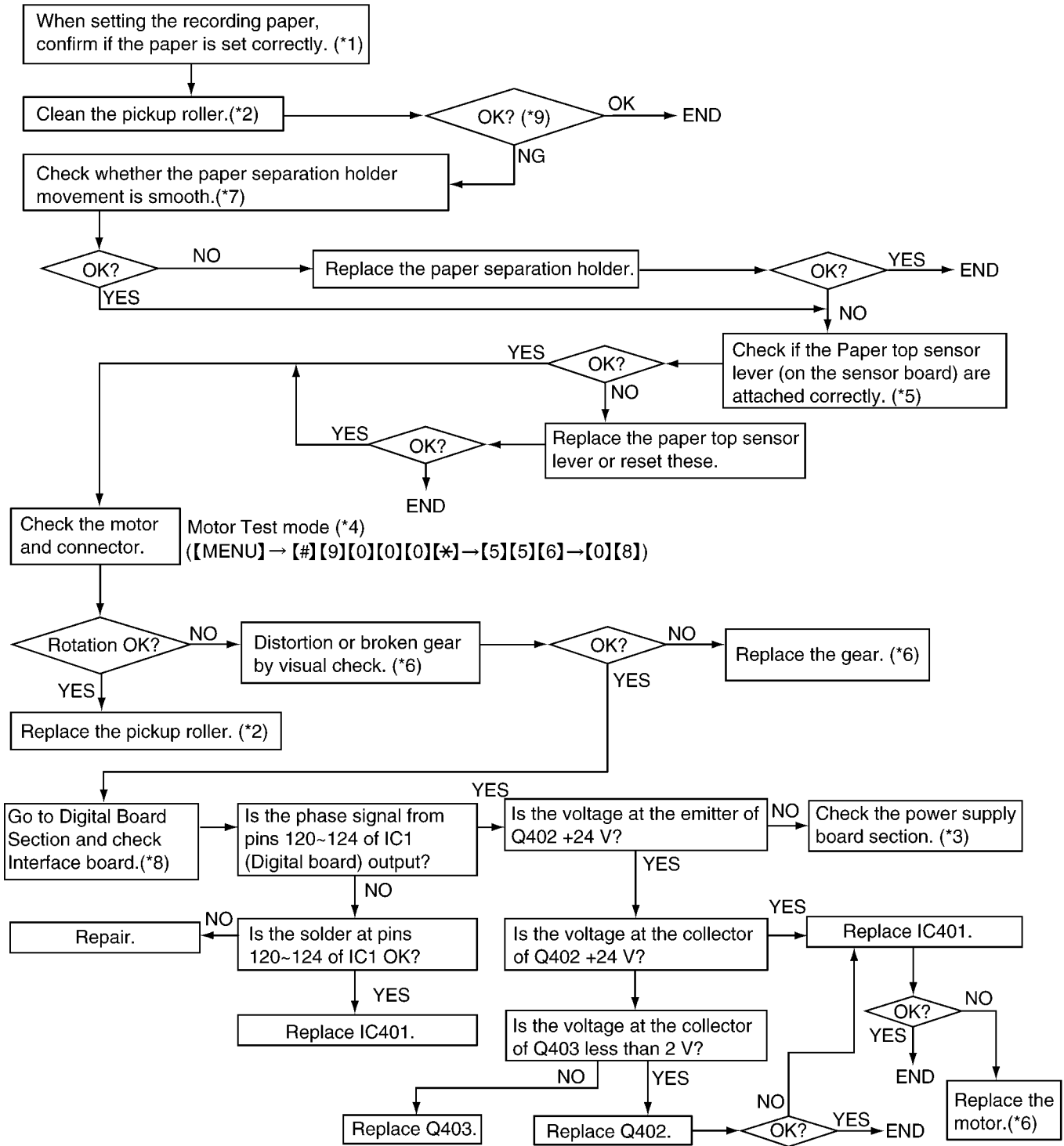
(*2): **14Disassembly and Assembly Instructions** (P.135)

(*3): **14.2.5.HOW TO REMOVE THE IMAGE SENSOR (CIS)** (P.141)

(*4): **7.1.Overview** (P.52)

(*5): We recommend making a copy of the test chart in **16.3.3.Test Chart** (P.170) and using it.

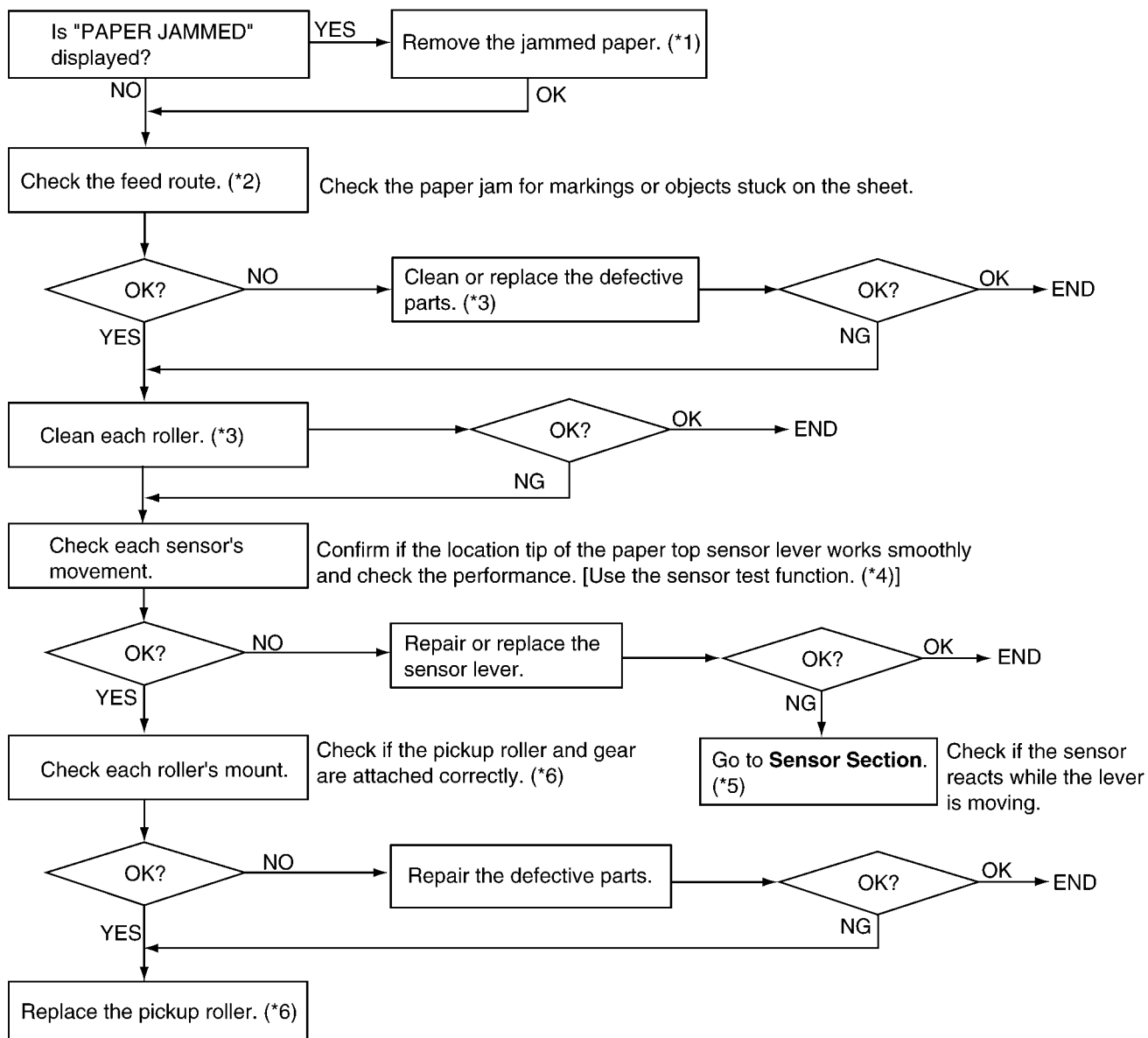
12.5.4.5. The Recording Paper does not Feed



REFERENCE:

- (*1): 8.6.Installing the Recording Paper (P.57)
- (*2): 14.2.8.HOW TO REMOVE THE PICKUP ROLLER (P.144)
- (*3): 12.5.7.Power Supply Board Section (P.126)
- (*4): 10Test Mode (P.60)
- (*5): 14.2.11.HOW TO REMOVE THE DIGITAL, ANALOG, SENSOR BOARDS (P.147)
- (*6): 14.2.14.HOW TO REMOVE THE GEARS OF MOTOR BLOCK (P.150)
- (*7): 14.2.7.HOW TO REMOVE THE PLATEN ROLLER AND BACK COVER (P.143)
- (*8): 12.5.5.Digital Board Section (P.117)
- (*9): We recommend making a copy of the test chart in 16.3.3.Test Chart (P.170) and using it.

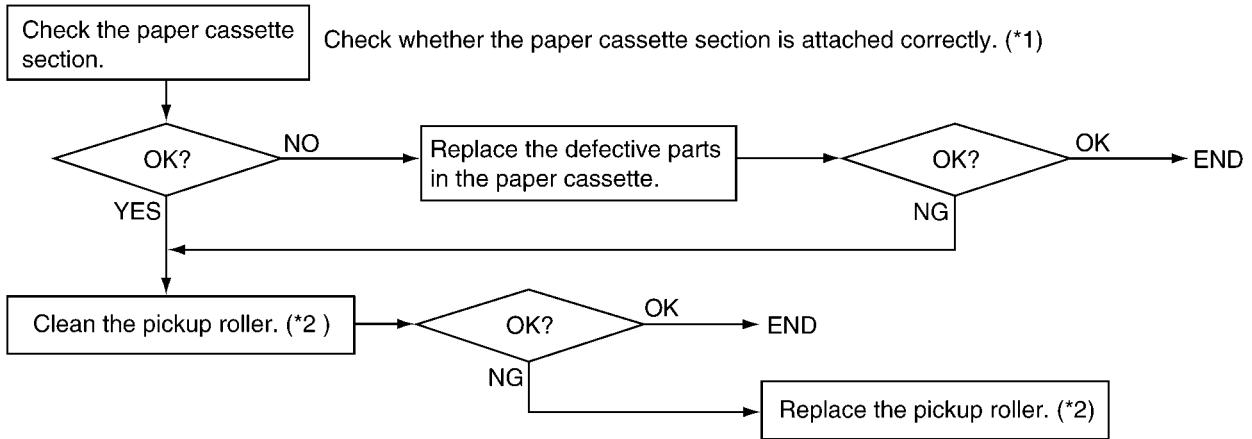
12.5.4.6. Paper Jam



REFERENCE:

- (*1): 15.3.Jams (P.159)
- (*2): 15.1.Maintenance Items and Component Locations (P.152)
- (*3): 14Disassembly and Assembly Instructions (P.135)
- (*4): 10Test Mode (P.60)
- (*5): 6.5.Sensors and Switches (P.31)
- (*6): 14.2.8.HOW TO REMOVE THE PICKUP ROLLER (P.144)

12.5.4.7. Recording Paper Multiple Feed and Skew

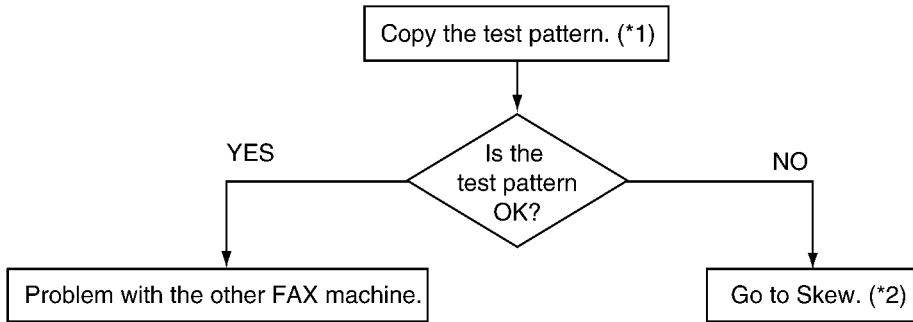


REFERENCE:

(*1): 14.2.7.HOW TO REMOVE THE PLATEN ROLLER AND BACK COVER (P.143)

(*2): 14.2.8.HOW TO REMOVE THE PICKUP ROLLER (P.144)

12.5.4.8. The Sent Fax Data is Skewed

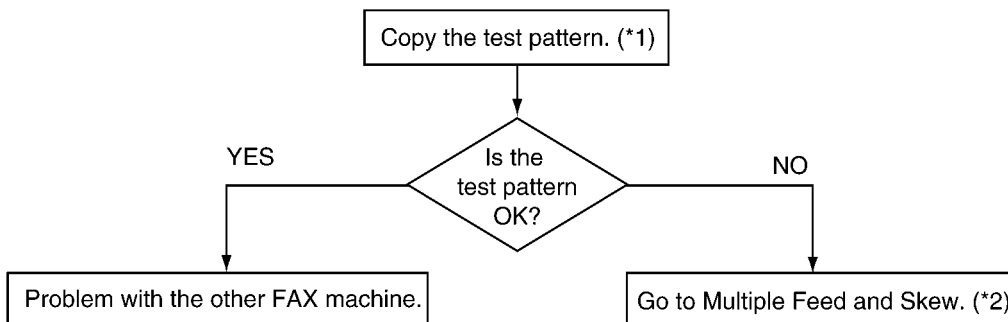


REFERENCE:

(*1): We recommend making a copy of the test chart in 16.3.3.Test Chart (P.170) and using it.

(*2): 12.5.4.4.Document Skew (P.107)

12.5.4.9. The Received Fax Data is Skewed

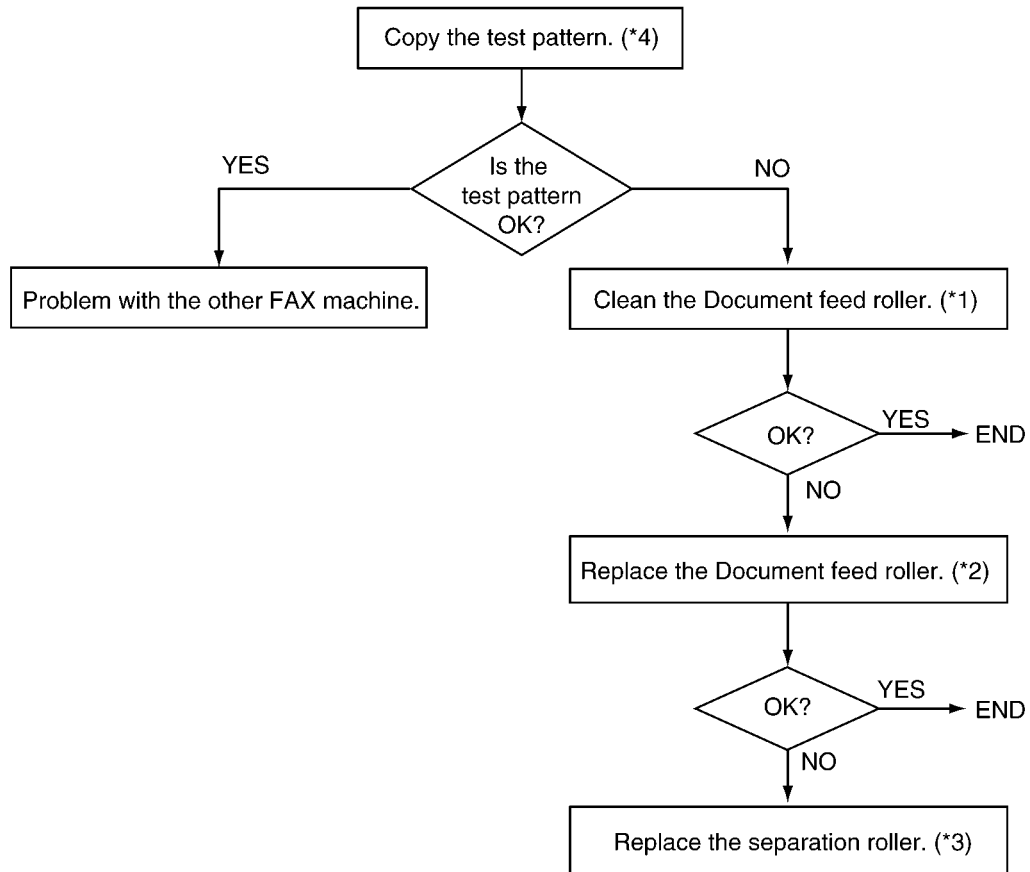


REFERENCE:

(*1): We recommend making a copy of the test chart in 16.3.3.Test Chart (P.170) and using it.

(*2): 12.5.4.7.Recording Paper Multiple Feed and Skew (P.110)

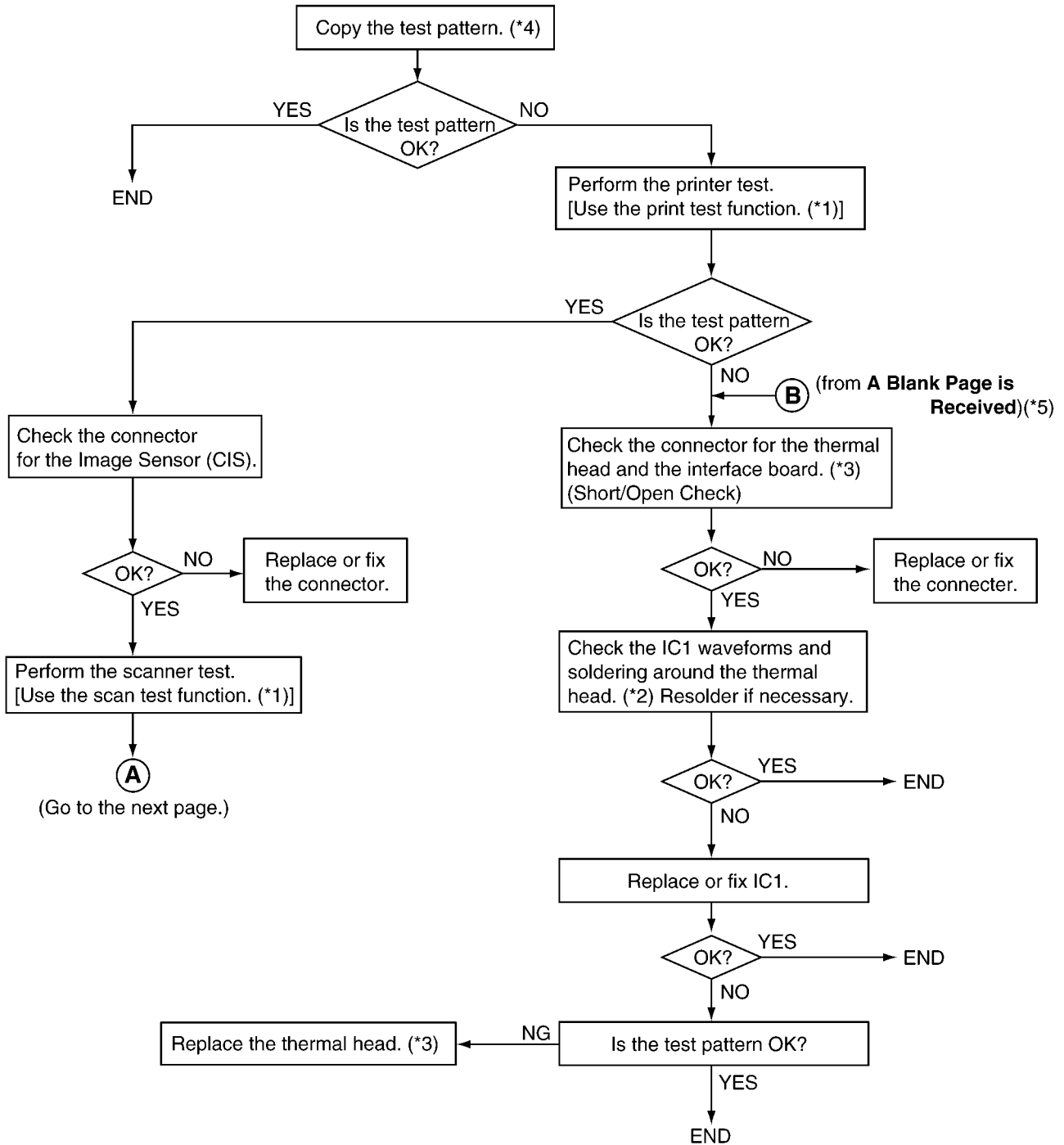
12.5.4.10. Received or Copied Data is Expanded



REFERENCE:

- (*1): 15.4.1.Document feeder/recording paper feeder/scanner glass cleaning (P.161)
- (*2): 14Disassembly and Assembly Instructions (P.135)
- (*3): 14.2.4.HOW TO REMOVE THE SEPARATION HOLDER AND EXIT ROLLER (P.140)
- (*4): We recommend making a copy of the test chart in 16.3.3.Test Chart (P.170) and using it.

12.5.4.11. A Blank Page is Copied



REFERENCE:

(*1): 10Test Mode (P.60)

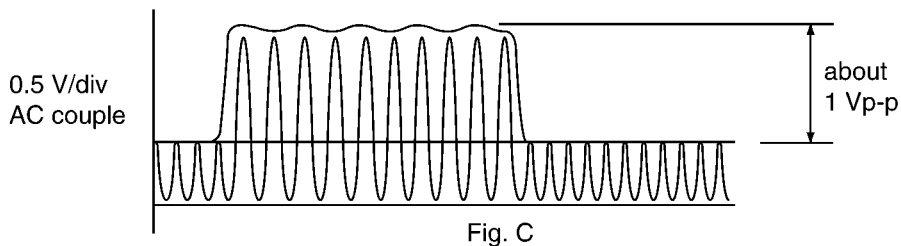
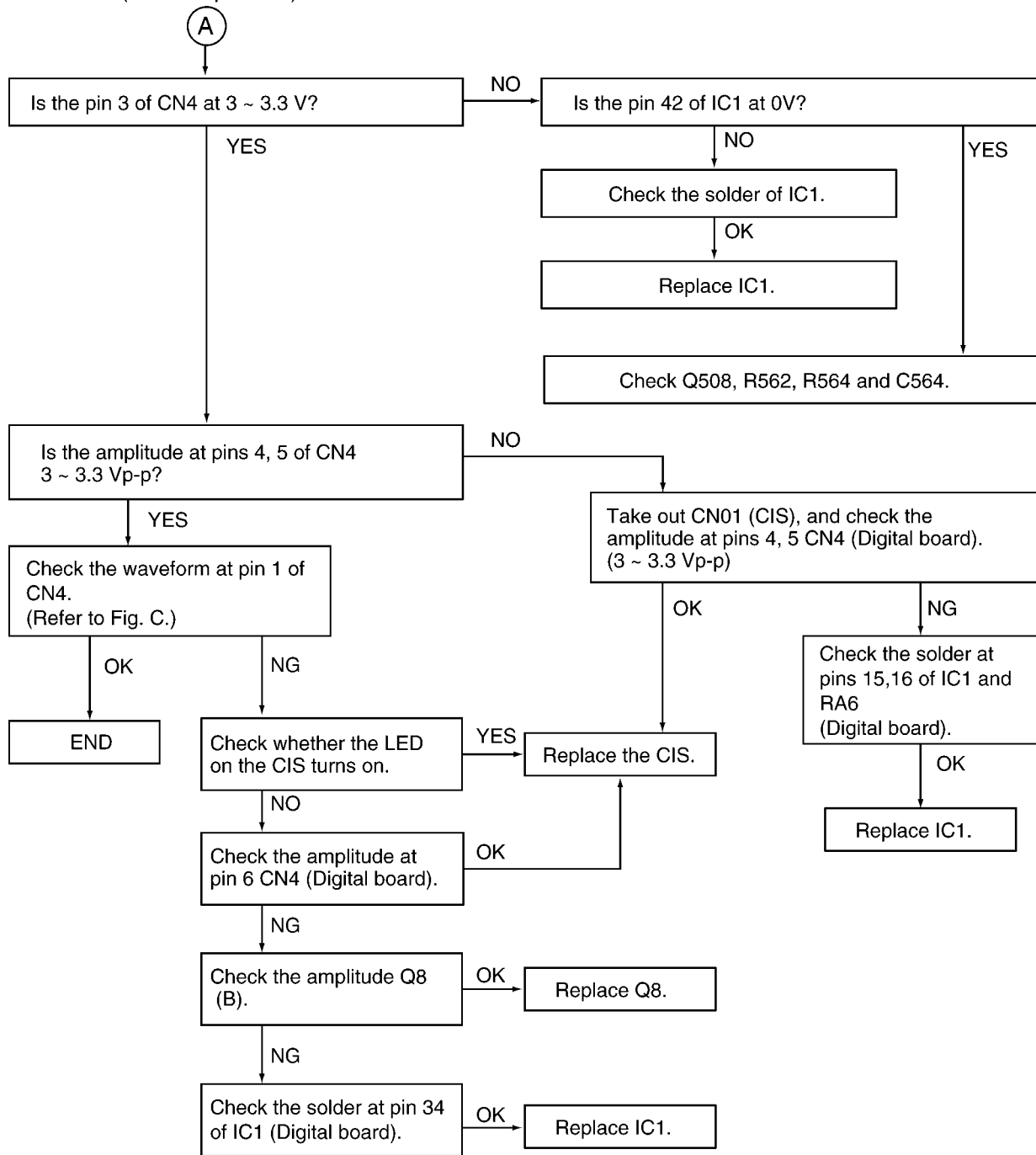
(*2): 6.4.3.Thermal Head (P.24)

(*3): 14.2.6.HOW TO REMOVE THE THERMAL HEAD (P.142)

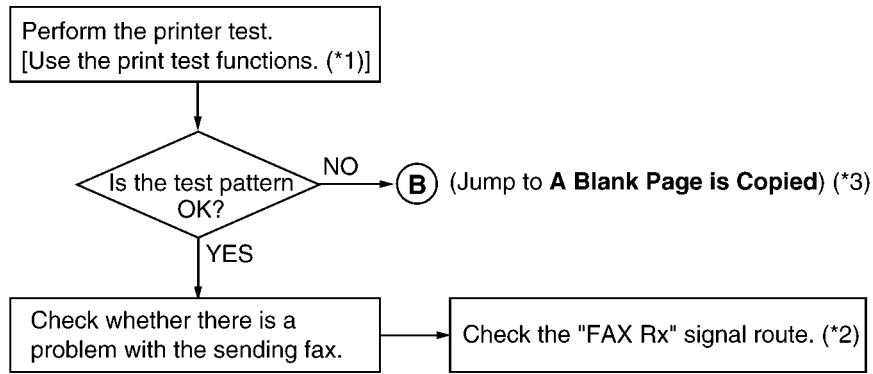
(*4): We recommend making a copy of the test chart in 16.3.3.Test Chart (P.170) and using it.

(*5): 12.5.4.12.A Blank Page is Received (P.114)

(From the previous)



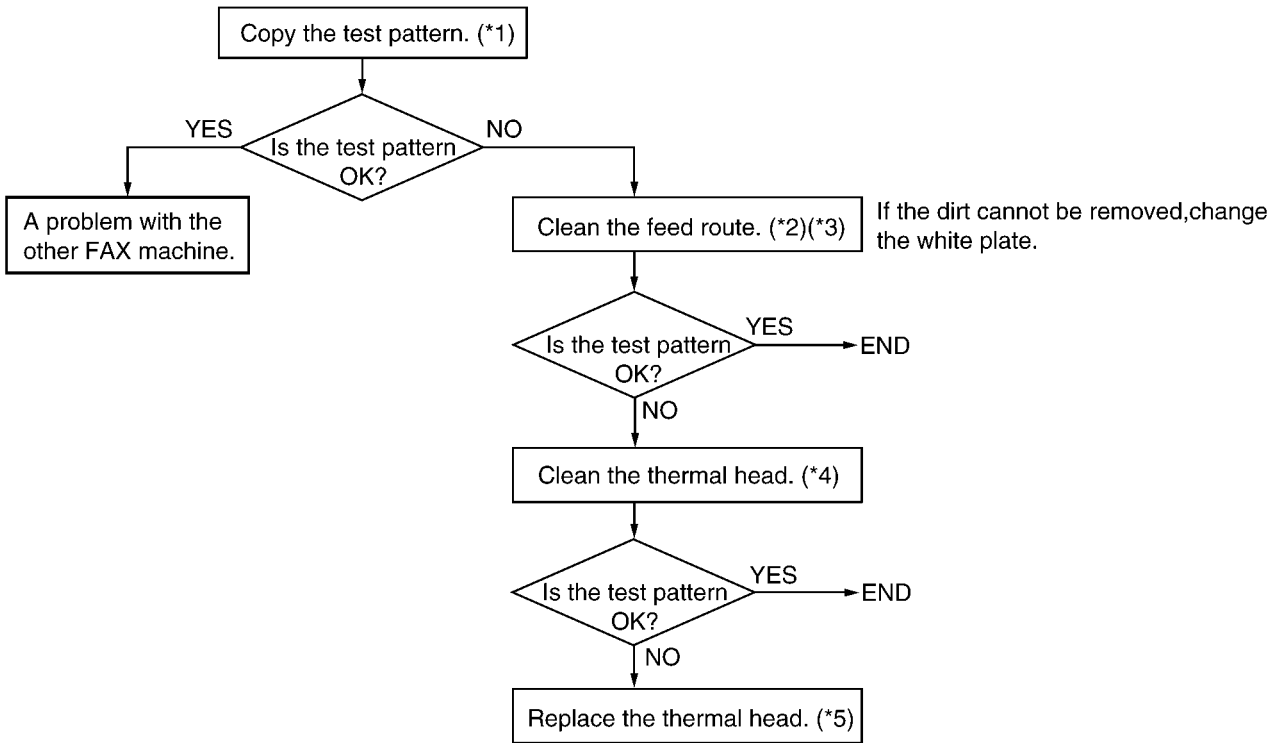
12.5.4.12. A Blank Page is Received



REFERENCE:

- (*1): **10Test Mode** (P.60)
- (*2): **12.5.6.1.Check Sheet for Signal Route** (P.124)
- (*3): **12.5.4.11.A Blank Page is Copied** (P.112)

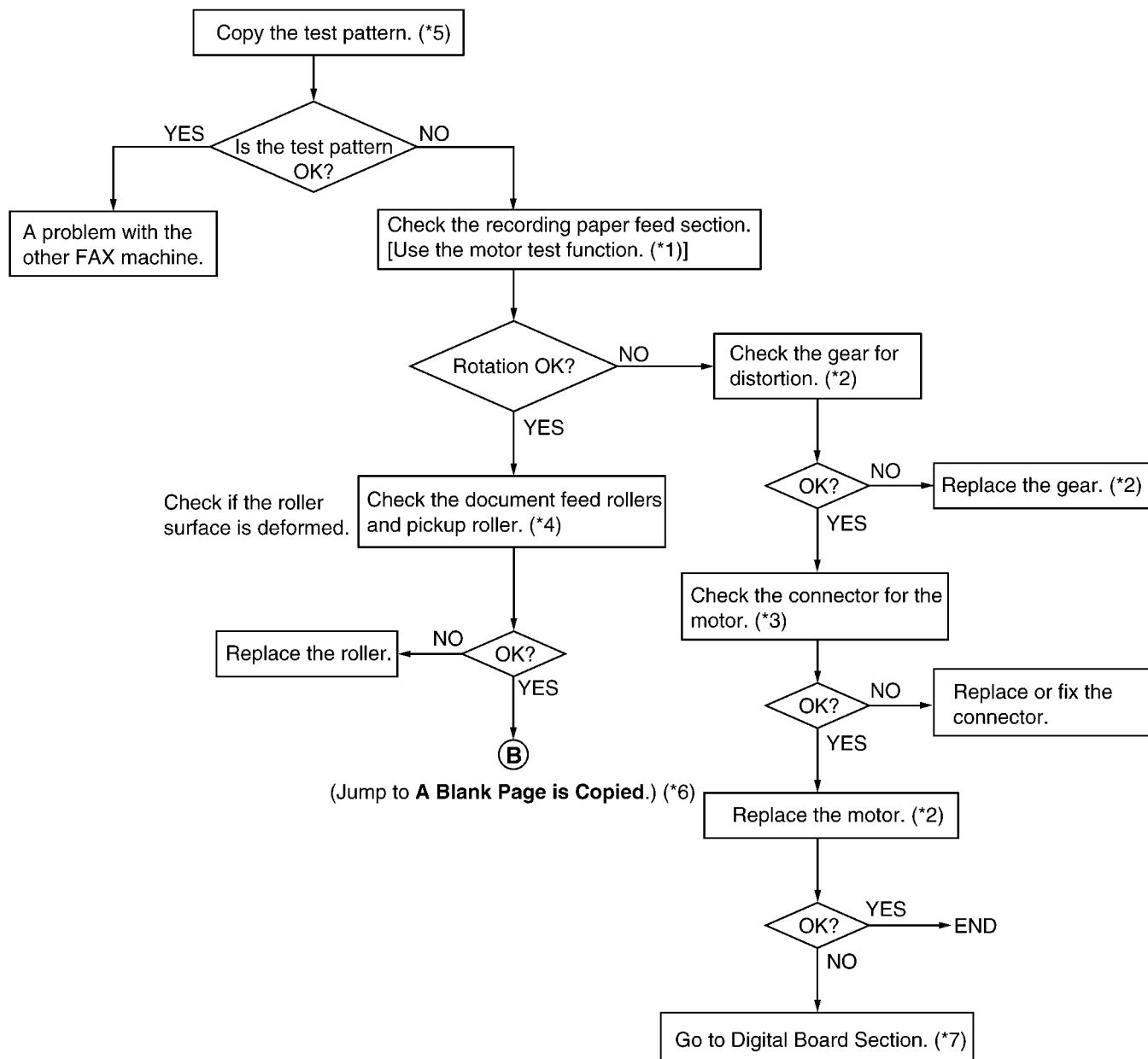
12.5.4.13. Black or White Vertical Line



REFERENCE:

- (*1): We recommend making a copy of the test chart in **16.3.3.Test Chart** (P.170) and using it.
- (*2): **15.1.Maintenance Items and Component Locations** (P.152)
- (*3): **15.4.1.Document feeder/recording paper feeder/scanner glass cleaning** (P.161)
- (*4): **15.4.2.Thermal Head Cleaning** (P.162)
- (*5): **14.2.6.HOW TO REMOVE THE THERMAL HEAD** (P.142)

12.5.4.14. Black or White Lateral Line on Print Out



REFERENCE:

(*1): 10Test Mode (P.60)

(*2): 14.2.14.HOW TO REMOVE THE GEARS OF MOTOR BLOCK (P.150)

(*3): 14.2.15.INSTALLATION POSITION OF THE LEAD WIRES (P.151)

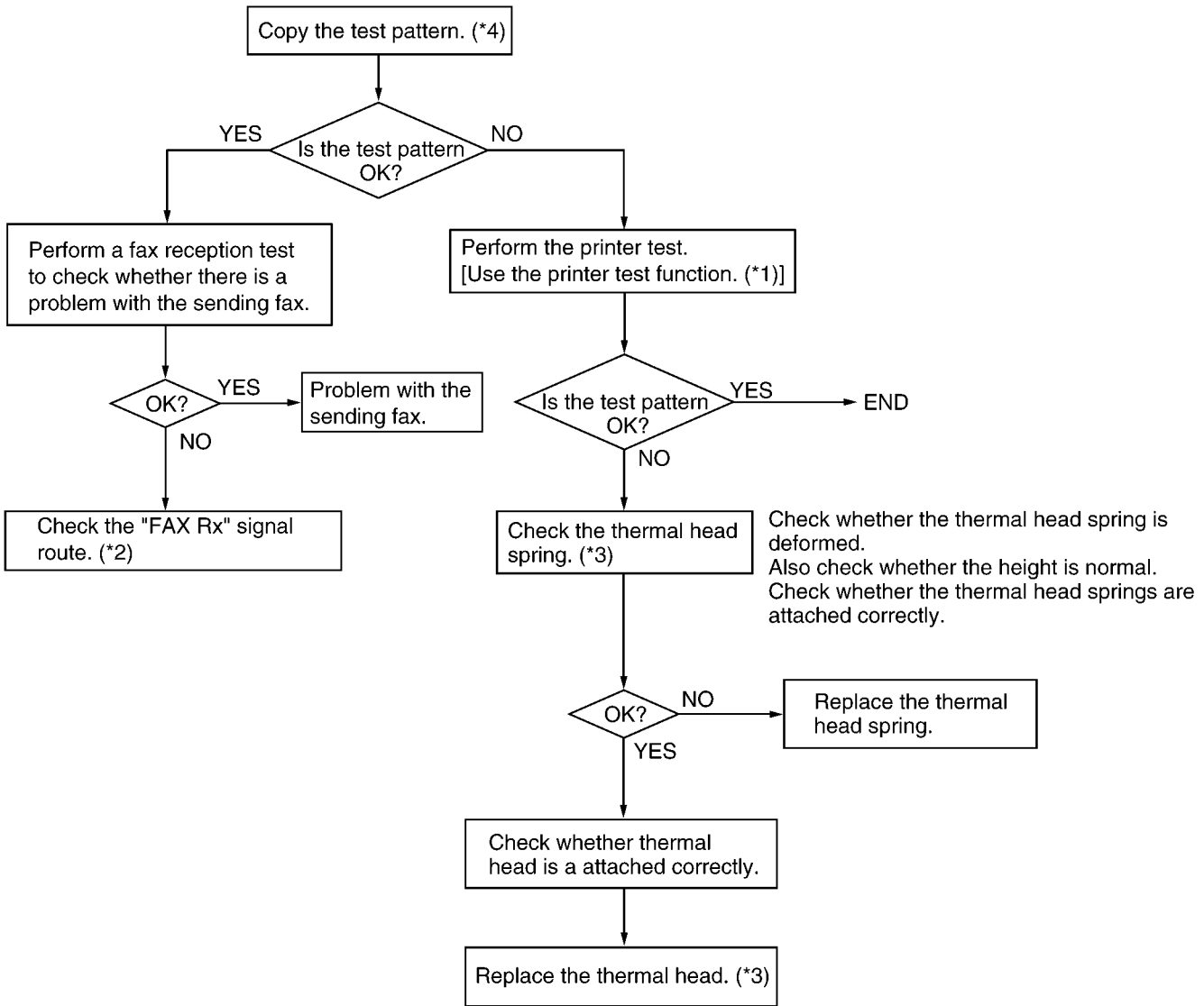
(*4): 14Disassembly and Assembly Instructions (P.135)

(*5): We recommend making a copy of the test chart in 16.3.3.Test Chart (P.170) and using it.

(*6): 12.5.4.11.A Blank Page is Copied (P.112)

(*7): 12.5.5.Digital Board Section (P.117)

12.5.4.15. An Abnormal Image is Printed



REFERENCE:

(*1): 10Test Mode (P.60)

(*2): 12.5.6.1.Check Sheet for Signal Route (P.124)

(*3): 14.2.6.HOW TO REMOVE THE THERMAL HEAD (P.142)

(*4): We recommend making a copy of the test chart in 16.3.3.Test Chart (P.170) and using it.

12.5.5. Digital Board Section

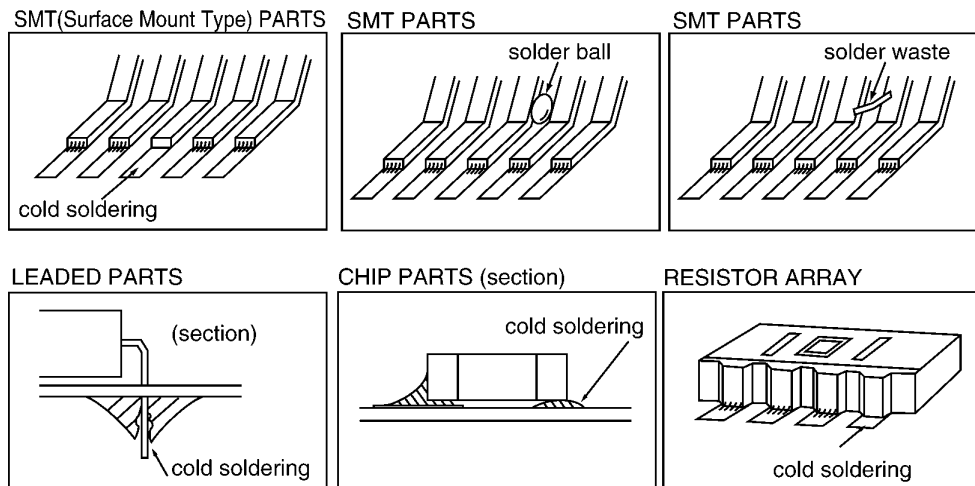
When the unit fails to boot up the system, take the troubleshooting procedures very carefully. It may have a serious problem.

The symptom: No response when the power is turned on. (No LCD display, and keys are not accepted.)

The first step is to check the power source. If there is no problem with the power supply unit, the problem may lie in the digital unit (main board).

As there are many potential causes in this case (ASIC, DRAM, etc.), it may be difficult to specify what you should check first. If a mistake is made in the order of checks, a normal part may be determined faulty, wasting both time and money.

Although the tendency is to regard the problem as a serious one (IC malfunction, etc.), usually most cases are caused by solder faults (poor contact due to a tunnel in the solder, signal short circuit due to solder waste).



Note:

1. Electrical continuity may have existed at the factory check, but a faulty contact occurred as a result of vibration, etc., during transport.
2. Solder waste remaining on the board may get caught under the IC during transport, causing a short circuit.

Before we begin mass production, several hundred trial units are produced at the plant, various tests are applied and any malfunctions are analyzed. (In past experiences, digital IC (especially DRAM and FLASH ROM) malfunctions are extremely rare after installation in the product.)

This may be repaired by replacing the IC, (DRAM etc.). However, the real cause may not have been an IC malfunction but a soldering fault instead.

Soldering faults difficult to detect with the naked eye are common, particularly for ASIC and RA (Resistor Array). But if you have an oscilloscope, you can easily determine the problem site or IC malfunction by checking the main signal lines.

Even if you don't have such a measuring instrument, by checking each main signal line and resoldering it, in many cases the problem will be resolved.

An explanation of the main signals (for booting up the unit) is presented below.

Don't replace ICs or stop repairing until checking the signal lines.

An IC malfunction rarely occurs. (By understanding the necessary signals for booting up the unit, the "Not Boot up" display is not a serious problem.)

What are the main signals for booting up the unit?

Please refer to **12.5.5.1.Digital Block Diagram** (P.118).

The ASIC (IC1) controls all the other digital ICs. When the power is turned on, the ASIC retrieves the operation code stored in the FLASH ROM (IC6), then follows the instructions for controlling each IC. All ICs have some inner registers that are assigned to a certain address.

It is the address bus by which the ASIC designates the location inside each IC. And the data bus reads or writes the data in order to transmit the instructions from the ASIC to the ICs.

These signal lines are all controlled by voltages of 3.3V (H) or 0V (L).

12.5.5.1. Digital Block Diagram

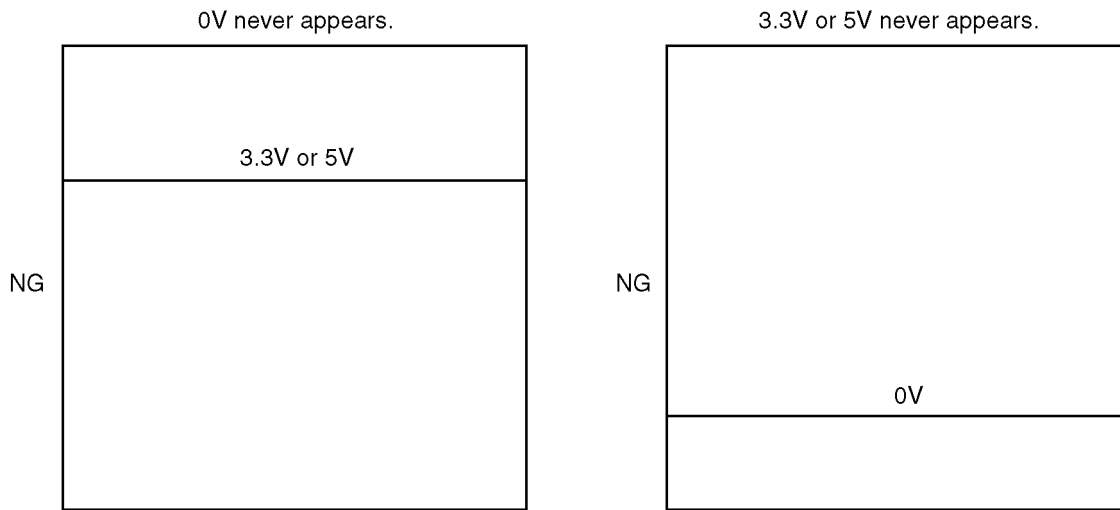
You also need to check the signal lines listed here [List 1] when the unit fails to boot up the system. Those signal lines should remain normal. Other signal lines are not directly related to that failure even if they have faults or troubles.

[List 1]

①	D0~D7	(Data Bus)
②	A0~A15	(Address Bus)
③	\overline{RD}	(Read Signal)
	ROMCS	(ROM Select Signal)
	WR	(Write Signal)
④	RBA0~RBA5	(Bank Address Signal)
⑤	\overline{RAS}	(DRAM Row Address Strobe Signal)
	\overline{CAS}	(DRAM Column Address Strobe Signal)
⑥	MDMCS	(Modem Select Signal)

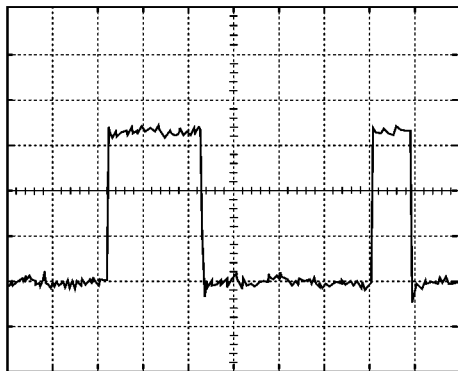
As long as these signals remain normal, once the power is turned on, each IC can repeatedly output 3.3V (H) and 0V (L). The following shows NG and normal wave patterns.

NG Wave pattern (Refer to NG EXAMPLE)

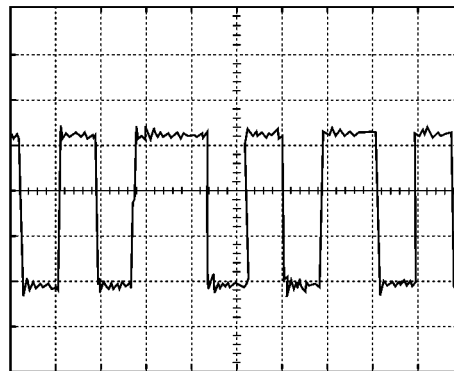
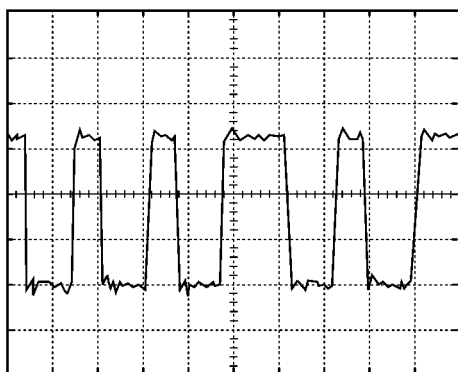
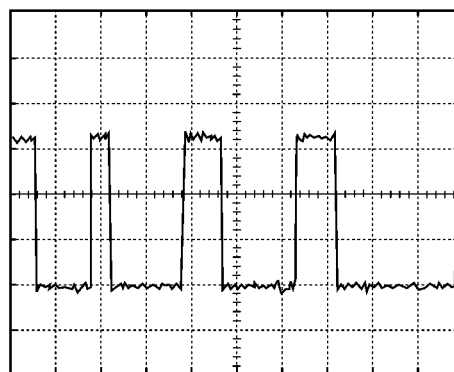
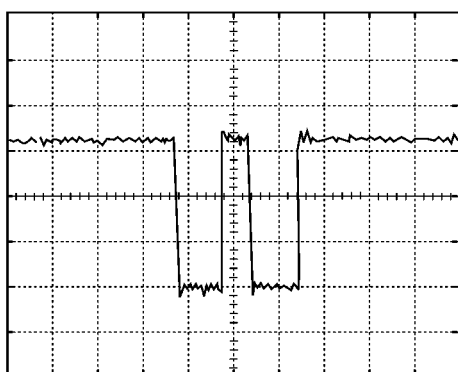


Normal Wave Patterns

① D0~D7 200ns/div, 1V/div



② A0~A5 200ns/div, 1V/div

③ \overline{RD} 100ns/div, 1V/div③ \overline{ROMCS} 400ns/div, 1V/div⑤ \overline{RAS} , \overline{CAS} 100ns/div, 1V/div**Remarks:**

When you use an oscilloscope to judge whether a signal to be tested is normal or NG, perform the signal check in exactly the same order as in [List 1]. (If the ASIC fails to access the FLASH ROM, the ASIC cannot access DRAM normally.)

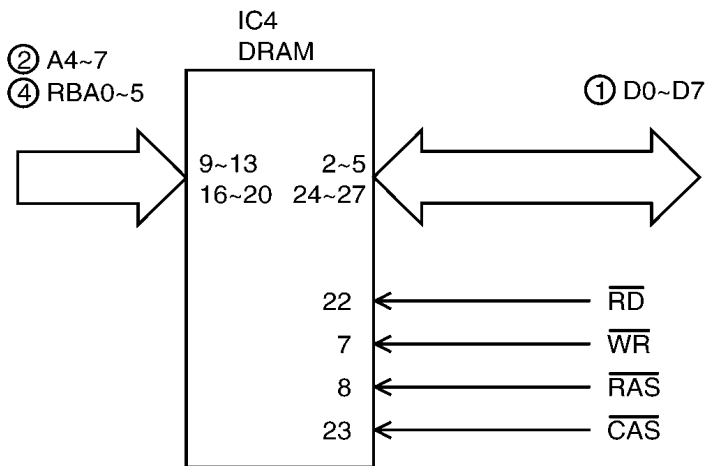
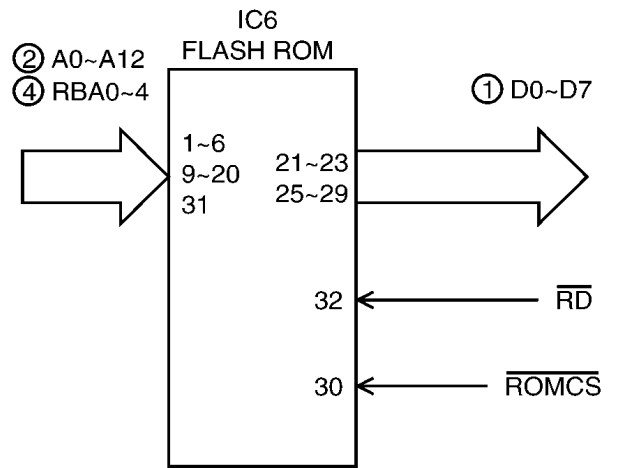
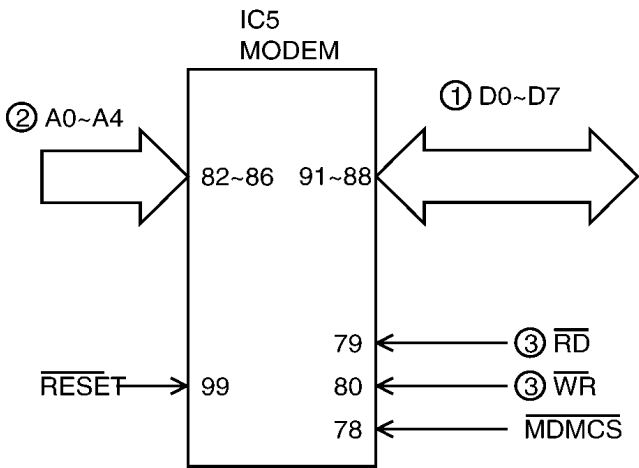
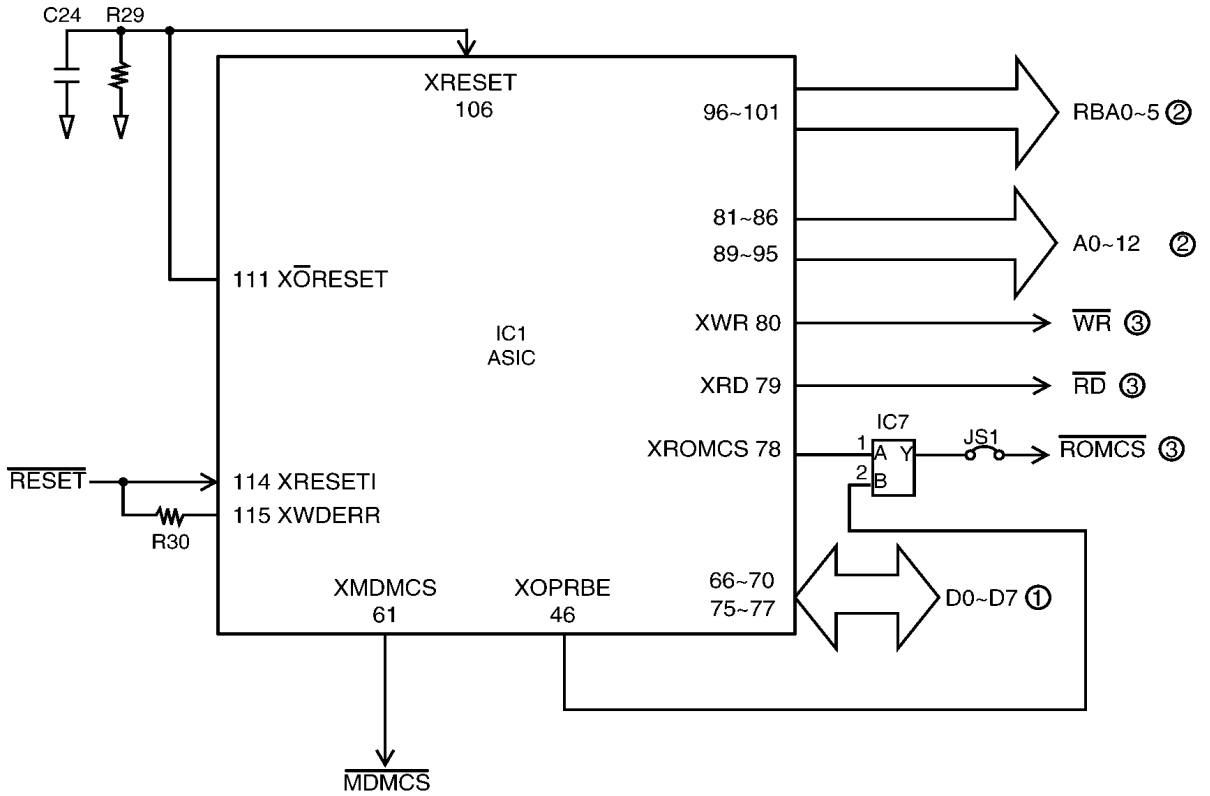
The digital circuit actually operates according to the timing combinations of these signals. If the timing of these signals is even slightly delayed, the circuit will not work. Nor will it if the IC is defective and the output voltage level is not normal although the timing of these signals is accurate enough to meet the specifications. (Make sure that your oscilloscope is calibrated before starting a test.)

Therefore, it is imperative to confirm whether each IC outputs the signal at the correct level. (See the **I/O Pin No. Diagram**.) The signal level should be constantly output at between 3.3V (H) and 0V (L) as described earlier.

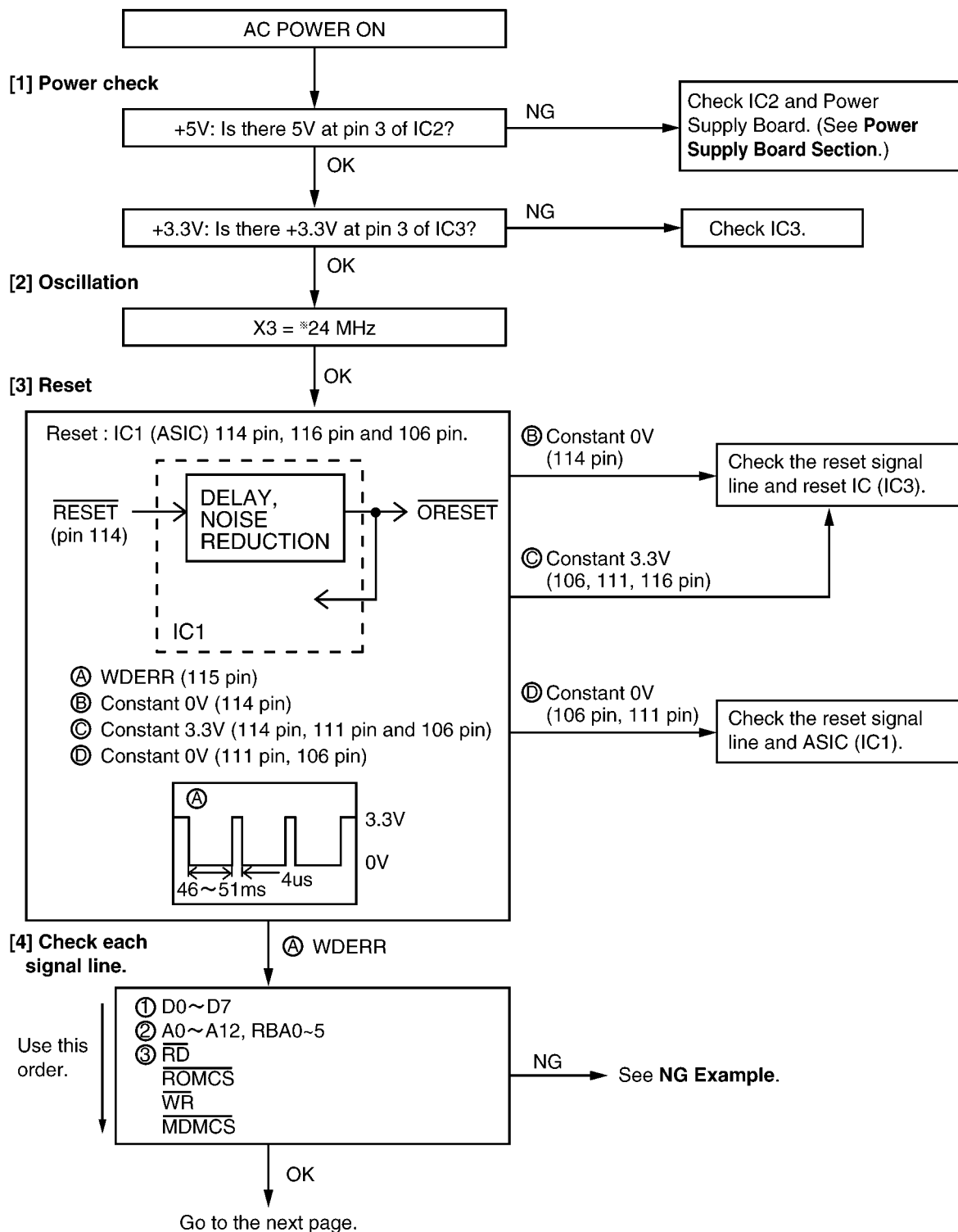
Note:

Simply check the output level and make sure if the IC repeatedly outputs the signal at between 3.3V (H) and 0V (L).

I/O and Pin No. Diagram



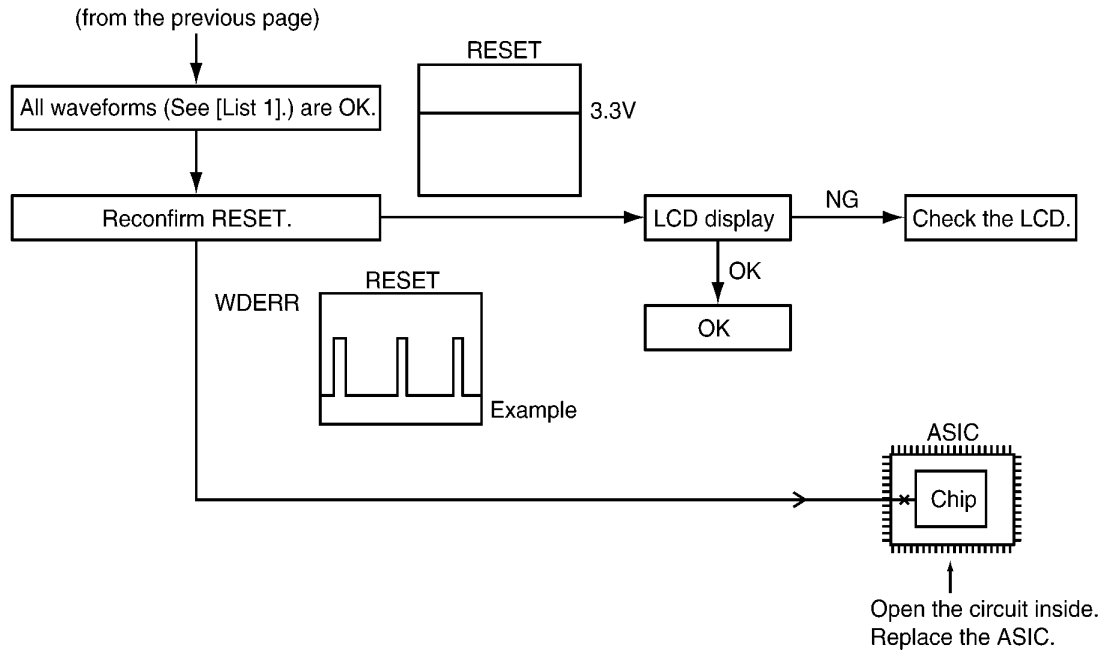
After the power is turned on, the ASIC initializes and checks each IC.
 The ROM, DRAM, and modem are checked.
 If initialization fails for the ICs, the system will not boot up.
 In this case, please find the cause as follows.



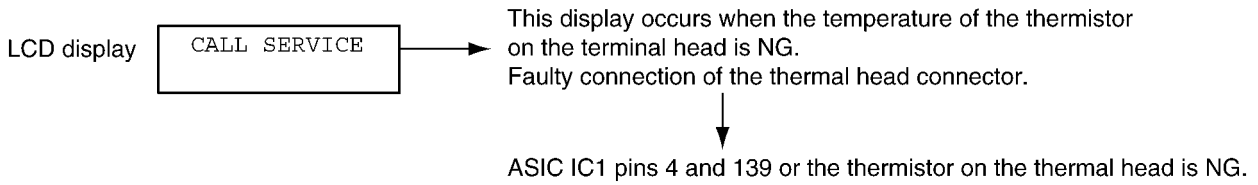
REFERENCE:

12.5.5.2.NG Example (P.123)

12.5.7.Power Supply Board Section (P.126)

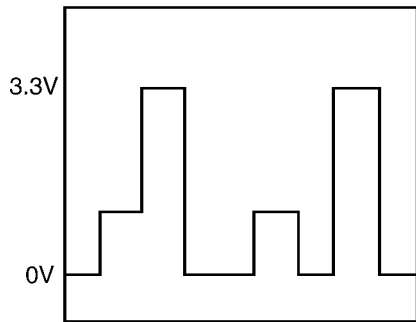


Other NG example while the power is ON and the LCD displays the following.

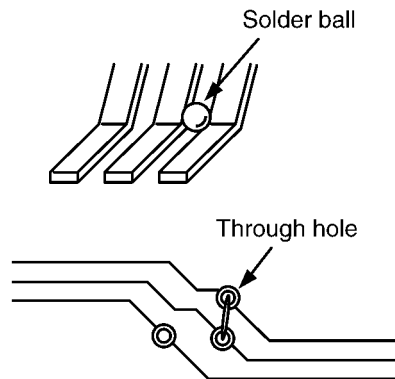


12.5.5.2. NG Example

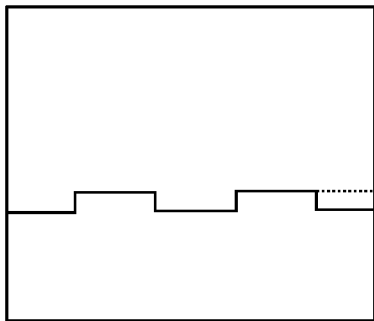
1.



Short circuit from the adjacent signal wires.
Check for a short circuit in the IC leads and the signal wire at the through hole.

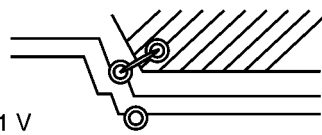


2.

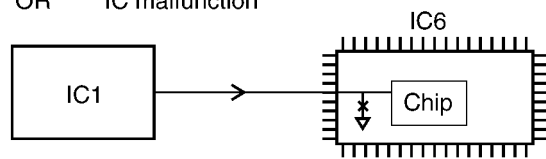


Short between the signal line and GND.

Approx. 0 or 1 V



OR IC malfunction



12.5.6. Analog Board Section

This chapter provides the testing procedures required for the analog parts. A signal route to be tested is determined depending upon purposes. For example, the handset TX route begins at the handset microphone and the signal is output to the telephone line. The signal mainly flowing on this route is analog. You can trace the signal with an oscilloscope. The signal flow on each route is shown in the Check Sheet here. If you find a specific problem in the unit, for example if you cannot communicate with the Handset, trace that signal route locally with the following Check Sheet and locate the faulty point.

12.5.6.1. Check Sheet for Signal Route

(SYMPTOM) ITEMS TO CHECK	IN → signal → ROUTE → OUT
MONITOR	TEL LINE → T101 → C108 → R109 → IC101(2-1) → CN101(5) → {CN7(13) → R55 → C54 → IC1(32-31) → C51 → R49 → IC10(2-1) → C83 → R74 → IC13(4-5,8) → CN6(1,2)} → Speaker
HANDSET Tx	HSMIC → L110 → C129 → R138 → IC101(6) → IC101(7) → R118 → CN101(9) → {CN7(9) → L107 → C130 → R139 → IC101(5)} → R88 → C104 → R82 → C78 → R69 → IC10(6-7) → CN7(12)} → CN101(6) → C113 → R114 → T101 → TEL LINE
HANDSET Rx	TEL LINE → T101 → C108 → R109 → IC101(2-1) → CN101(5) → {CN7(13) → R55 → C54 → IC1(32-31) → C51 → R49 → IC10(2-1) → R60 → IC11(10-11) → CN7(10)} → CN101(8) → (C116) → R128 → Q105(B-E) → C128 → R144 → L108 → HANDSET Speaker C114 → R119 → C118
DTMF for Handset Speaker	{ IC5(58) → C57 → R51 → IC10(2-1) → R60 → IC11(10-11) → CN7(10)} → CN101(8) → (C116) → Q105(B-E) → C128 → R144 → L108 → HANDSET Speaker C114 → R119 → C118
DTMF for Speaker	{ IC5(58) → C57 → R51 → IC10(2-1) → C83 → R74 → IC13(4-5,8) → CN6(1,2)} → Speaker
FAX Tx/ DTMF for TEL LINE	{IC5(56) → IC11(8-9) → C77 → R65 → IC10(6-7) → CN7(12)} → CN101(6) → C113 → R114 → T101 → TEL LINE
FAX Rx/CNG/DTMF Detection (OFF-HOOK)	TEL LINE → T101 → C108 → R109 → IC101(2-1) → CN101(5) → {CN7(13) → R92 → RA10 → C102 → IC5(47)}
Ringing/BEEP/ Alarm/Key Tones	{IC1(29) → C52 → R50 → IC10(2-1) → C83 → R74 → IC13(4-5,8) → CN6(1,2)} → Speaker
Caller ID/FAX Activate (ON-HOOK)	TEL LINE → C136 → R122 → T101 → C108 → R109 → IC101(2-1) → CN101(5) → {CN7(13) → R92 → R93 → RA10 → C101 → IC5(50)}

Note:

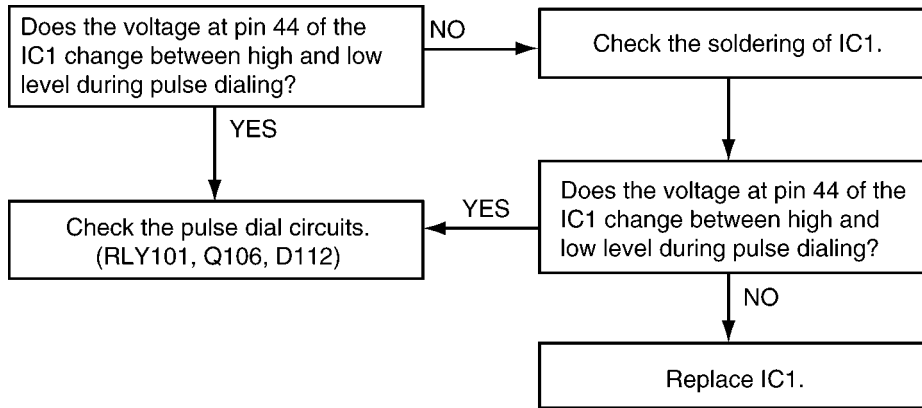
{ }: Inside the Digital Board

12.5.6.2. Defective ITS (Integrated Telephone System) Section

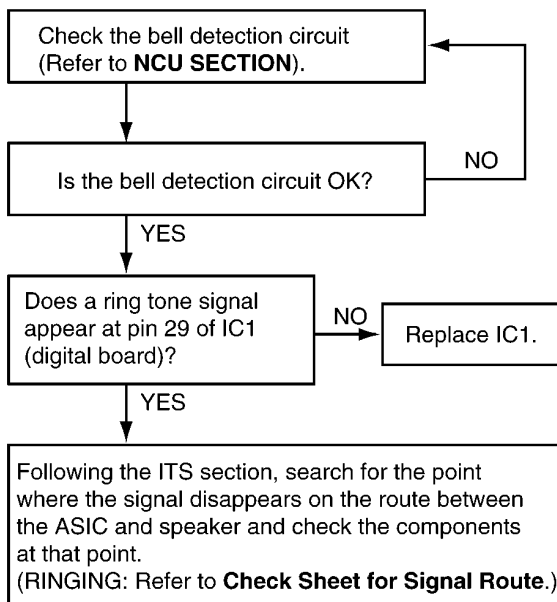
1. No handset transmission / reception and no monitor reception

Perform a signal test in the **ITS or the NCU section** and locate a defective point (where the signal disappears) on each route between the handset microphone and telephone line (sending), or between the telephone line and the handset speaker (receiving), or between the microphone and the telephone line (sending), or between the telephone line and the speaker (receiving). Check the components at that point. **12.5.6.1.Check Sheet for Signal Route** (P.124) is useful for this investigation.

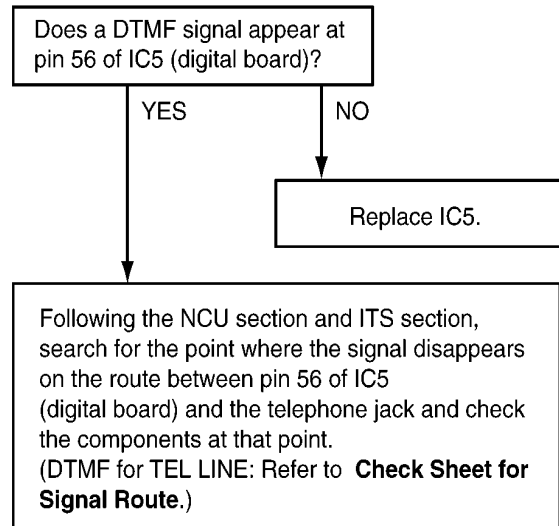
2. No pulse dialing



3. No ring tone (or No bell)



4. No tone dialing



REFERENCE:
12.5.6.1.Check Sheet for Signal Route (P.124)

REFERENCE:
12.5.6.1.Check Sheet for Signal Route (P.124)
6.7.NCU Section (P.42)

12.5.7. Power Supply Board Section

12.5.7.1. Key Components for Troubleshooting

Check the following parts first: F101, D101-D104, C106, Q101 and IC101.

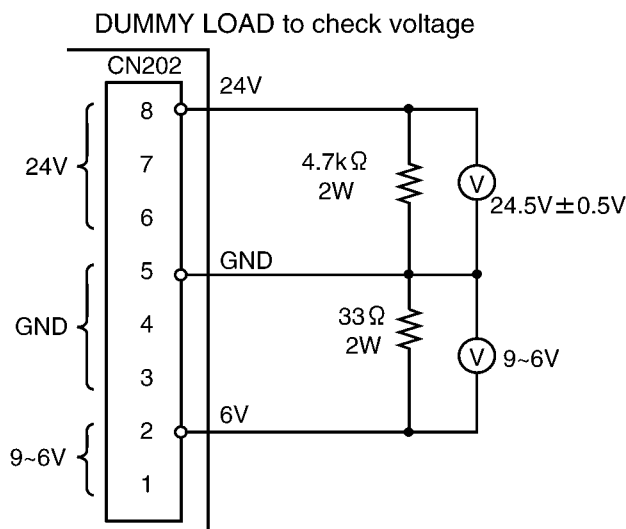
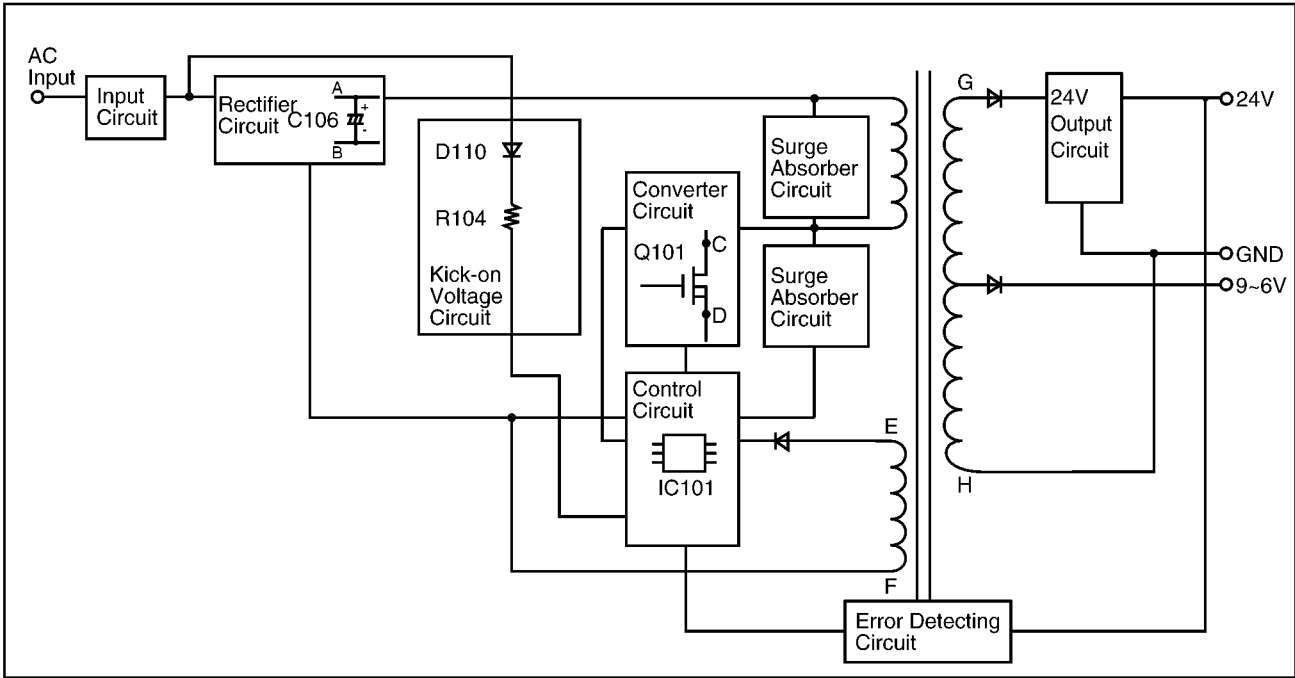
This comes from our experience with experimental tests. For example: power supply and lightning surge voltage test, withstanding voltage test, intentional short circuit test, etc.

Caution:

If you find a melted fuse in the unit, do not turn on the power until you locate and repair the faulty parts (except for the fuse); otherwise the fuse will melt again and you cannot pinpoint the faulty point.

In most cases, the symptom is that nothing is output. It is more likely that the fault is in the primary side rather than the secondary side. Check the primary side first.

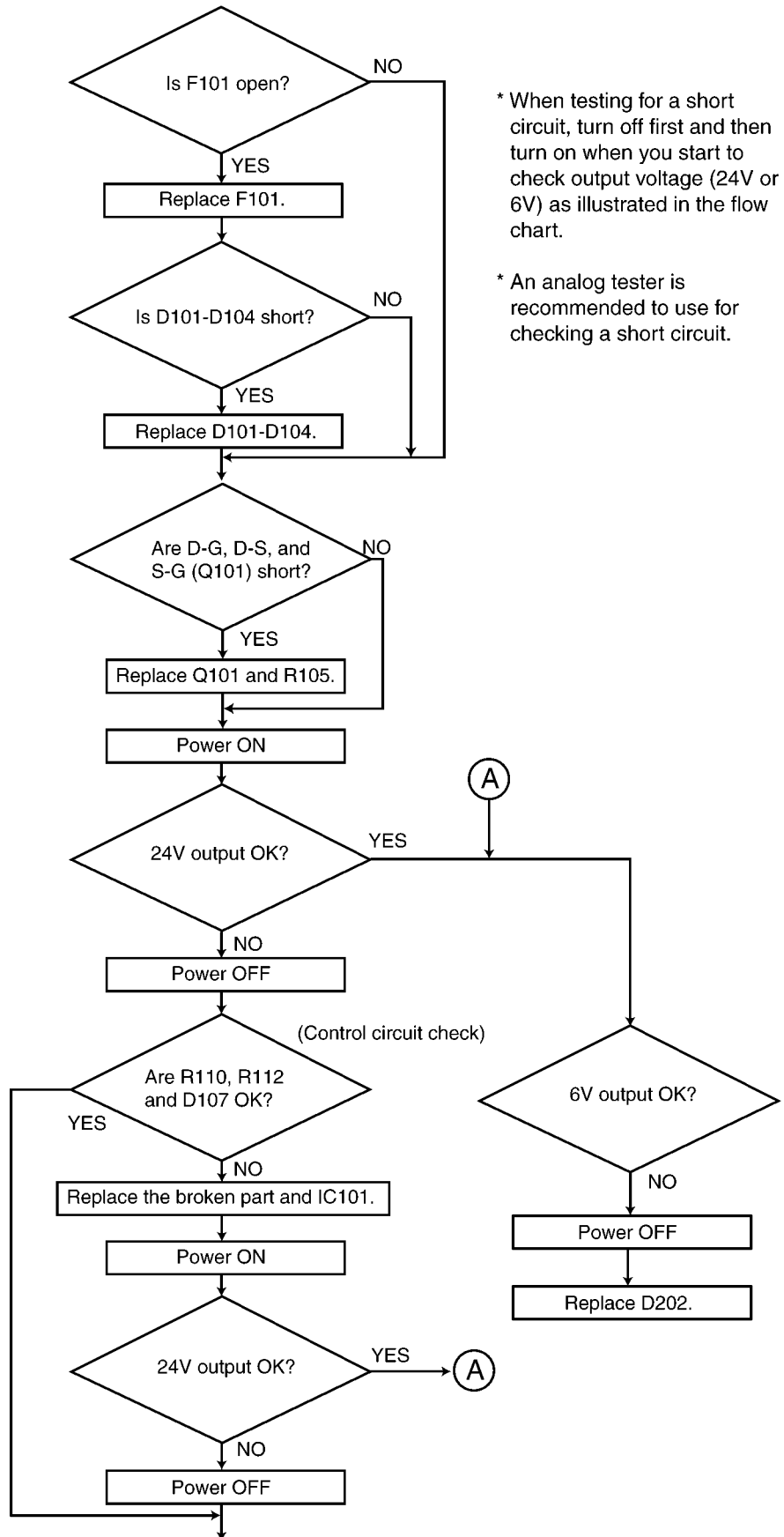
POWER SUPPLY BLOCK DIAGRAM



(When you check voltage in a power supply unit alone, use this dummy load. If the dummy load is not available, connect the main P.C.B. to the digital P.C.B.)

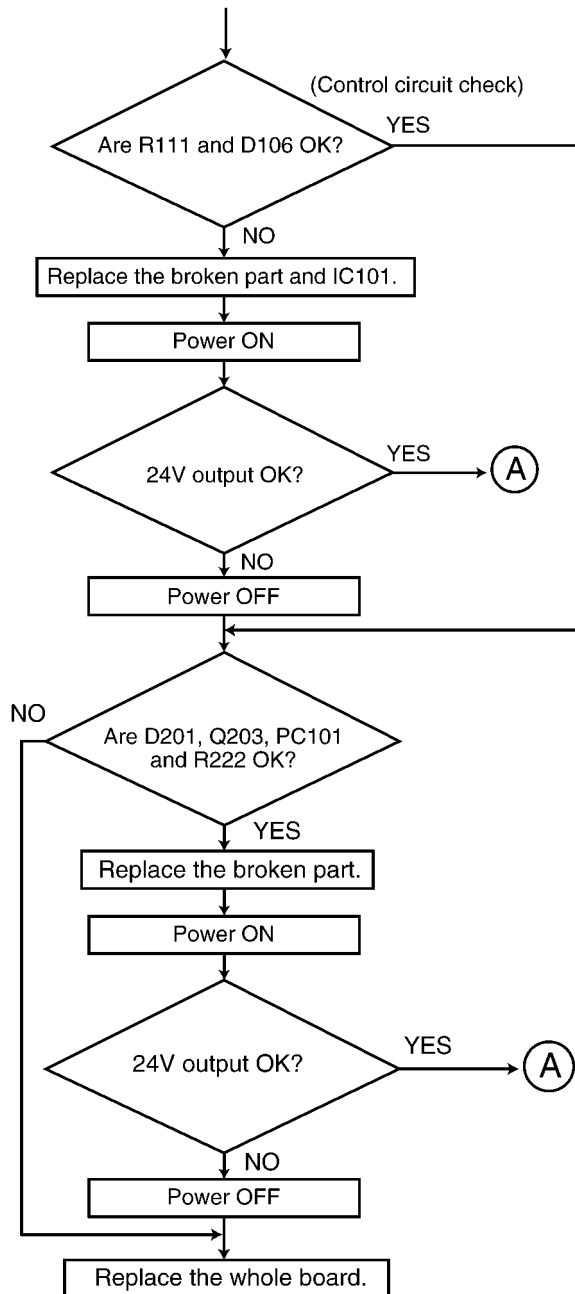
(V) : Volt Meter

12.5.7.2. Troubleshooting Flow Chart



* When testing for a short circuit, turn off first and then turn on when you start to check output voltage (24V or 6V) as illustrated in the flow chart.

* An analog tester is recommended to use for checking a short circuit.



12.5.7.3. Broken Parts Repair Details

(D101, D102, D103, D104)

Check for a short-circuit in terminal 4. If D101, D102, D103 and D104 are short-circuits, F101 will melt (open). In this case, replace all of the parts (D101, D102, D103, D104, F101).

(Q101)

The worst case of Q101 is a short-circuit between the Drain and Gate because damage expands to the peripheral circuit of Q101. This is due to a very high voltage through the Gate circuit which is composed of R110, R112, D107 and IC101. You should change all of the parts listed as follows.

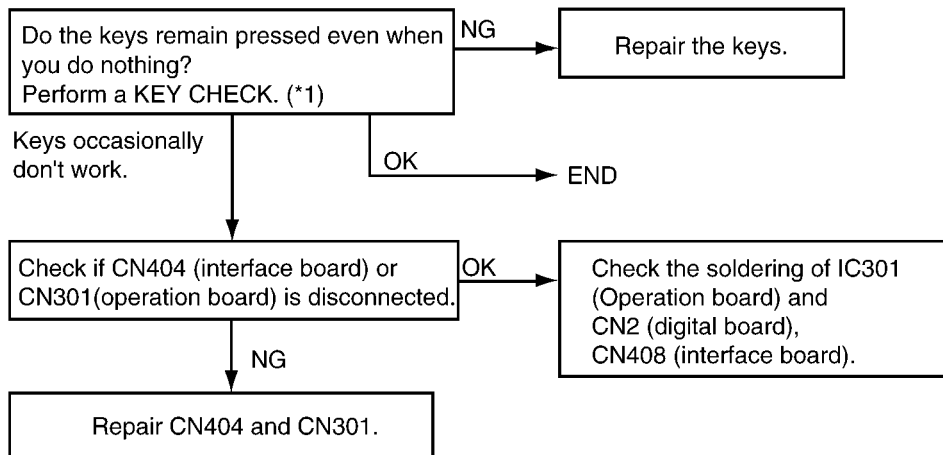
F101, Q101, R110, R112, D107, IC101

(D201)

If D201 is broken, the oscillation circuit in the power supply cannot operate. Check it with an electric tester.

12.5.8. Operation Panel Section

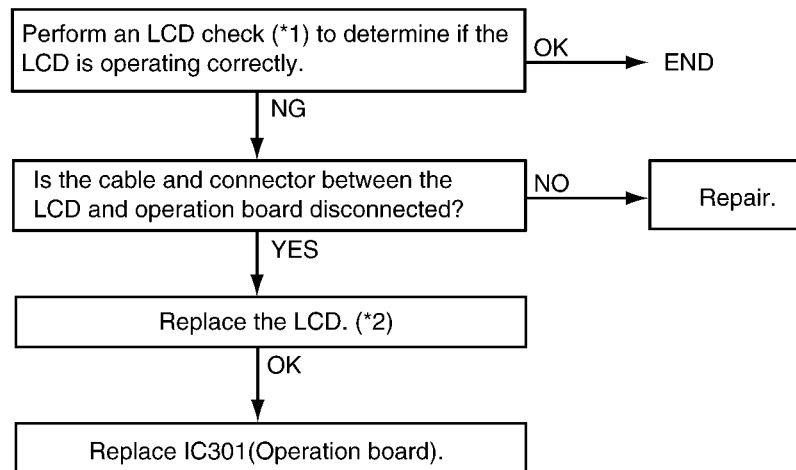
12.5.8.1. No Key Operation



REFERENCE:

(*1): **10Test Mode** (P.60)

12.5.8.2. No LCD Indication



REFERENCE:

(*1): **10Test Mode** (P.60)

(*2): **14.2.2.HOW TO REMOVE THE OPERATION PANEL BLOCK** (P.138)

12.5.9. Sensor Section

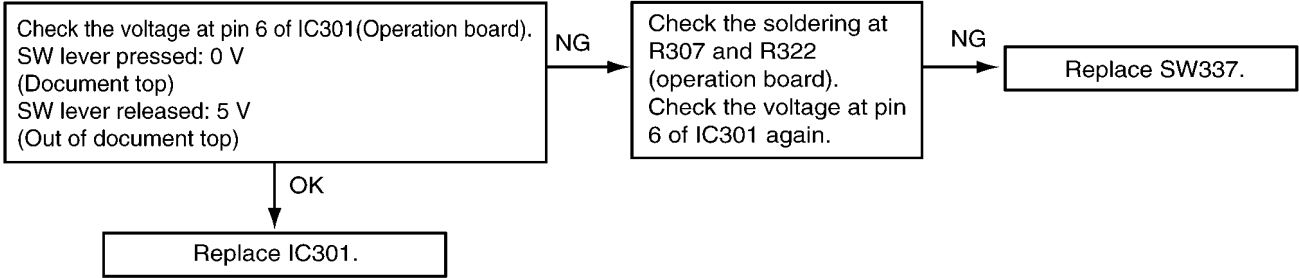
Refer to **6.5.Sensors and Switches** (P.31) for the circuit descriptions.

The Test Function makes the sensor circuit check easier. (Refer to **10Test Mode** (P.60).)

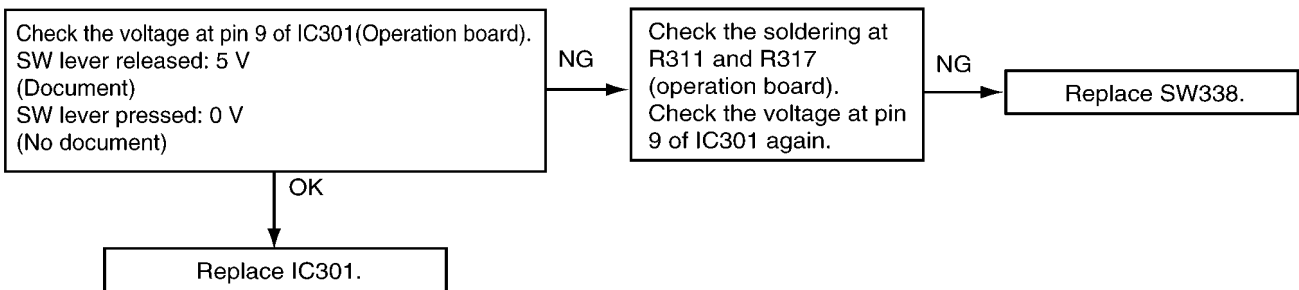
For example, as for "COVER OPEN SENSOR", "CO" is turned ON/OFF on the display when you open or close the front cover. Also, document sensor, read position sensor, recording paper sensor and jam sensor are turned ON/OFF by the copy operation. Therefore, each sensor can be checked for proper mechanical operation.

As for the electric check, check whether each voltage is right or not with following flowchart turning each sensor lever ON/OFF manually.

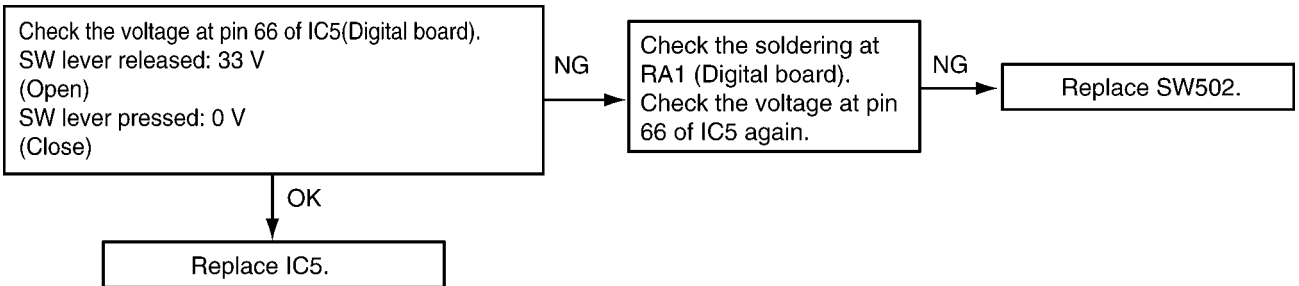
12.5.9.1. Check the Document Top Sensor (SW337)....."REMOVE DOCUMENT"



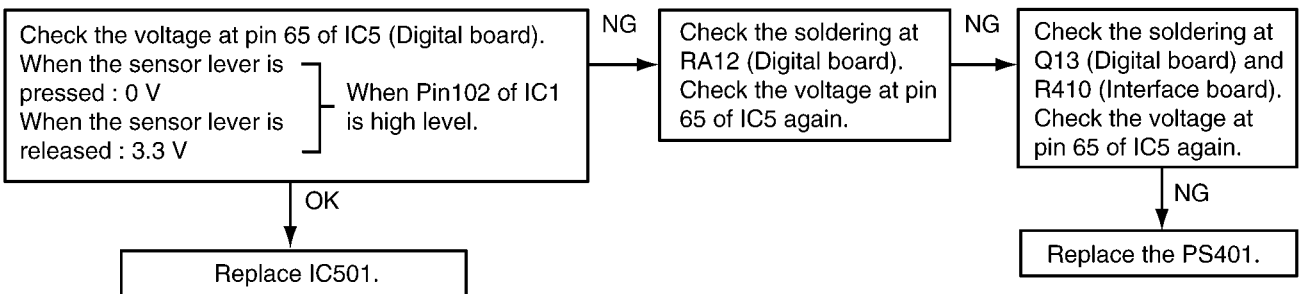
12.5.9.2. Check the Document Set Sensor (SW338)....."CHECK DOCUMENT"



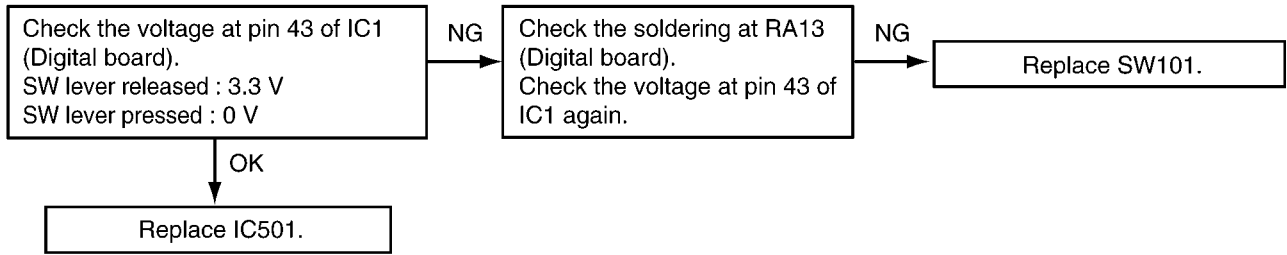
12.5.9.3. Check the Cover Open Sensor (SW502)....."COVER OPEN"



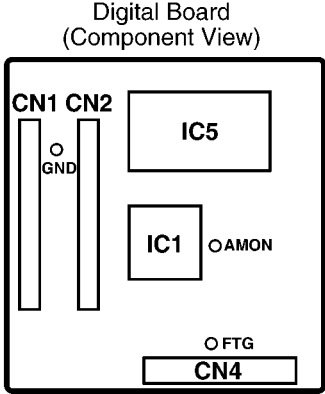
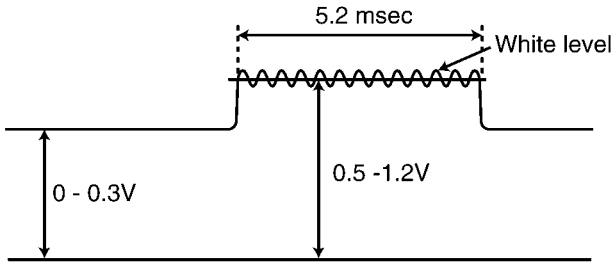
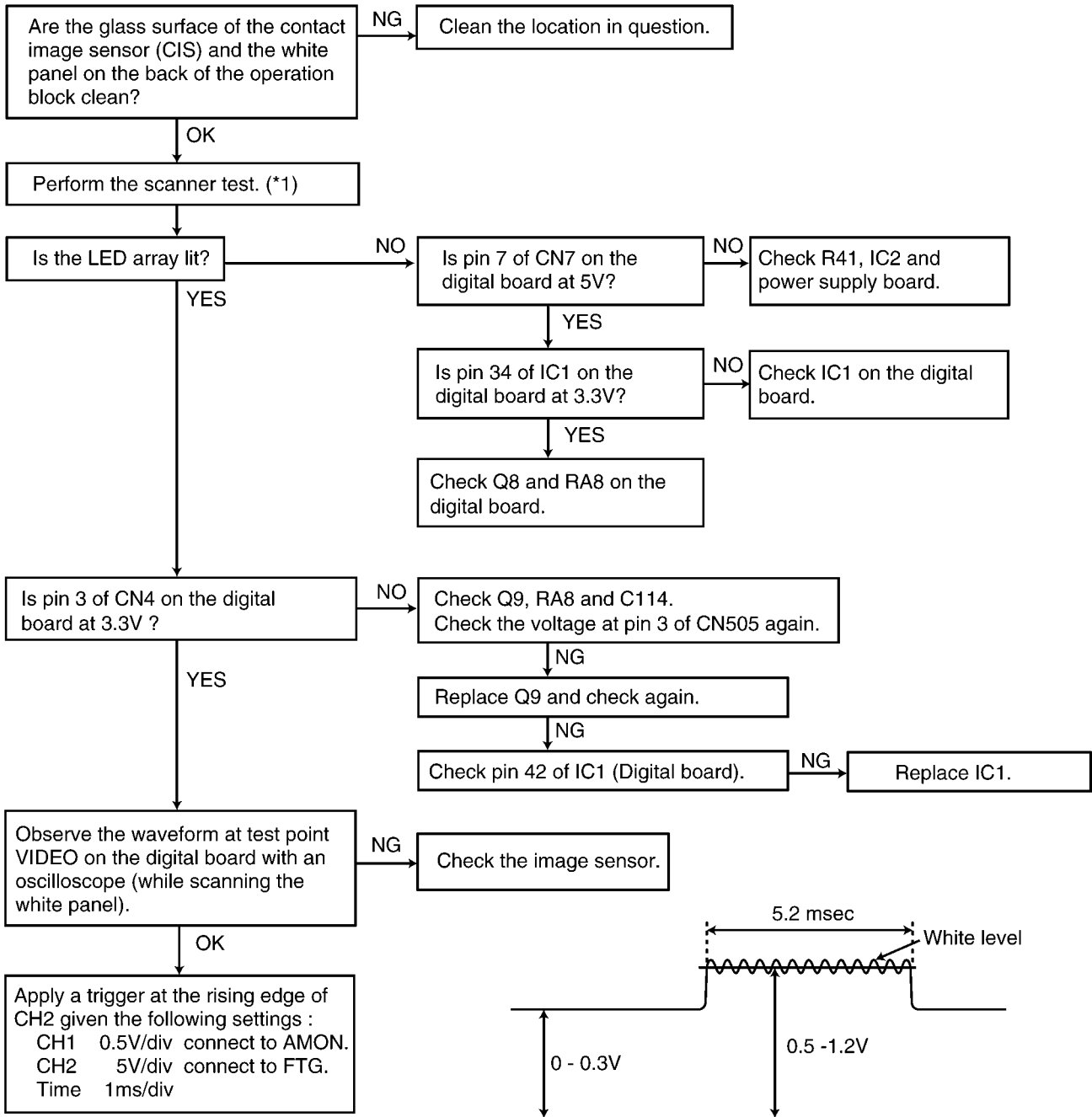
12.5.9.4. Check the Paper Top Sensor (PS401)....."PAPER JAMMED"



12.5.9.5. Check the HOOK Switch (SW101)

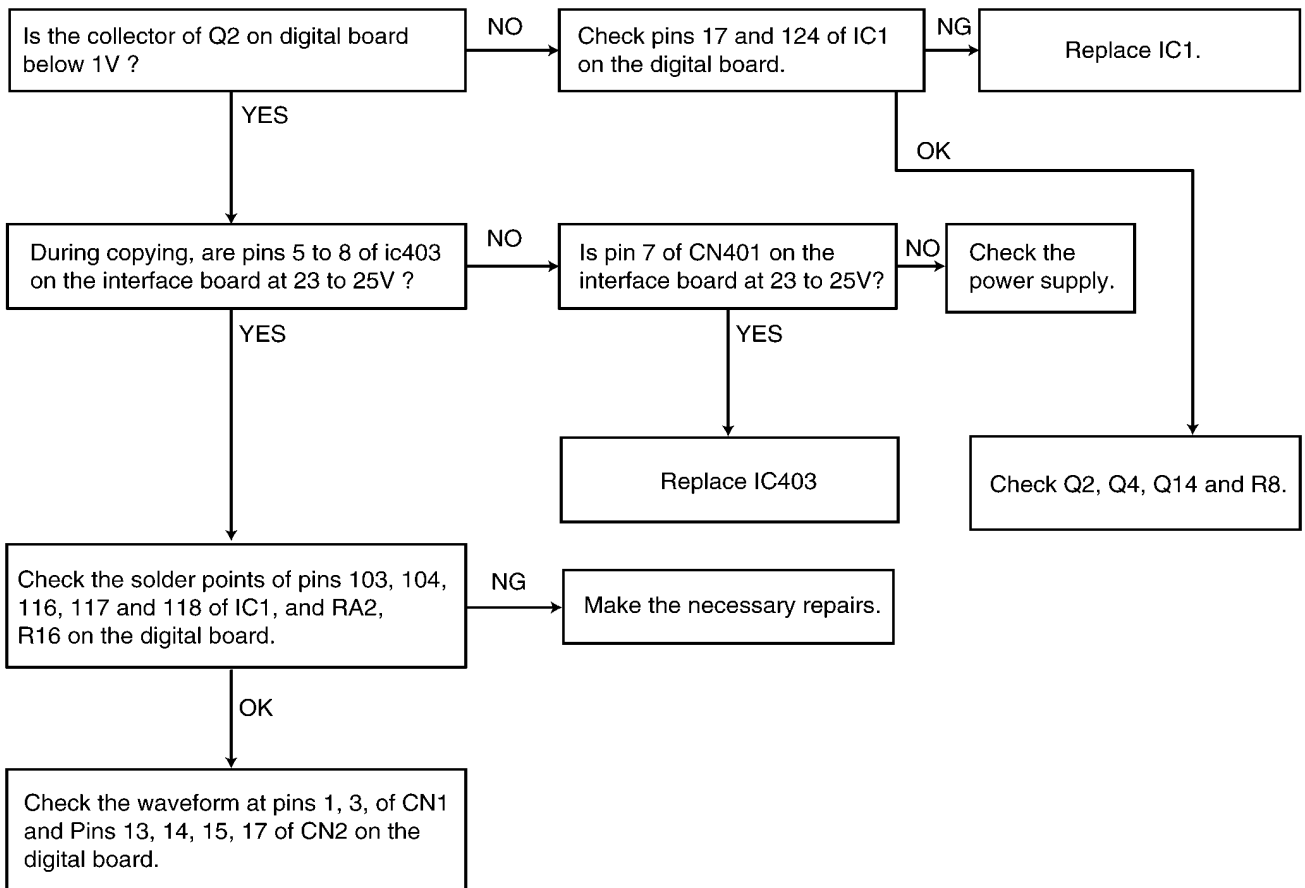


12.5.10. CIS (Contact Image Sensor) Section



REFERENCE:
 (*1): 10Test Mode (P.60)
 Refer to 6.4.4.Scanning Block (P.26).

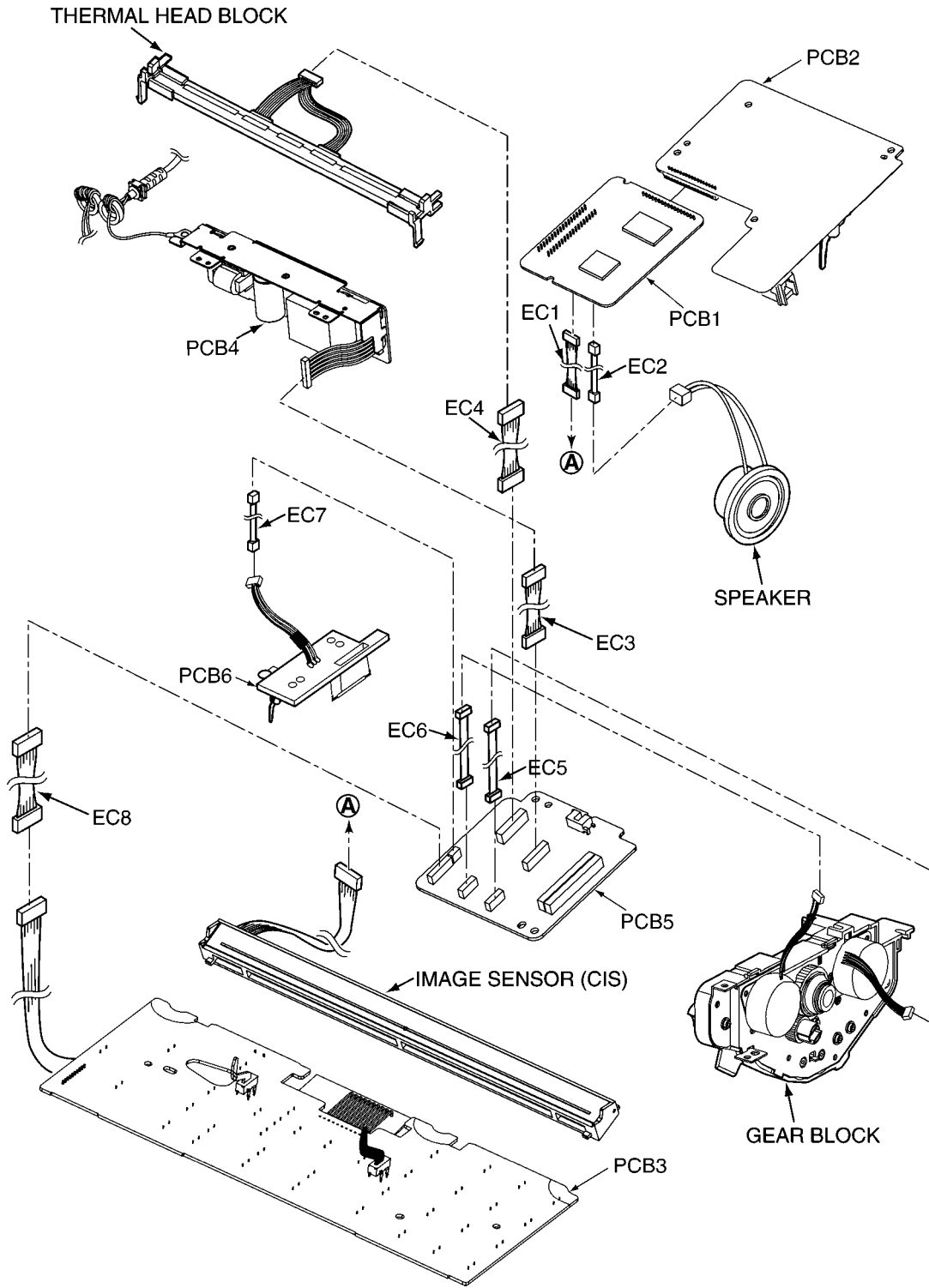
12.5.11. Thermal Head Section



Note:

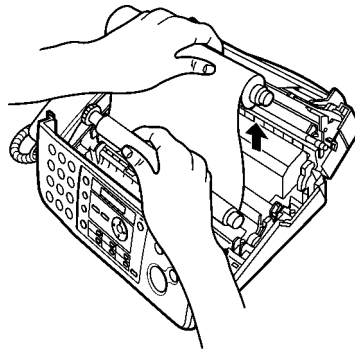
Refer to **6.4.3. Thermal Head** (P.24).

13 Service Fixture & Tools



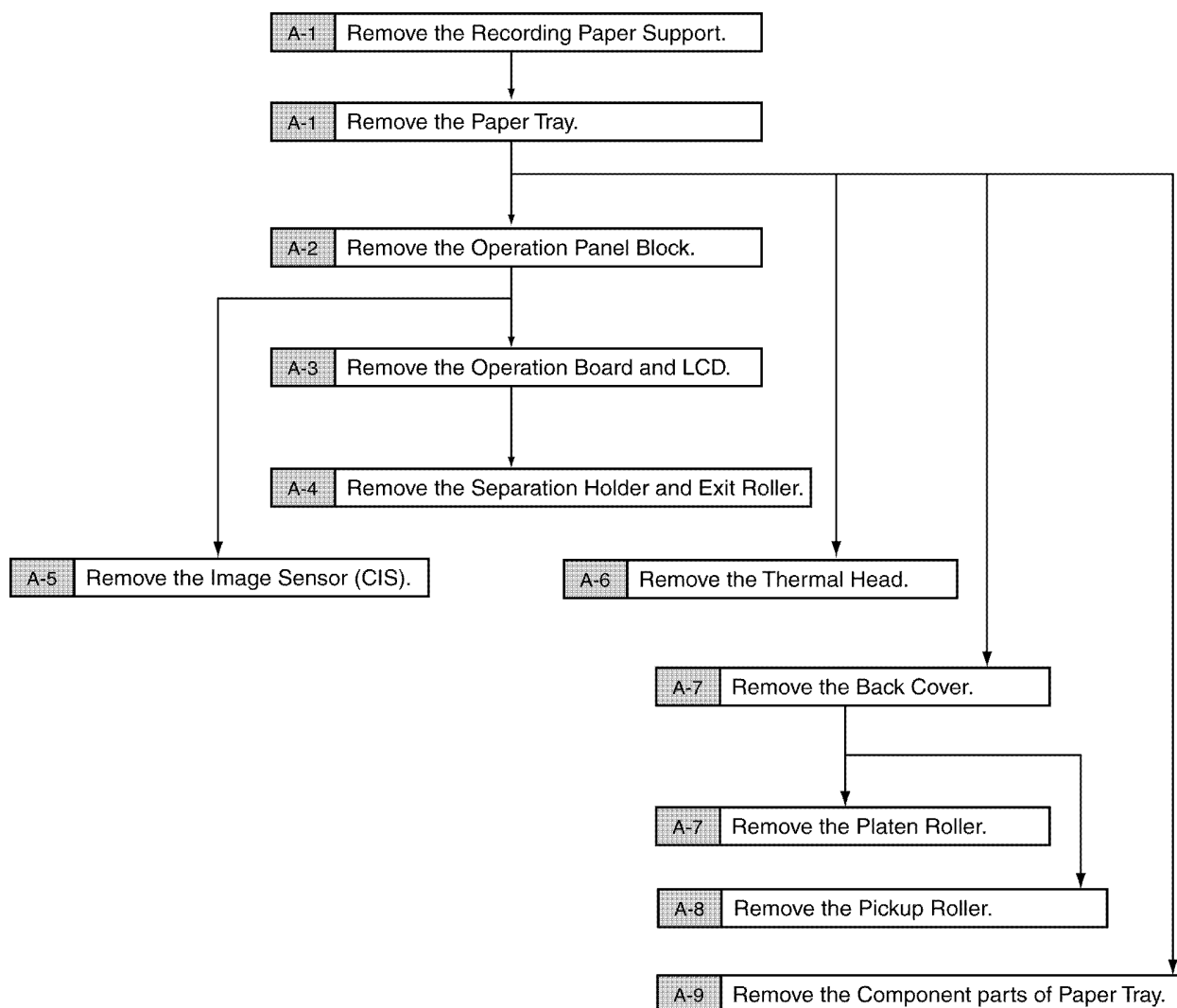
14 Disassembly and Assembly Instructions

Before disassembling, remove the Ink film.



14.1. DISASSEMBLY FLOW CHART

14.1.1. UPPER CABINET SECTION



CROSS REFERENCE:

A-1 : 14.2.1.HOW TO REMOVE THE PAPER TRAY AND RECORDING PAPER SUPPORT (P.137)

A-2 : 14.2.2.HOW TO REMOVE THE OPERATION PANEL BLOCK (P.138)

A-3 : 14.2.3.HOW TO REMOVE THE OPERATION BOARD AND LCD (P.139)

A-4 : 14.2.4.HOW TO REMOVE THE SEPARATION HOLDER AND EXIT ROLLER (P.140)

A-5 : 14.2.5.HOW TO REMOVE THE IMAGE SENSOR (CIS) (P.141)

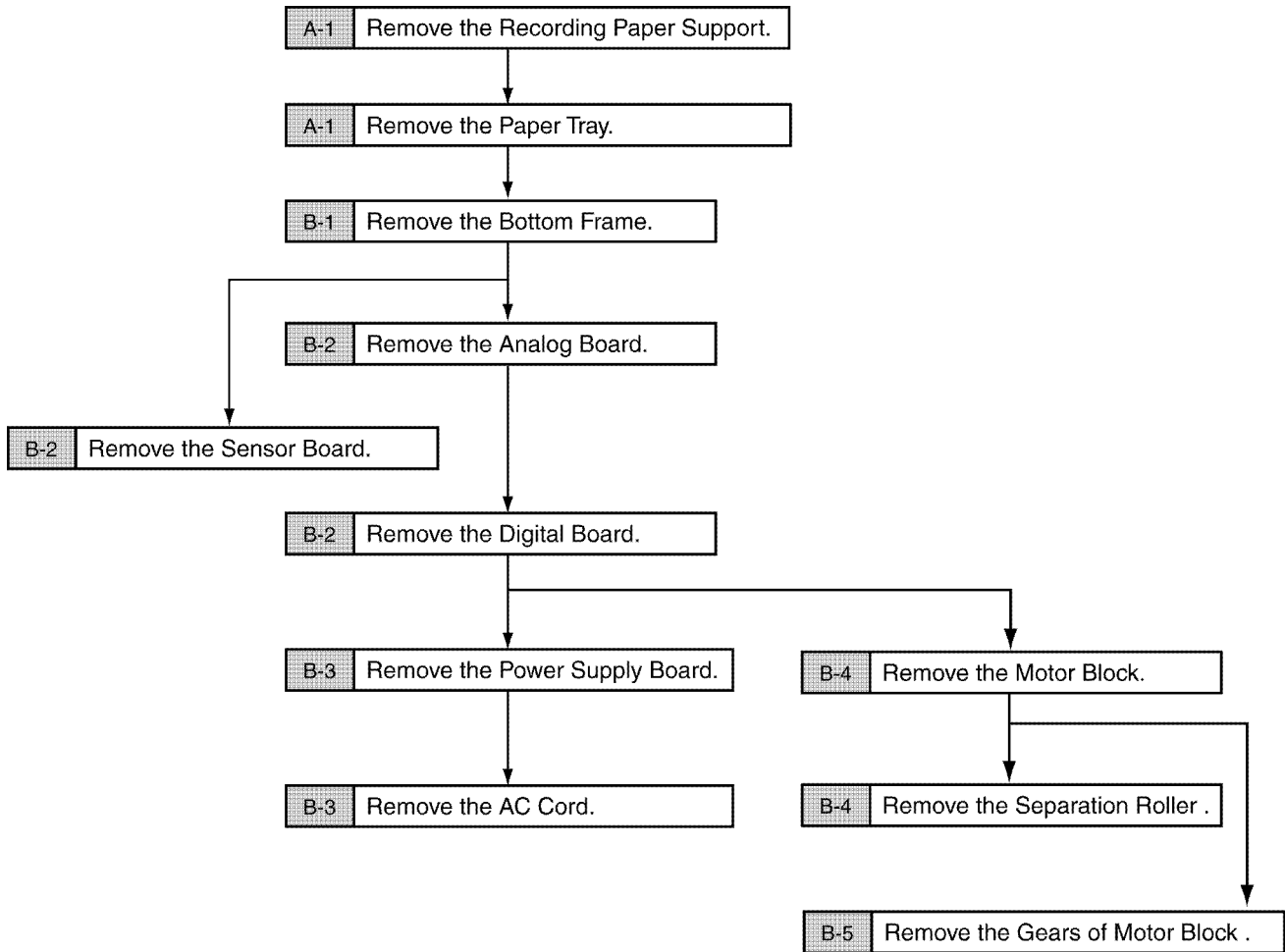
A-6 : 14.2.6.HOW TO REMOVE THE THERMAL HEAD (P.142)

A-7 : 14.2.7.HOW TO REMOVE THE PLATEN ROLLER AND BACK COVER (P.143)

A-8 : 14.2.8.HOW TO REMOVE THE PICKUP ROLLER (P.144)

A-9 : 14.2.9.HOW TO REMOVE THE CASSETTE LEVER (P.145)

14.1.2. LOWER CABINET SECTION



CROSS REFERENCE:

A-1 : 14.2.1.HOW TO REMOVE THE PAPER TRAY AND RECORDING PAPER SUPPORT (P.137)

B-1 : 14.2.10.HOW TO REMOVE THE BOTTOM FRAME (P.146)

B-2 : 14.2.11.HOW TO REMOVE THE DIGITAL, ANALOG, SENSOR BOARDS(P.147)

B-3 : 14.2.12.HOW TO REMOVE THE POWER SUPPLY BOARD AND AC CORD (P.148)

B-4 : 14.2.13.HOW TO REMOVE THE MOTOR BLOCK AND SEPARATION ROLLER (P.149)

B-5 : 14.2.14.HOW TO REMOVE THE GEARS OF MOTOR BLOCK (P.150)

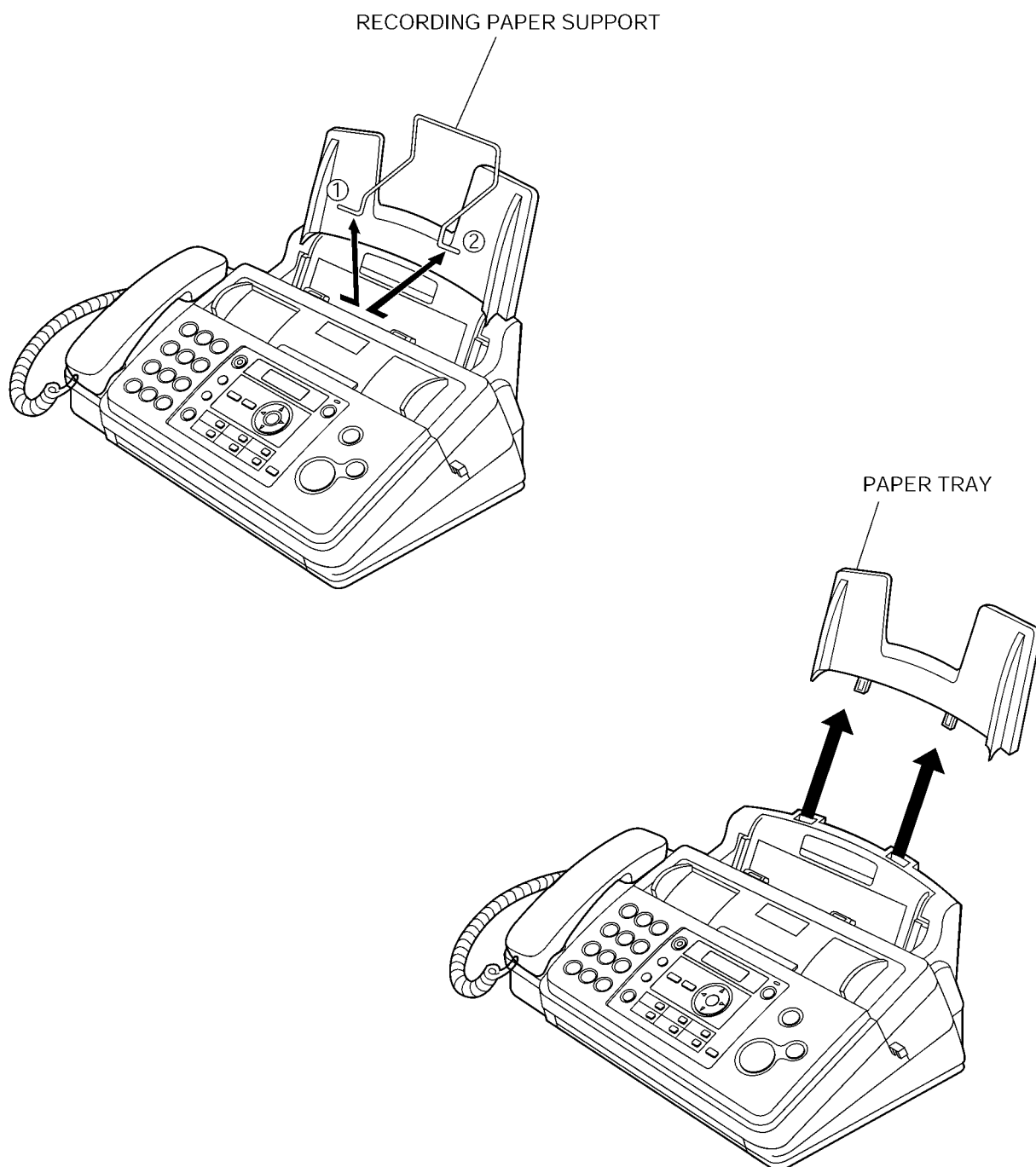
14.2. DISASSEMBLY PROCEDURE

14.2.1. HOW TO REMOVE THE PAPER TRAY AND RECORDING PAPER SUPPORT

PROCEDURE: A-1

Ref. No. A-1

- 1) Pull up and remove the RECORDING PAPER SUPPORT in the direction of the arrow.
- 2) Remove the PAPER TRAY in the direction of the arrow.

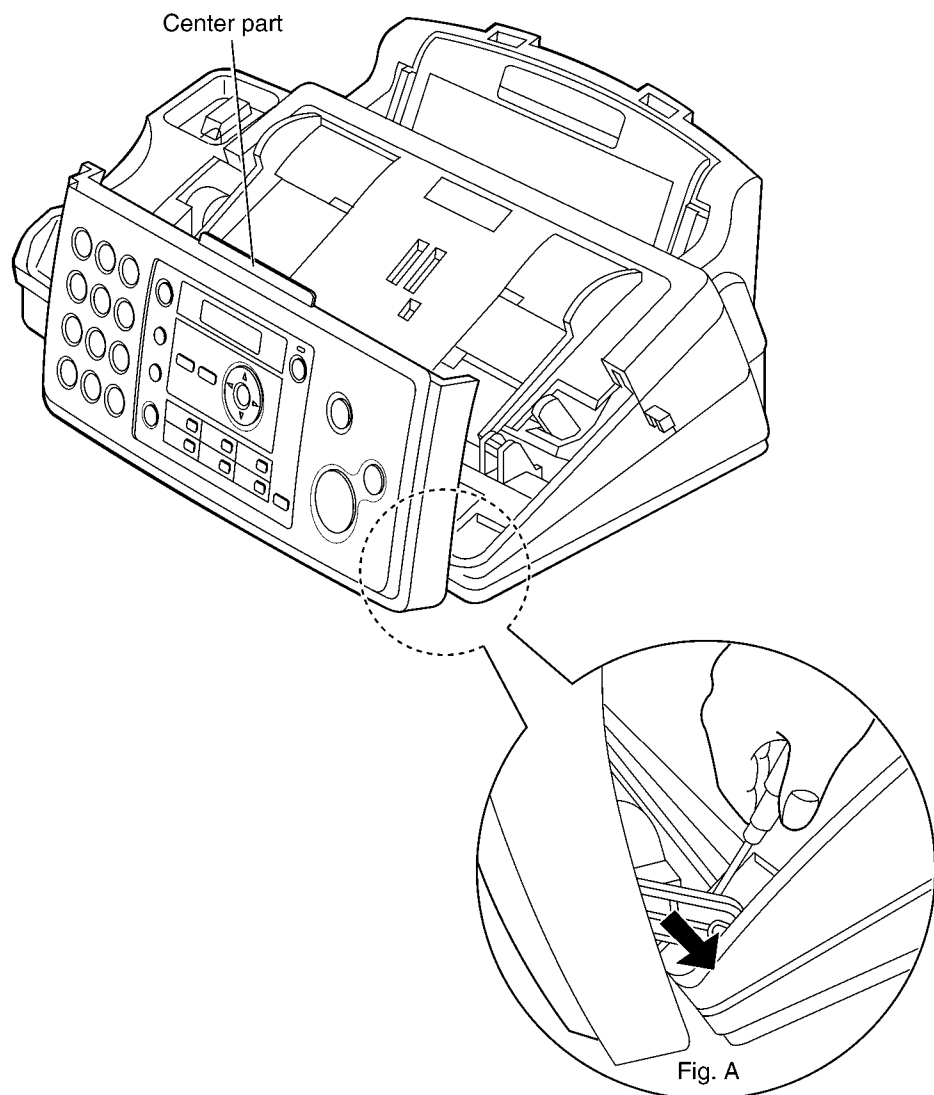


14.2.2. HOW TO REMOVE THE OPERATION PANEL BLOCK

PROCEDURE: A-1 --> B-1 --> A-2

Ref. No. A-2

- 1) Remove the SPRING from the RIB. (Ref No. B-1)
- 2) Unhook all the connectors connecting the main cabinet with the OPERATION PANEL BLOCK. (Ref No. B-1)
- 3) Open the OPERATION PANEL BLOCK by pulling up the center part.
- 4) Pull out both sides of the arms. (Fig. A)
- 5) Remove the OPERATION PANEL BLOCK.

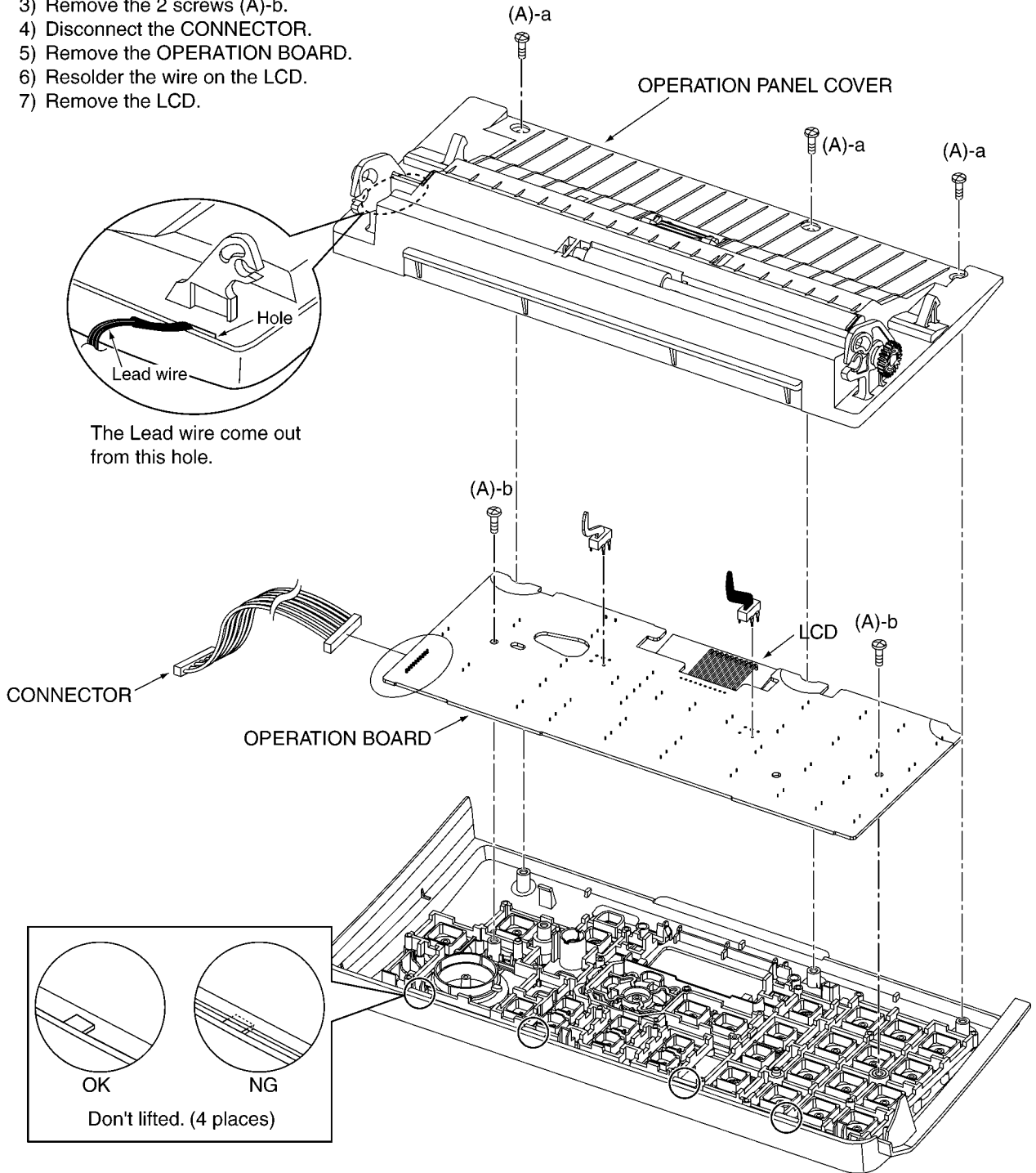


14.2.3. HOW TO REMOVE THE OPERATION BOARD AND LCD

PROCEDURE: A-1 --> B-1 --> A-2 --> A-3

Ref. No. A-3

- 1) Remove the 3 screws (A)-a.
- 2) Remove the OPERATION PANEL COVER.
- 3) Remove the 2 screws (A)-b.
- 4) Disconnect the CONNECTOR.
- 5) Remove the OPERATION BOARD.
- 6) Resolder the wire on the LCD.
- 7) Remove the LCD.



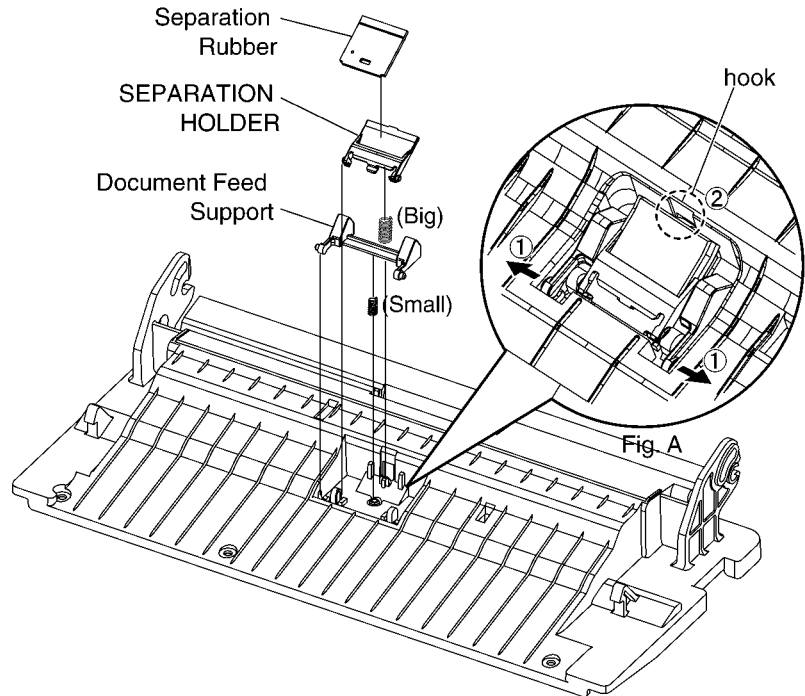
14.2.4. HOW TO REMOVE THE SEPARATION HOLDER AND EXIT ROLLER

PROCEDURE: A-1→B-1→A-2→A-3→A-4

Ref. No. A-4

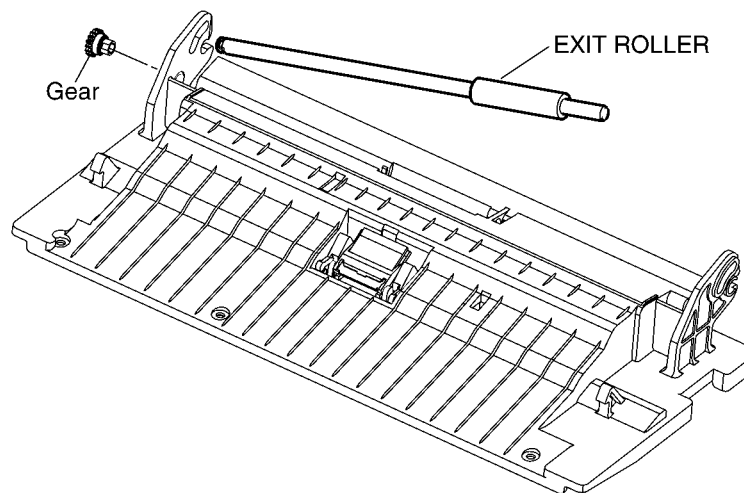
SEPARATION HOLDER

- 1) Release the hook. (See Fig. A)
- 2) Remove the Document Feed Support. (See Fig. A)
- 3) Remove the SEPARATION HOLDER.



EXIT ROLLER

- 1) Pull out the Gear from Exit Roller.
- 2) Remove the EXIT ROLLER.



14.2.5. HOW TO REMOVE THE IMAGE SENSOR (CIS)

PROCEDURE: A-1 --> B-1 --> A-2 --> A-5

Ref. No. A-5

- 1) Remove the 2 screws (A).
- 2) Remove the CONNECTOR.
- 3) Remove the IMAGE SENSOR (CIS). (Fig. A)

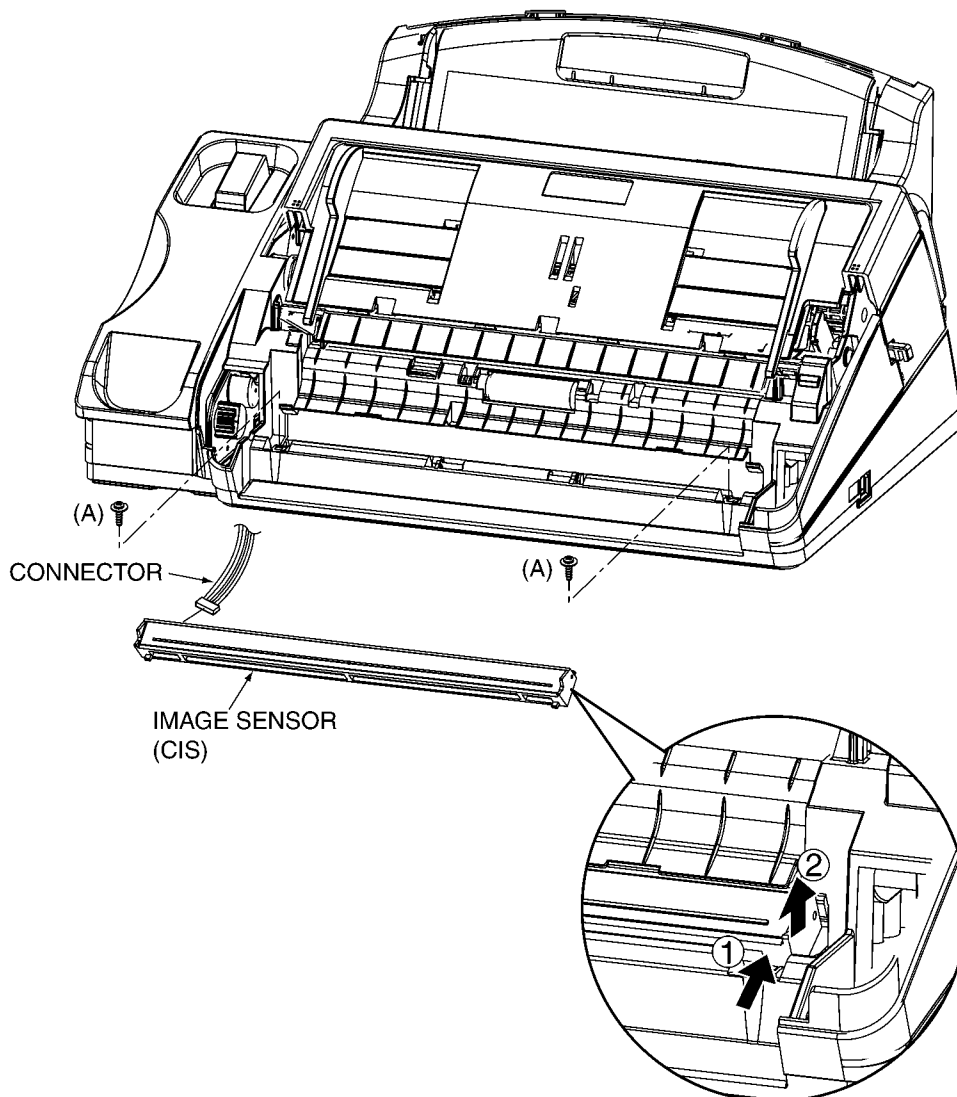


Fig. A

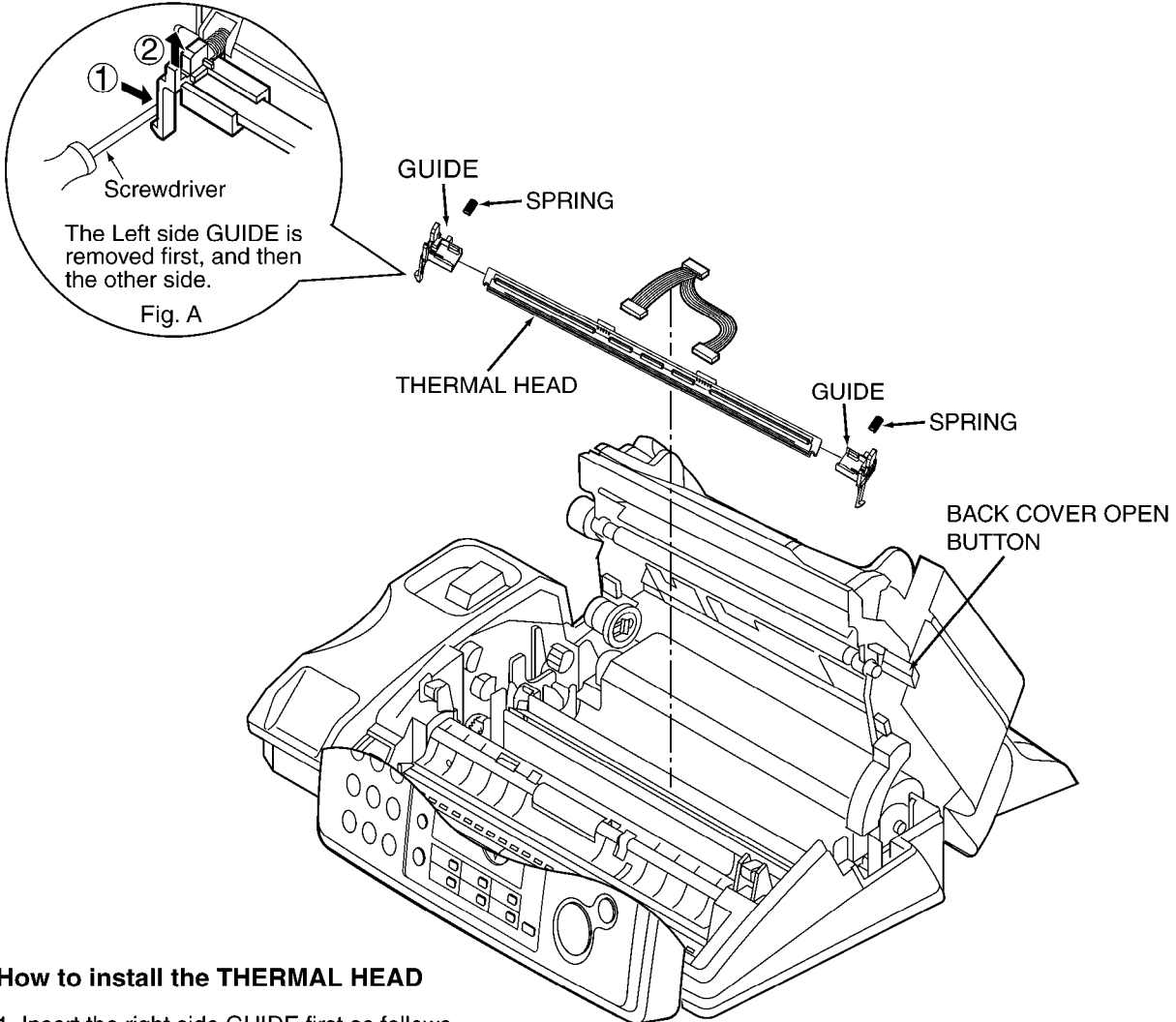
The another side is pickuded similarly.

14.2.6. HOW TO REMOVE THE THERMAL HEAD

PROCEDURE: A-1 --> A-6

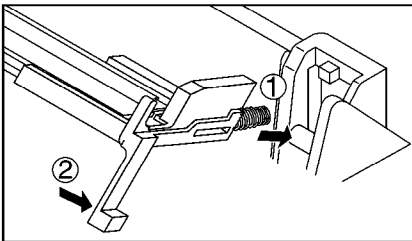
Ref. No. A-6

- 1) Push the BACK COVER OPEN BUTTON to open back cover.
- 2) Remove the 2 GUIDEs (Fig. A) and CONNECTORS.
- 3) Remove the THERMAL HEAD.



• How to install the THERMAL HEAD

1. Insert the right side GUIDE first as follows.



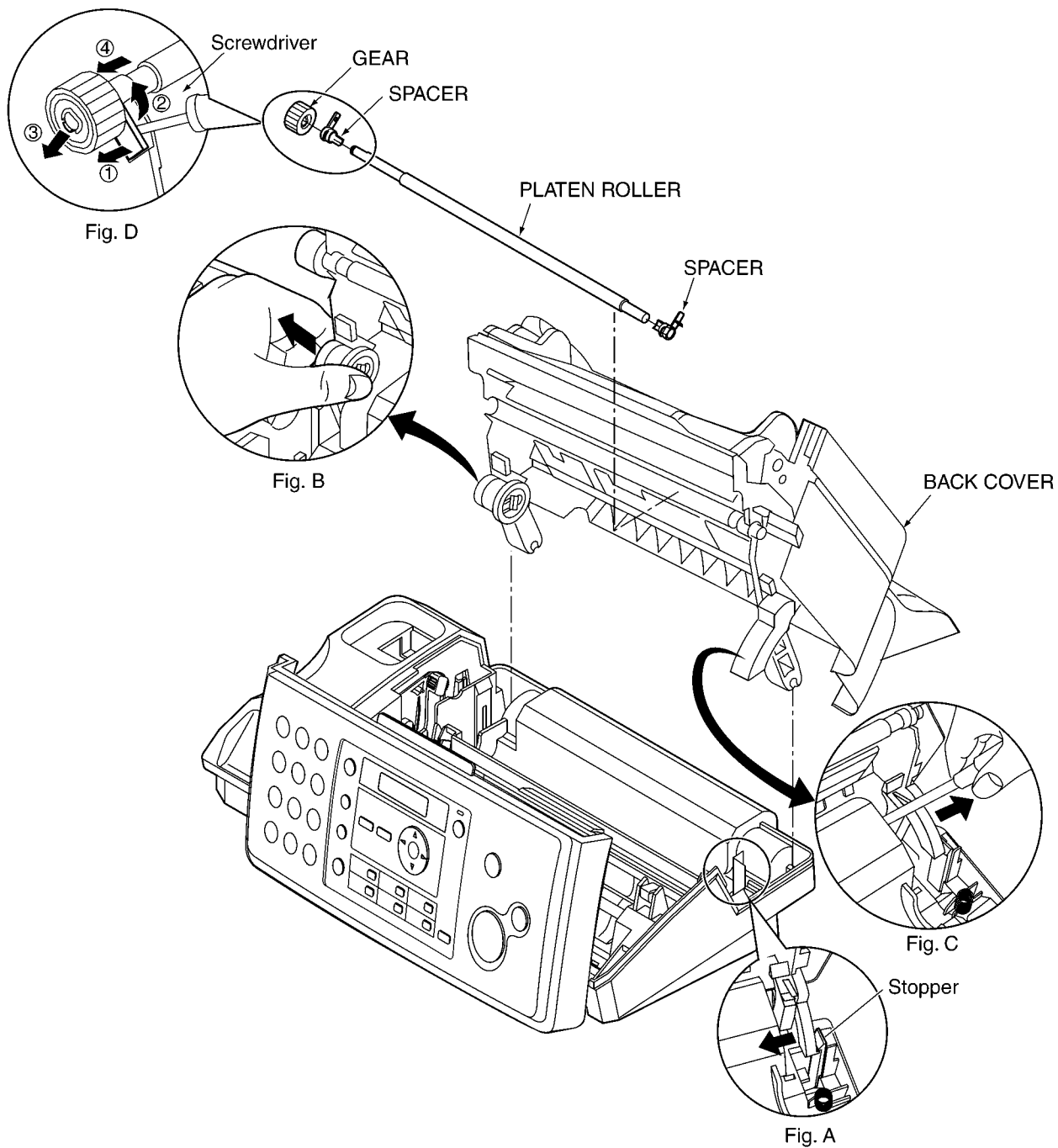
2. Put the wire between the RIB as Fig. B.
3. Insert the other side GUIDE. The another side is pick uped similarly.

14.2.7. HOW TO REMOVE THE PLATEN ROLLER AND BACK COVER

PROCEDURE: A-1 --> A-7

Ref. No. A-7

- 1) Push the BACK COVER OPEN BUTTON to open back cover.
- 2) Release the stopper. (Fig. A)
- 3) Push both side arms of the BACK COVER to outside, then move the cover up. (Fig. B, Fig. C)
- 4) Remove the BACK COVER.
- 5) Remove the GEAR and 2 SPACERS from the ribs as Fig. D.
- 6) Remove the PLATEN ROLLER.

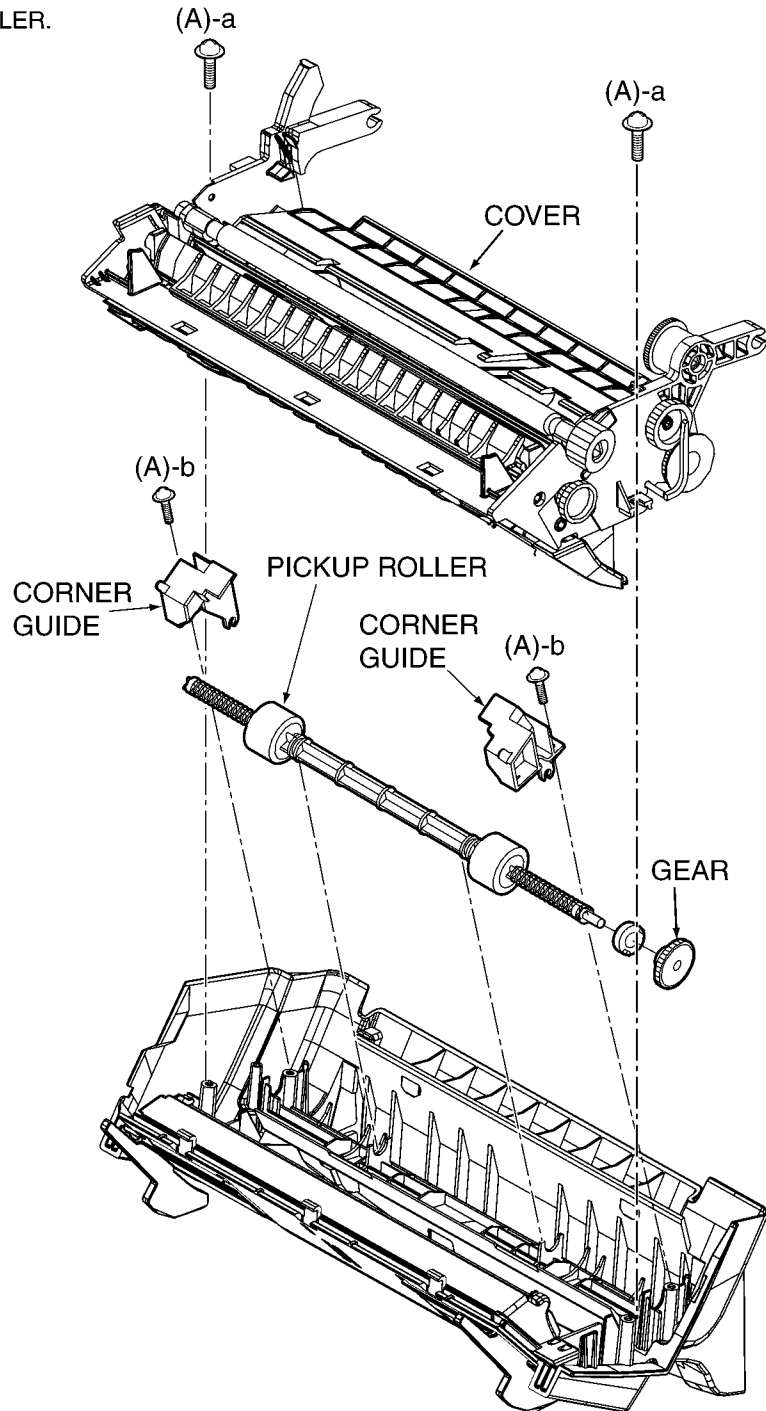


14.2.8. HOW TO REMOVE THE PICKUP ROLLER

PROCEDURE: A-1 --> A-7 --> A-8

Ref. No. A-8

- 1) Remove the 2 screws A-a.
- 2) Remove the COVER.
- 3) Remove the screws A-b.
- 4) Remove the 2 CORNER GUIDES.
- 5) Remove the GEAR.
- 6) Remove the PICKUP ROLLER.



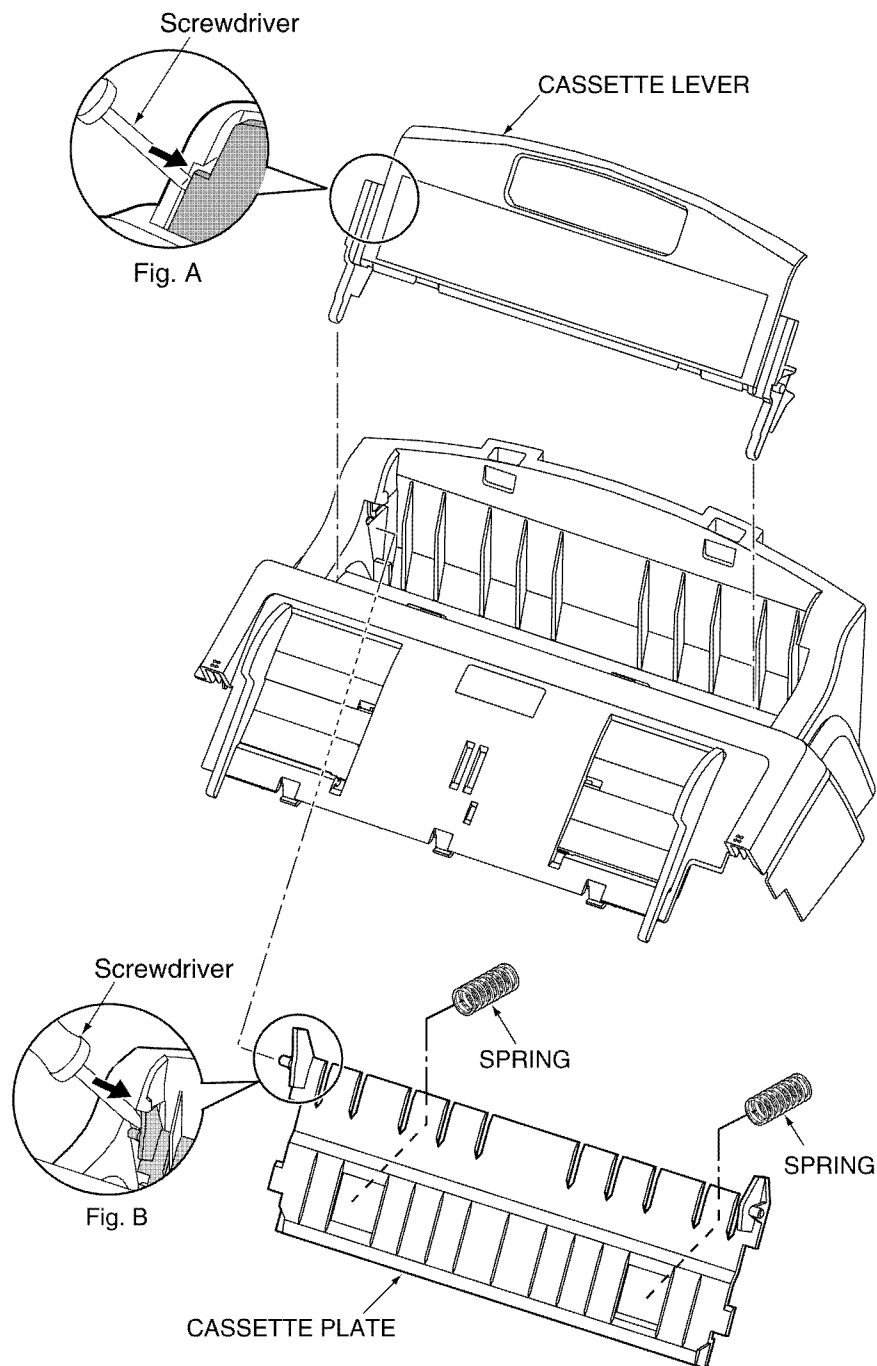
14.2.9. HOW TO REMOVE THE CASSETTE LEVER

PROCEDURE: A-1 --> A-7 --> A-9

Ref. No. A-9

- 1) Remove the 2 Springs.
- 2) Pull up and remove the CASSETTE LEVER (Fig. A).
- 3) Pull up and remove the CASSETTE PLATE (Fig. B).

Note: Inserting the CASSETTE PLATE to the unit, then insert the 2 Springs.

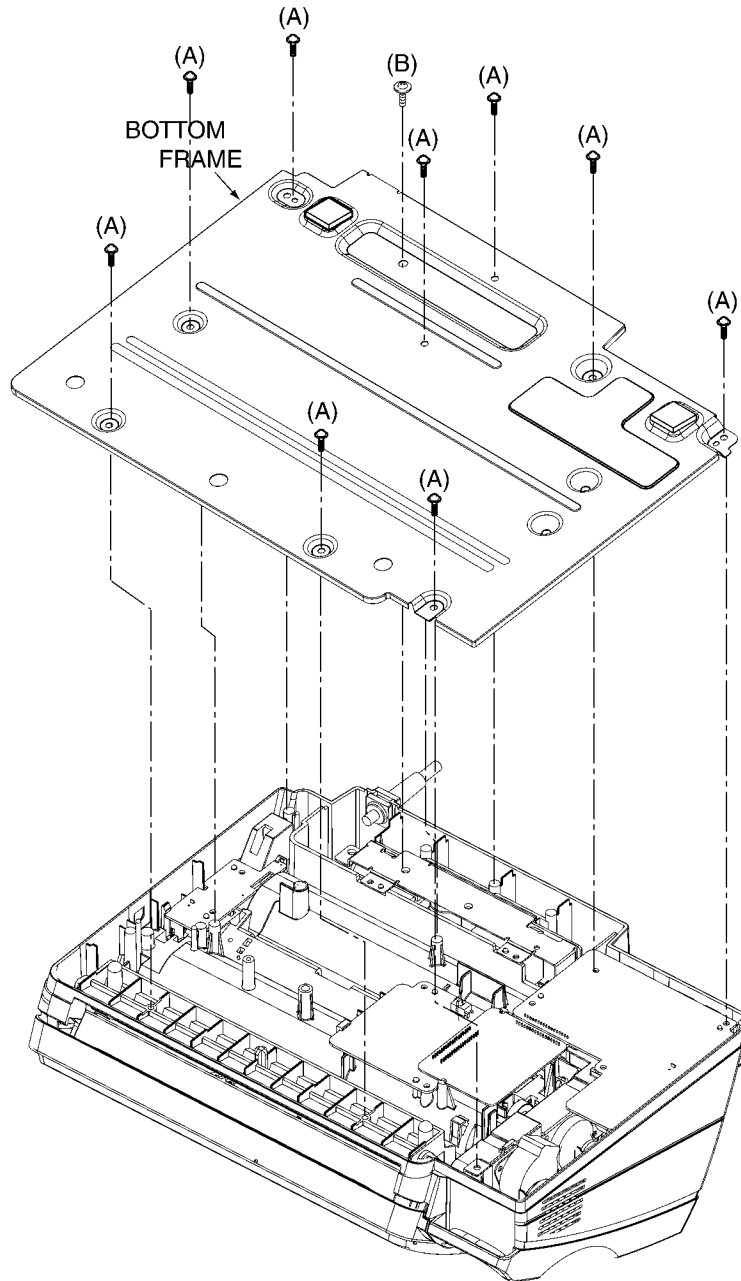


14.2.10. HOW TO REMOVE THE BOTTOM FRAME

PROCEDURE: A-1 --> B-1

Ref. No. B-1

- 1) Remove the 9 screws (A).
- 2) Remove the 1 screws (B).
- 3) Remove the BOTTOM FRAME.



14.2.11. HOW TO REMOVE THE DIGITAL, ANALOG, SENSOR BOARDS

PROCEDURE: A-1 --> B-1 --> B-2

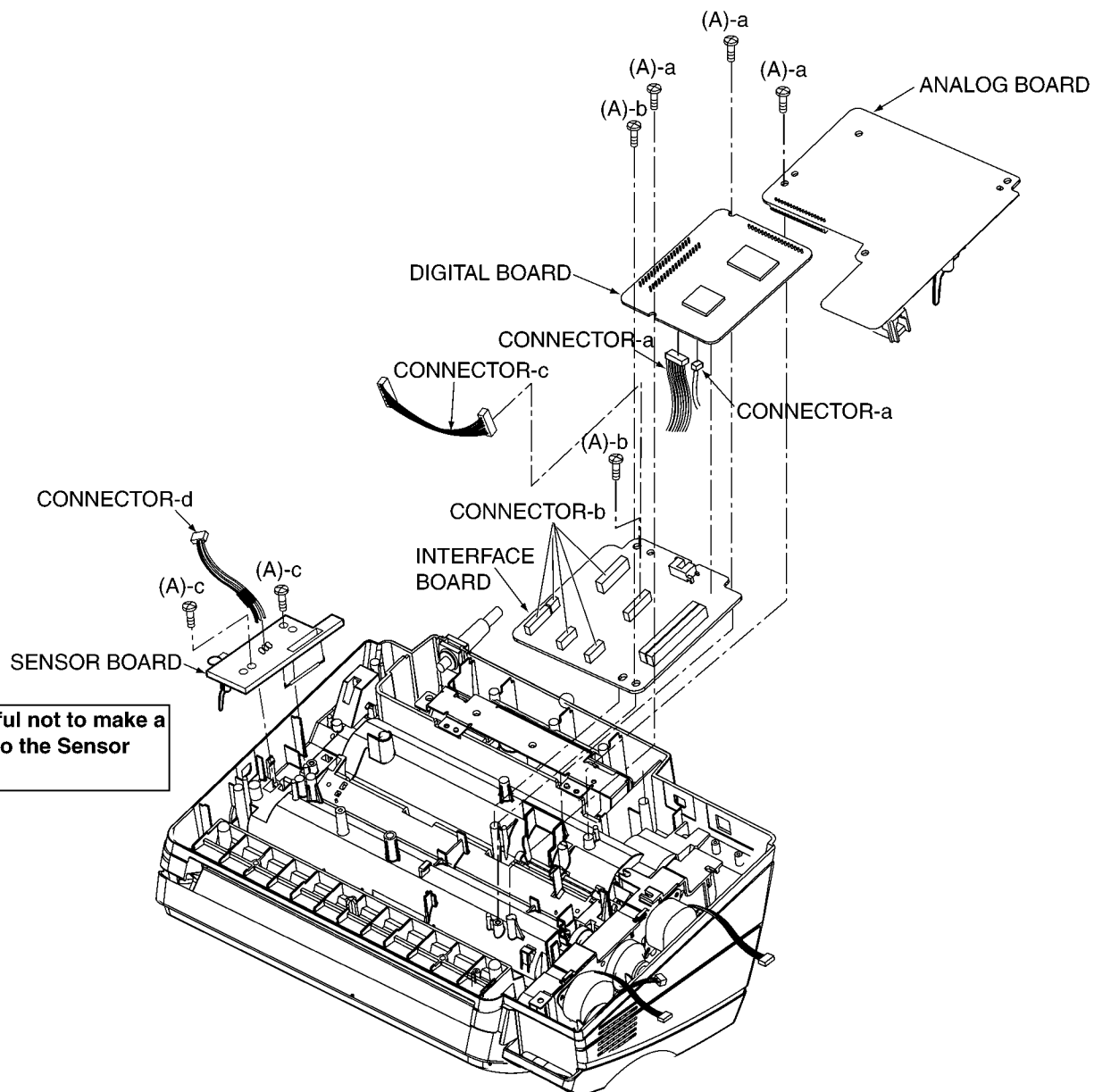
Ref. No. B-2

<ANALOG / DIGITAL / INTERFACE BOARD>

- 1) Remove the 3 screws (A)-a.
- 2) Remove the ANALOG BOARD.
- 3) Disconnect the CONNECTORs-a.
- 4) Remove the DIGITAL BOARD.
- 5) Remove the 2 screws (A)-b.
- 6) Disconnect the CONNECTORs-b and CONNECTOR-c.
- 7) Remove the INTERFACE BOARD.

<SENSOR BOARD>

- 1) Remove the 2 screws (A)-c.
- 2) Disconnect the CONNECTOR-d.
- 3) Remove the SENSOR BOARD.



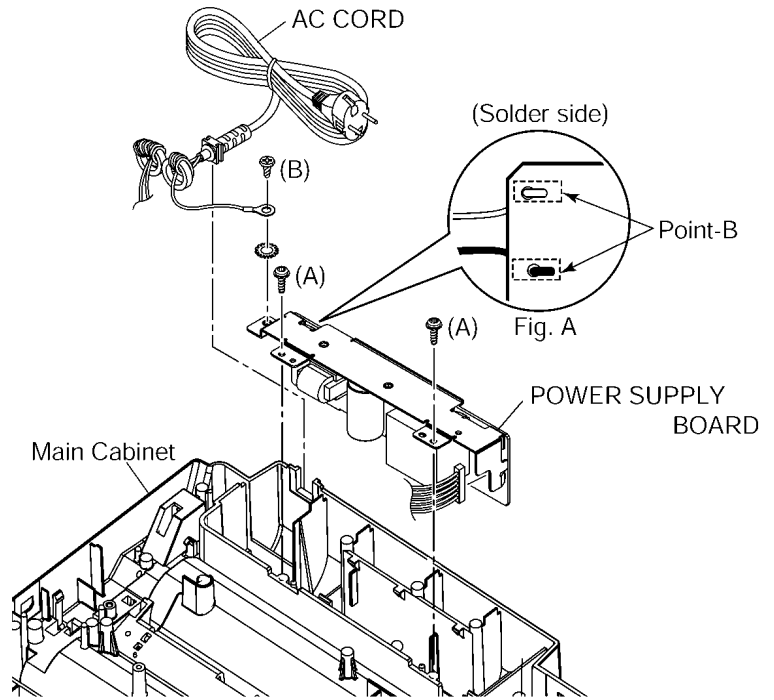
Be careful not to make a impact to the Sensor Board.

14.2.12. HOW TO REMOVE THE POWER SUPPLY BOARD AND AC CORD

PROCEDURE: B-1→B-2→B-3

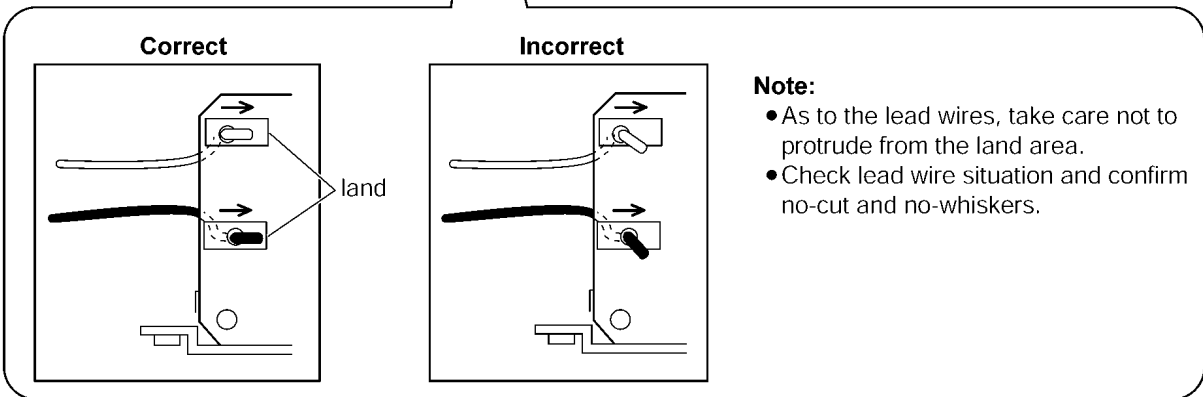
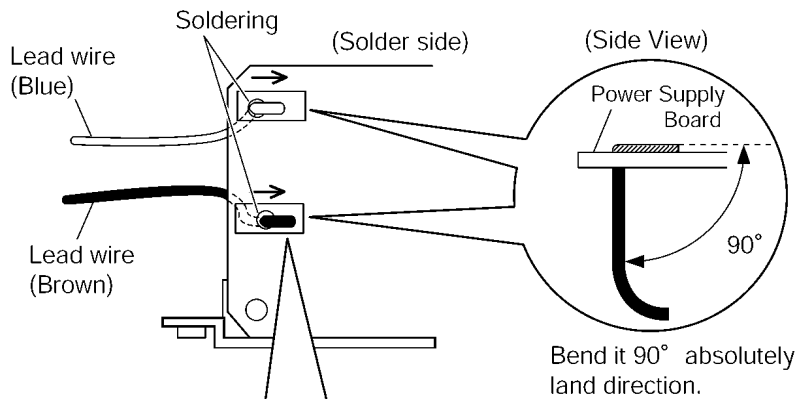
Ref. No. B-3

- 1) Remove the Analog Board. (Refer to B-2.)
- 2) Remove the 2 screws (A).
- 3) Remove the Power Supply Board with AC Cord from Main Cabinet.
- 4) Remove the 1 screw (B).
- 5) Unsolder the Point-B. (See Fig. A)
- 6) Remove the POWER SUPPLY BOARD and AC CORD.



(This pictured model is KX-FP701.)

The soldering of AC Cord



14.2.13. HOW TO REMOVE THE MOTOR BLOCK AND SEPARATION ROLLER

PROCEDURE: A-1 --> B-1 --> B-2 --> B-4

Ref. No. B-4

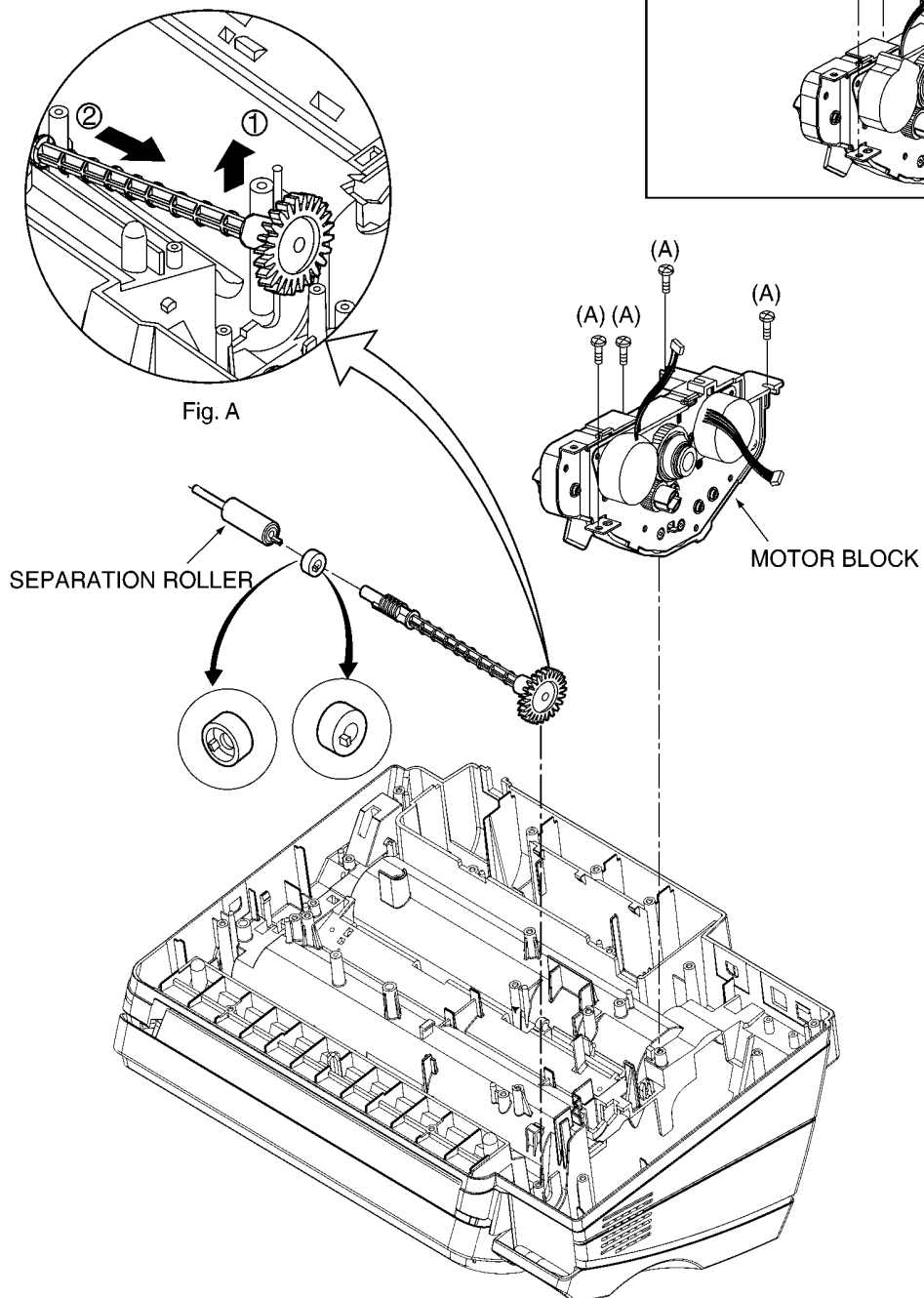
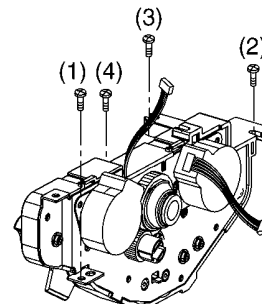
- 1) Remove the 4 screws (A).
- 2) Remove the MOTOR BLOCK.
- 3) Remove the SEPARATION ROLLER. (Fig. A)

Note:

When install the SEPARATION ROLLER, it inserted fully until the click is heard.

CAUTION:

When you set up, fasten these screws in order of number below.

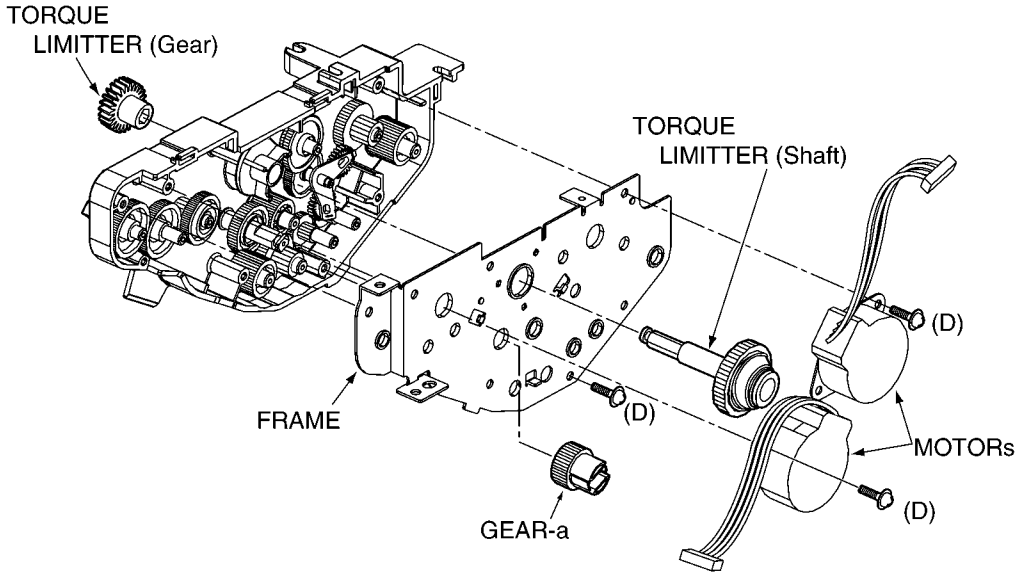


14.2.14. HOW TO REMOVE THE GEARS OF MOTOR BLOCK

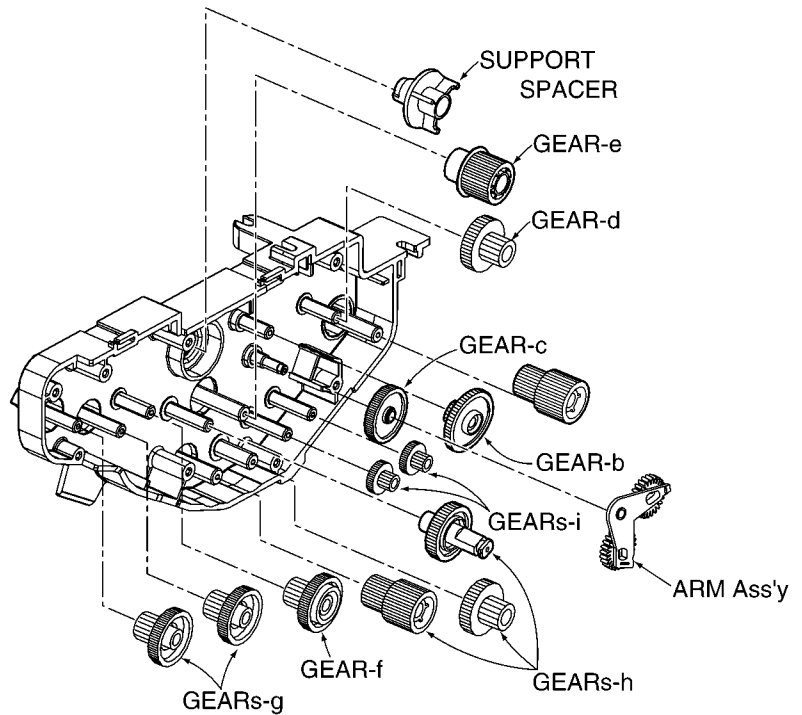
PROCEDURE: A-1 --> B-1 --> B-2 --> B-3 --> B-5

Ref. No. B-5

- 1) Remove the 3 screws (D).
- 2) Unlock the claws with TORQUE LIMITTER (Gear), then pull the TORQUE LIMITTER (Shaft).
- 3) Remove the 2 MOTORS and FRAME.
- 4) Remove the GEAR-a.

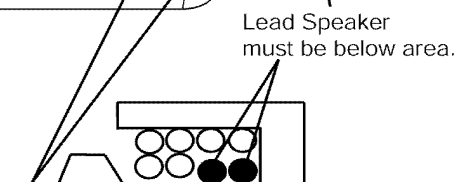
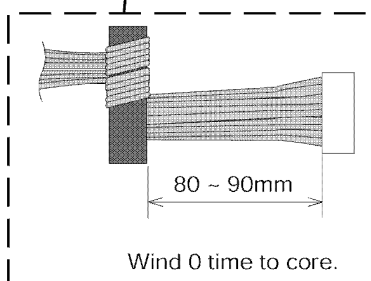
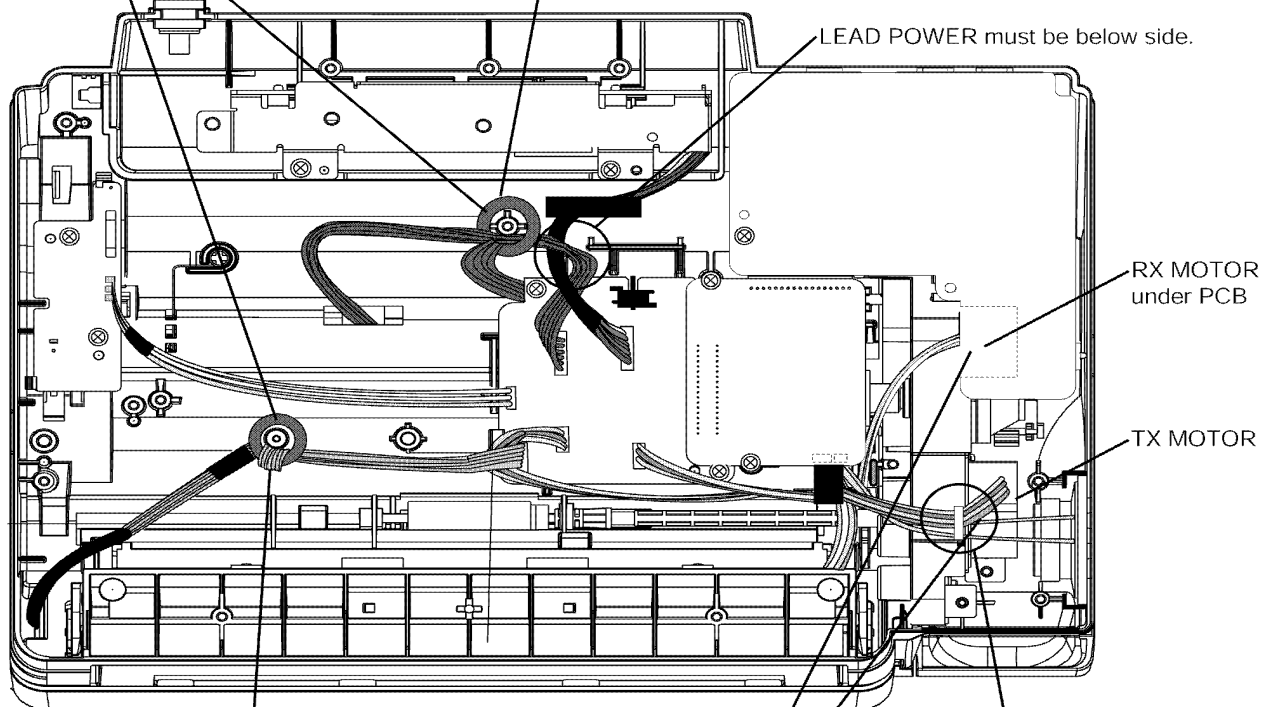
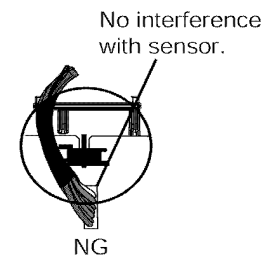
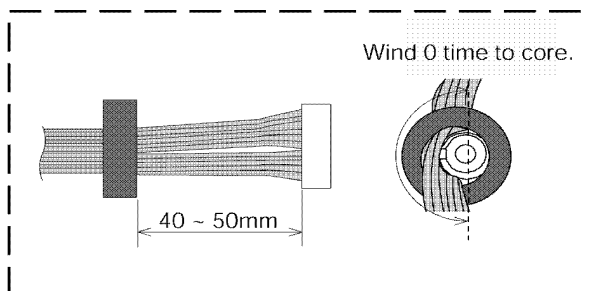


- 5) Remove the ARM Ass'y.
- 6) Remove the GEAR-b.
- 7) Remove the GEAR-c.
- 8) Remove the SUPPORT SPACER.
- 9) Remove the GEAR-d.
- 10) Remove the GEAR-e.
- 11) Remove the GEAR-f.
- 12) Remove the GEARS-g.
- 13) Remove the GEARS-h.
- 14) Remove the GEARS-i.

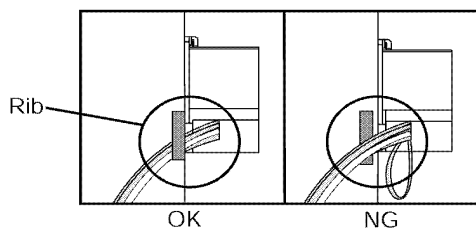


14.2.15. INSTALLATION POSITION OF THE LEAD WIRES

Do not lift off the ferrite core from the boss.



CAUTION:



Insert RX & TX motor lead between the rib of GEAR BASE.

15 Maintenance

15.1. Maintenance Items and Component Locations

15.1.1. Outline

Maintenance and repairs are performed using the following steps.

1. Periodic maintenance

Inspect the equipment periodically and if necessary, clean any contaminated parts.

2. Check for breakdowns

Look for problems and consider how they arose. If the equipment can be still used, perform copying, self testing or communication testing.

3. Check equipment

Perform copying, self testing and communication testing to determine if the problem originates from the transmitter, receiver or the telephone line.

4. Determine causes

Determine the causes of the equipment problem by troubleshooting.

5. Equipment repairs

Repair or replace the defective parts and take appropriate measures at this stage to ensure that the problem will not recur

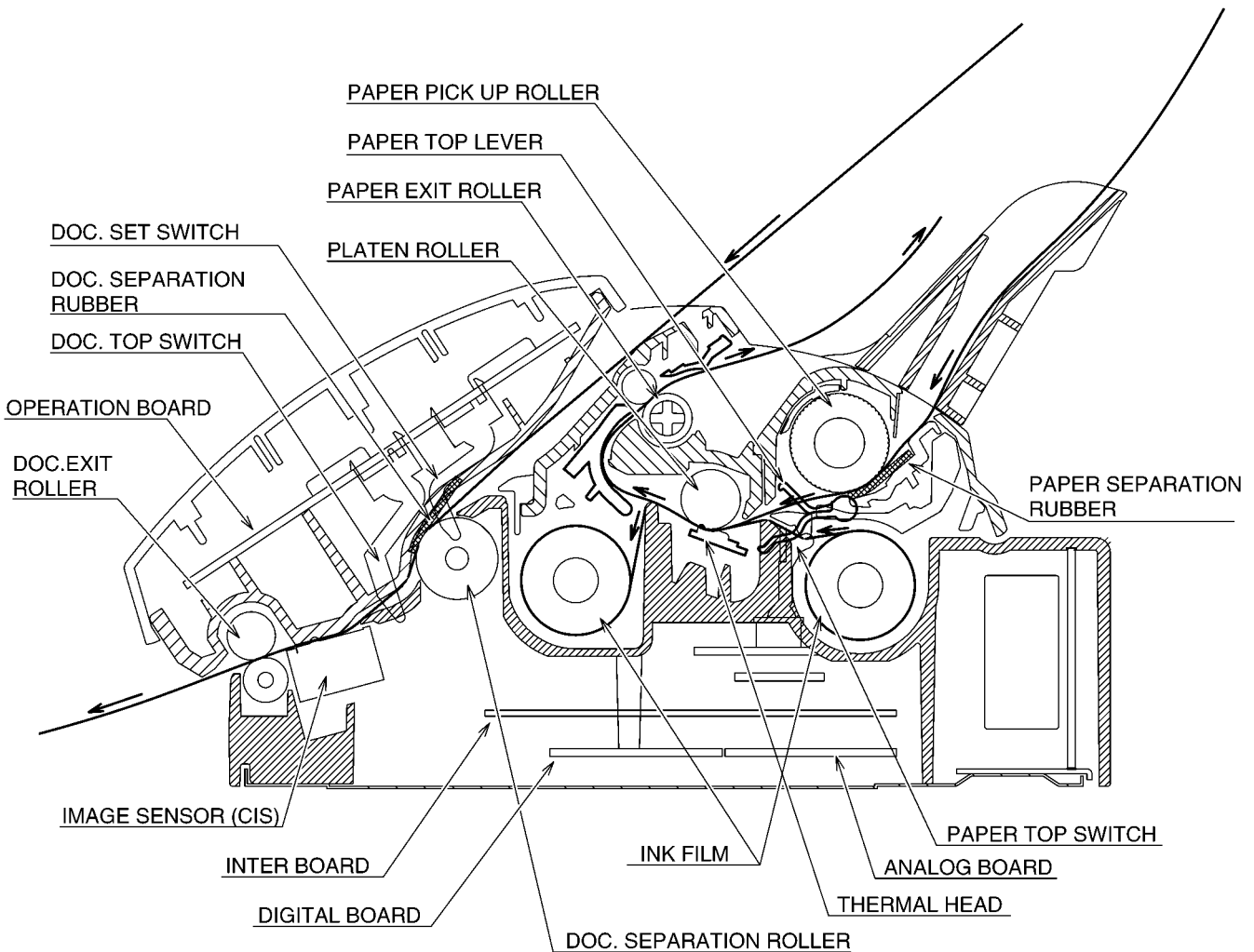
6. Confirm normal operation of the equipment

After completing the repairs, conduct copying, self testing and communication testing to confirm that the equipment operates normally.

7. Record keeping

Make a record of the measures taken to rectify the problem for future reference.

15.1.2. Maintenance Check Items/Component Locations



15.1.2.1. Maintenance List

No.	OPERATION	CHECK	REMARKS
1	Document Path	Remove any foreign matter such as paper.	—
2	Rollers	If the roller is dirty, clean it with a damp cloth then dry thoroughly.	Refer to 15.4.1.Document feeder/recording paper feeder/scanner glass cleaning (P.161).
3	Platen Roller	If the platen is dirty, clean it with a damp cloth then dry thoroughly. Remove the paper and film cartridge before cleaning.	—
4	Thermal Head	If the thermal head is dirty, clean the printing surface with a cloth moistened with denatured alcohol (alcohol without water), then dry thoroughly.	Refer to 15.4.2.Thermal Head Cleaning (P.162).
5	Sensors	Document top sensor (SW337), Document set sensor (SW338), Cover open sensor (SW502), Paper top sensor (SW502), Film detection sensor (SW501), Film end sensor (SW1003) . Confirm the operation of the sensors.	See 15.1.2.Maintenance Check Items/Component Locations (P.152) and 14.2.11.HOW TO REMOVE THE DIGITAL, ANALOG, SENSOR BOARDS (P.147).
6	Glass	If the glass is dirty, clean them with a dry soft cloth.	Refer to 15.4.1.Document feeder/recording paper feeder/scanner glass cleaning (P.161).
7	Abnormal, wear and tear or loose parts	Replace the part. Check if the screws are tight on all parts.	—

15.1.2.2. Maintenance Cycle

No.	Item	Cleaning Cycle	Replacement	
			Cycle	Procedure
1	Separation Roller (Ref. No. 145)*2	3 months	7 years*1 (31,500 documents)	Refer to 14.2.13.HOW TO REMOVE THE MOTOR BLOCK AND SEPARATION ROLLER (P.149).
2	Separation Rubber (Ref. No. 13)	3 months	7 years (31,500 documents)	Refer to 15.4.1.Document feeder/recording paper feeder/scanner glass cleaning (P.161).
3	Feed Rollers (Ref. No. 11, 56, 94)	3 months	7 years (31,500 documents)	Refer to 14Disassembly and Assembly Instructions (P.135).
4	Thermal Head (Ref. No. 40)	3 months	7 years (31,500 documents)	Refer to 14.2.6.HOW TO REMOVE THE THERMAL HEAD (P.142).
5	Platen Roller (Ref. No. 90)	3 months	7 years (31,500 documents)	Refer to 14.2.7.HOW TO REMOVE THE PLATEN ROLLER AND BACK COVER (P.143).
6	Pickup Roller (Ref. No. 96)	3 months	7 years (31,500 documents)	Refer to 14.2.8.HOW TO REMOVE THE PICKUP ROLLER (P.144).

Note:

*1 These values are standard and may vary depending on usage conditions.

*2 Refer to **20.1.Cabinet, Mechanical and Electrical Parts Location** (P.195).

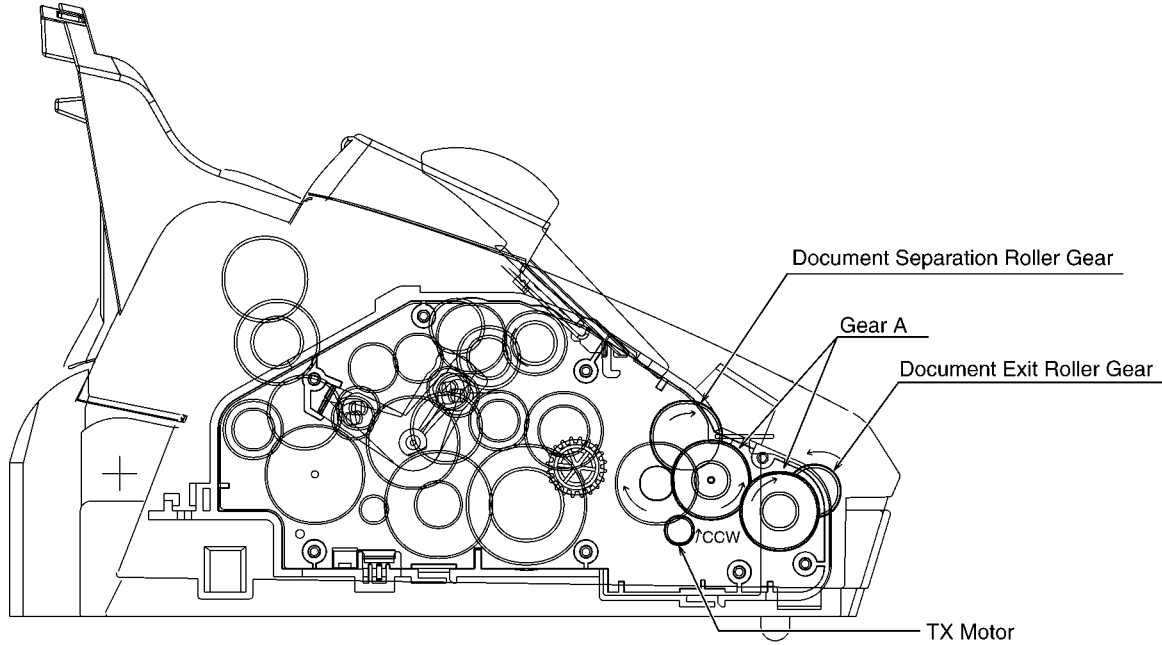
15.2. GEAR SECTION

15.2.1. GEAR OPERATION

Once a mode is selected, the Drive Motor Gear rotates clockwise (CW) and then the controlling positions of Swing Gears A, B and C determine which gears convey their drive power in each mode. See **"Sensor Location"** in **6.5.Sensors and Switches** (P.31).

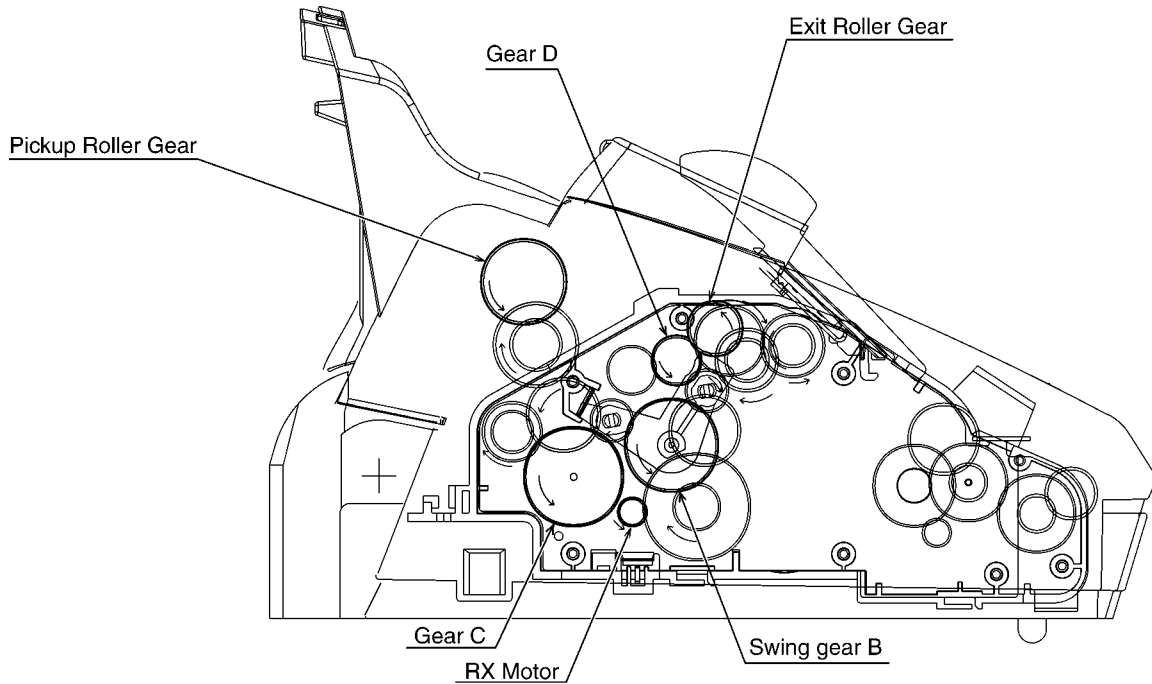
15.2.1.1. TRANSMIT MODE

The TX MOTOR rotate CCW and conveys its power to the document separation roller gear and document Exit Roller Gear.



15.2.1.2. PAPER PICK UP AND PAPER EXIT MODE

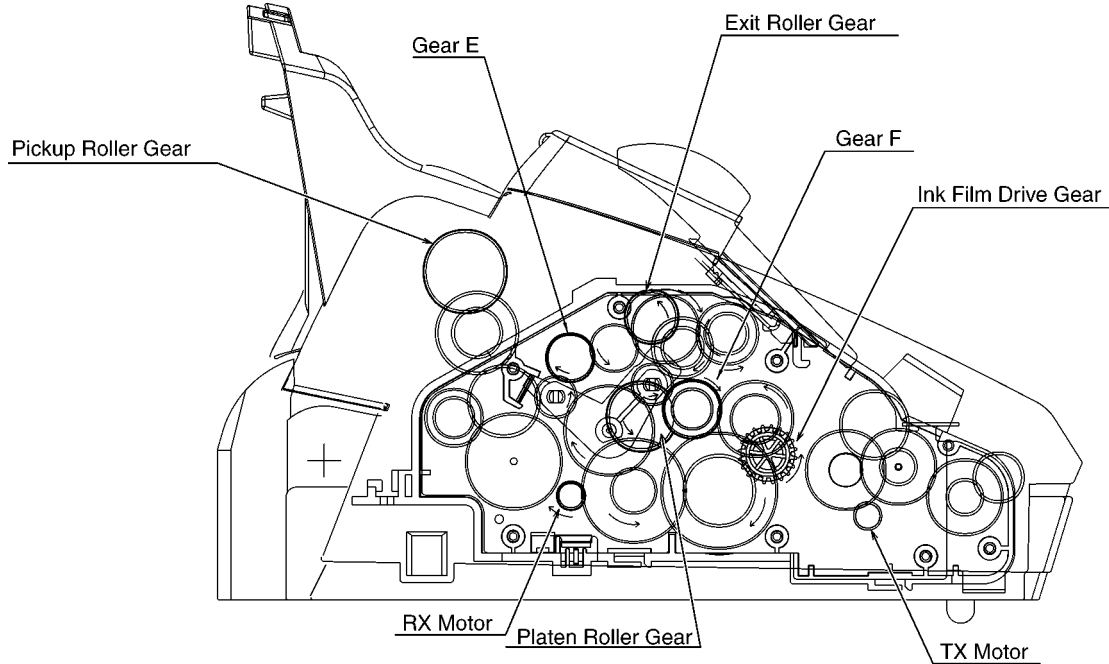
The RX MOTOR rotate CCW and swing Gear B engages Gear C, and conveys its power to the Pickup Roller Gear. The Swing Gear B engages Gear D, and conveys its power to the Exit Roller Gear.



15.2.1.3. PRINT MODE

The RX MOTOR rotate CW and Swing Gear B engages Gear F, and conveys its power to Platen Roller Gear and Ink Film Driver Gear.

The Swing Gear B engages Gear E, and conveys its power to the Exit Roller Gear.



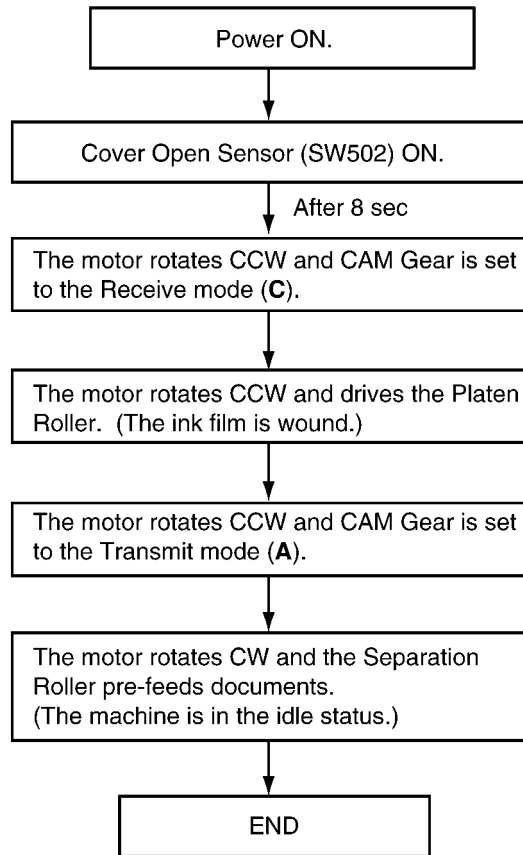
15.2.1.4. COPY MODE

RX side: Paper Pickup mode → Print mode → Paper Exit mode.

TX side: Transmit mode.

15.2.2. Mechanical Movements in the Main Operations (transmitting documents, receiving faxes and copying)

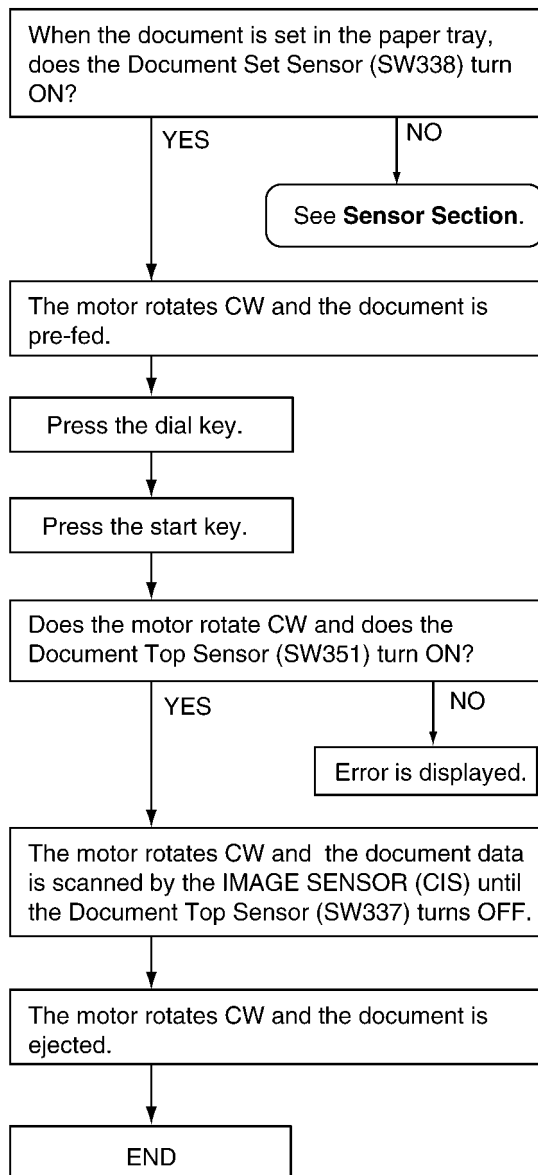
15.2.2.1. Idle Status



Note:

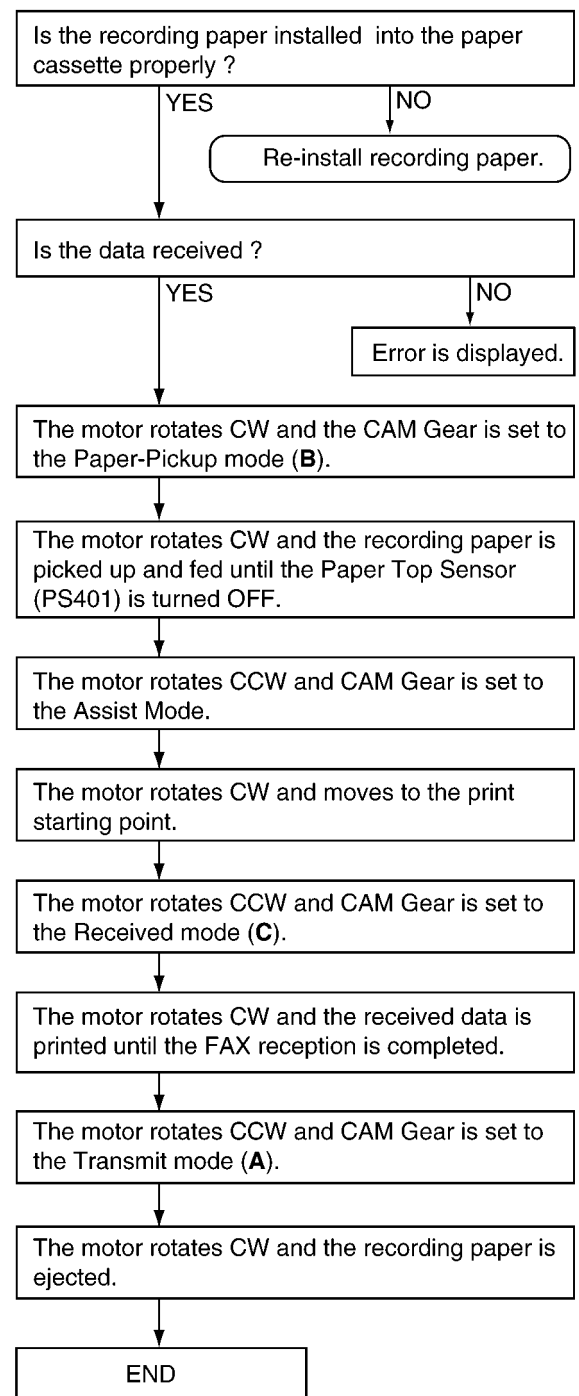
- See "Sensor Locations" in 6.5.Sensors and Switches (P.31).
- CW.....clockwise
- CCW....counterclockwise

15.2.2.2. Transmitting Documents



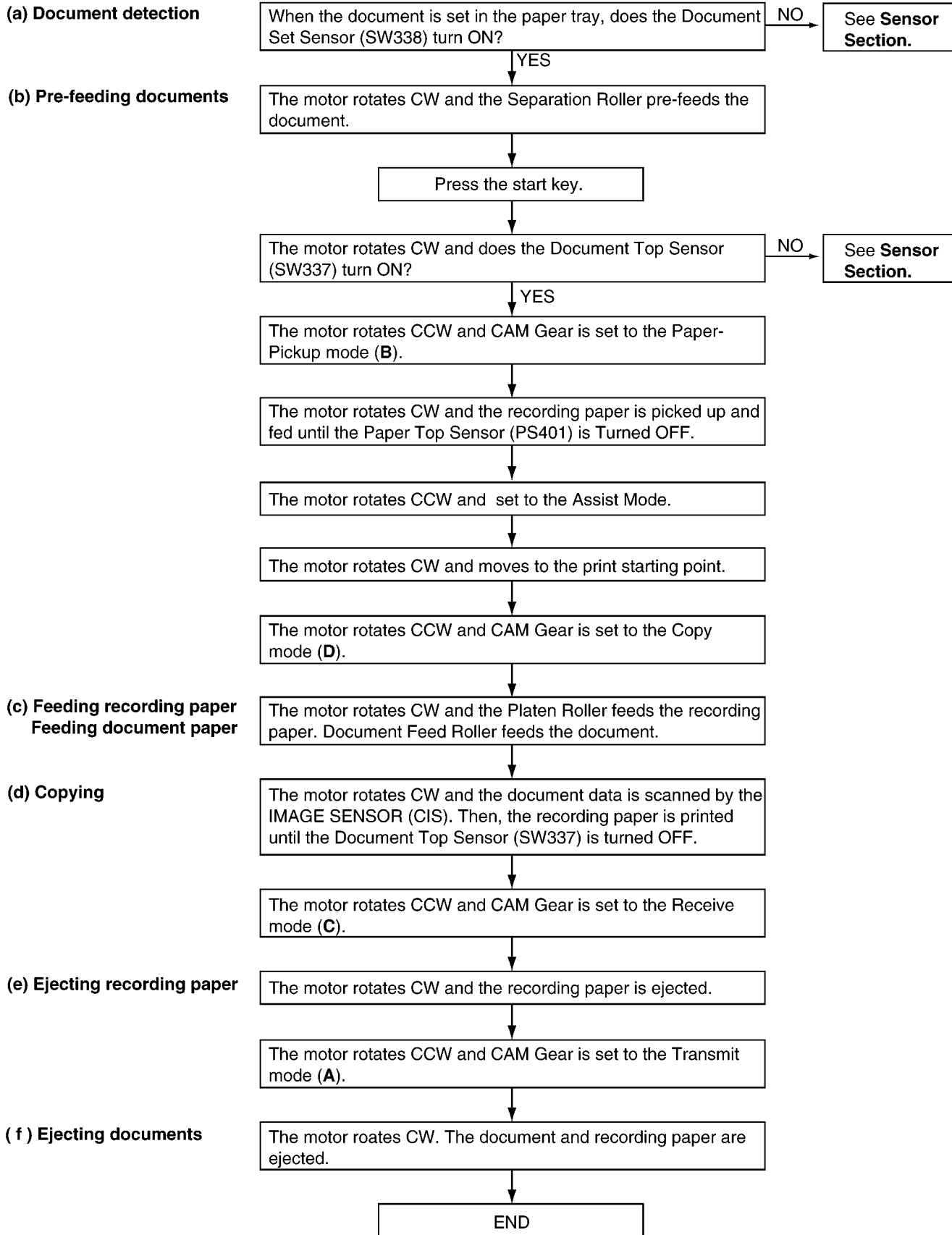
REFERENCE:
12.5.9.Sensor Section (P.130).

15.2.2.3. Receiving Fax



Note:
See "Sensor Locations" in 6.5.Sensors and Switches (P.31).

15.2.2.4. Copying



Note:
See "Sensor Locations" in 6.5.Sensors and Switches (P.31).

REFERENCE:
12.5.9.Sensor Section (P.130)

15.3. Jams

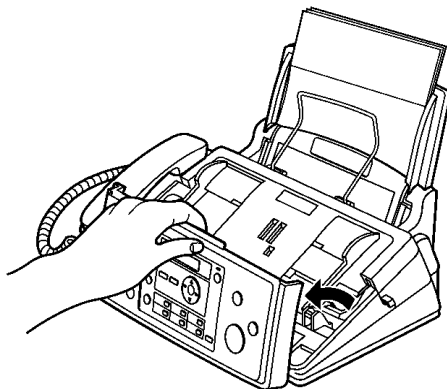
15.3.1. Recording Paper Jams

15.3.1.1. When the recording paper has jammed in the unit

The display will show the following.

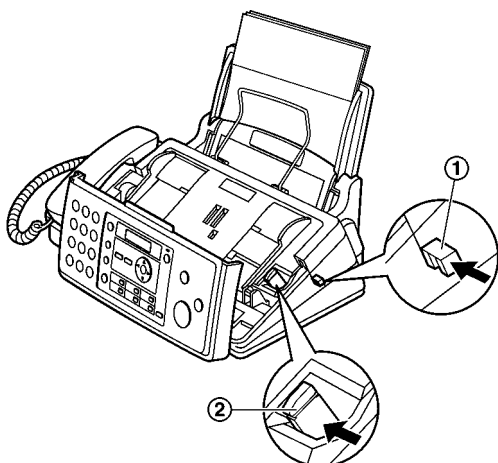
PAPER JAMMED

1. Open the front cover by pulling up the centre part.

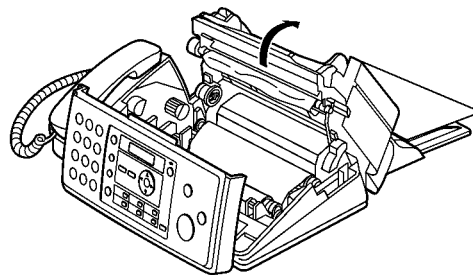


2. Release the back cover by pushing the green button (1).

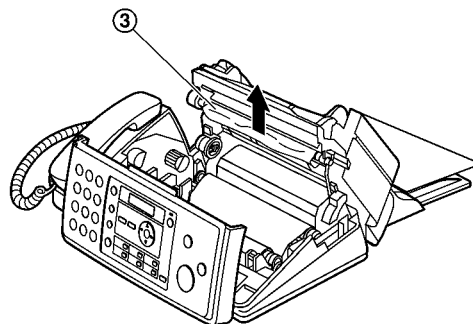
- You can also release the back cover by pushing in the green lever (2).



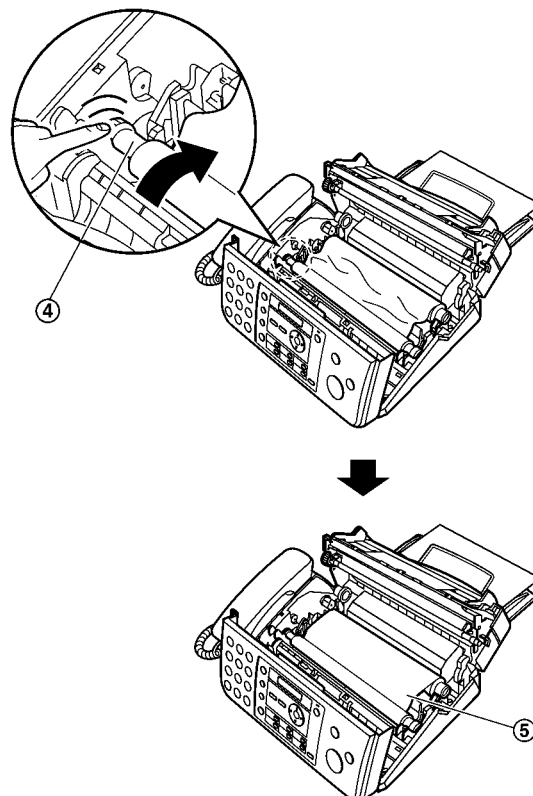
3. Open the back cover.



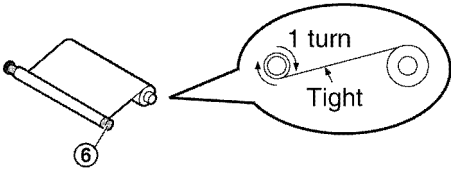
4. Remove the jammed recording paper (3).



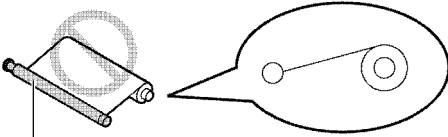
5. Turn the blue gear (4) in the direction of the arrow until the ink film is tight (5) and at least one layer of ink film is wrapped around the blue core (6).



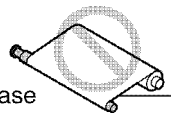
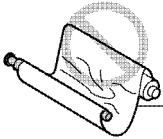
Correct



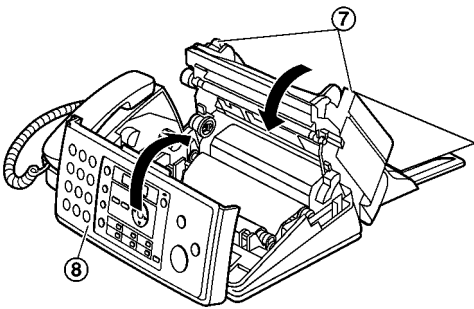
Incorrect



No ink film is wrapped around the blue core.



6. Close the back cover securely by pushing down on the dotted area at both ends (7), then close the front cover securely (8).

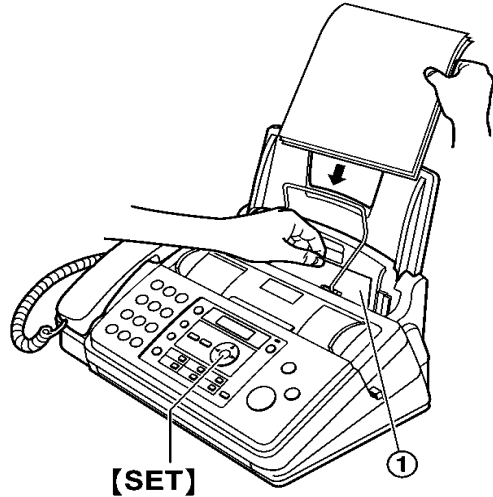


15.3.1.2. When the recording paper was not fed into the unit properly

The display will show the following.

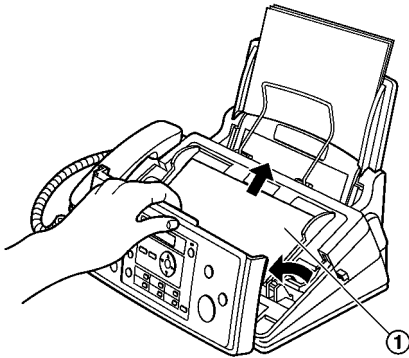


Remove the recording paper and straighten. Pull the tension plate (1) forward and hold open while inserting paper, then press **[SET]** to clear the message.



15.3.2. Document Jams - sending

1. Open the front cover by pulling up the centre part.
Remove the jammed document carefully (①).



2. Close the front cover securely.

Note:

- Do not pull out the jammed paper forcibly before opening the front cover.

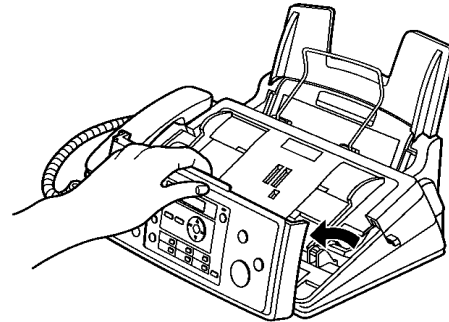
15.4. Cleaning

15.4.1. Document feeder/recording paper feeder/scanner glass cleaning

Clean the document feeder/scanner glass when:

- Documents or recording paper frequently misfeed.
- Smudges or black/white lines appear on the original document when sending or copying.

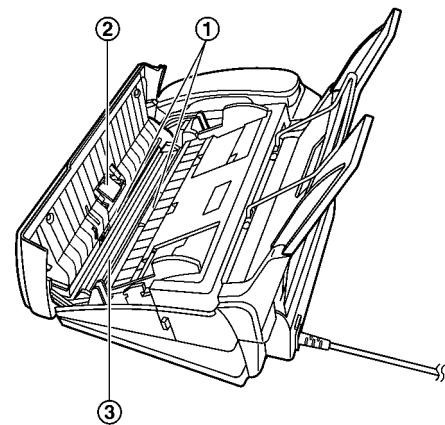
1. Disconnect the power cord and the telephone line cord.
2. Open the front cover by pulling up the centre part.



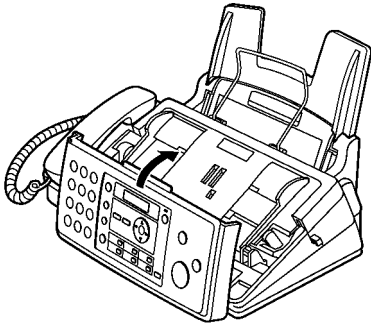
3. Clean the document feeder rollers (①) and rubber flap (②) with a cloth moistened with isopropyl rubbing alcohol, and let all parts dry thoroughly. Clean the scanner glass (③) with a soft, dry cloth.

Caution:

- Do not use paper products, such as paper towels or tissues.



4. Close the front cover securely.

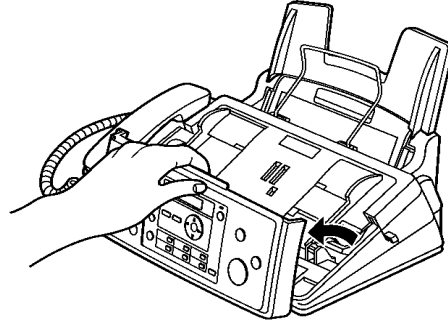


5. Insert the recording paper gently.
6. Connect the power cord and the telephone line cord.
(See 8.4. Installing the Paper Tray (P.56) and 8.6. Installing the Recording Paper (P.57))

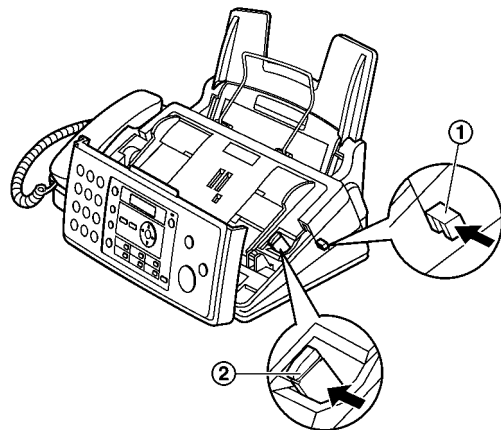
15.4.2. Thermal Head Cleaning

If smudges or black/white lines appear on a copied/received document, check whether there is dust on the thermal head. Clean the thermal head to remove the dust.

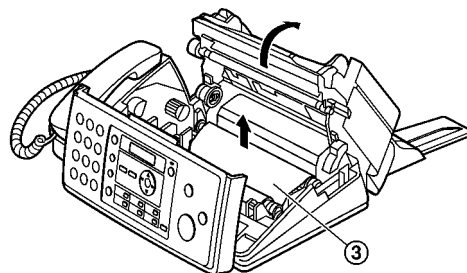
1. Disconnect the power cord and the telephone line cord.
2. Open the front cover by pulling up the centre part.



3. Release the back cover by pushing the green button (①).
• You can also release the back cover by pushing in the green lever (②).



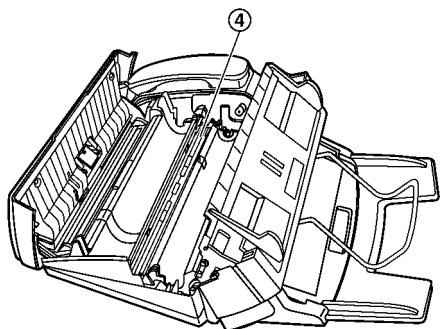
4. Open the back cover. Remove the ink film (③).



5. Clean the thermal head (4) with a cloth moistened with isopropyl rubbing alcohol, and let it dry thoroughly.

Caution:

- To prevent a malfunction due to static electricity, do not use a dry cloth and do not touch the thermal head directly.

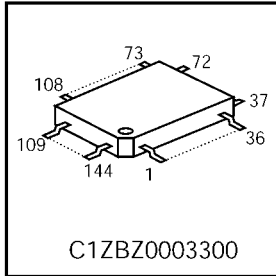
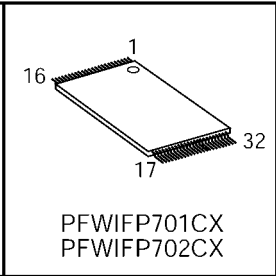
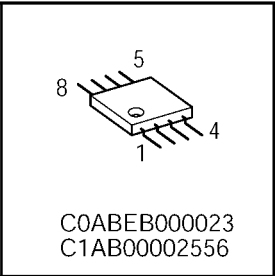
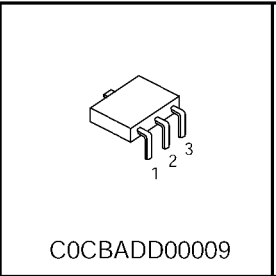
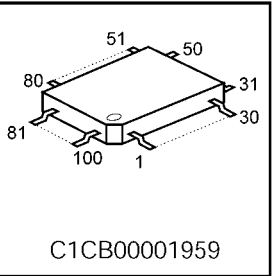
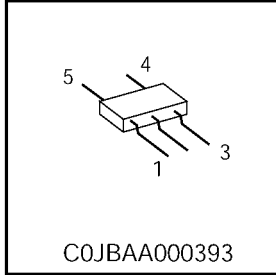
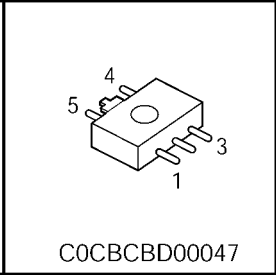
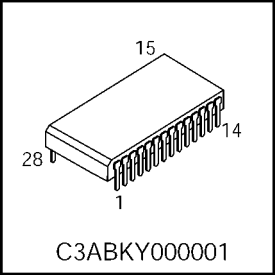
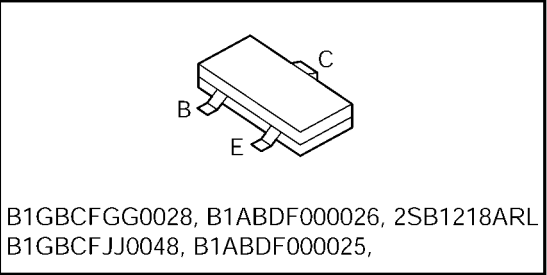


6. Re-install the ink film and close the covers
7. Insert the recording paper gently
8. Connect the power cord and the telephone line cord.

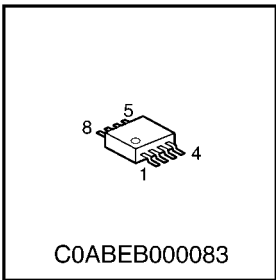
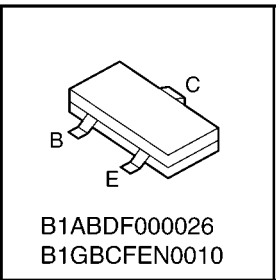
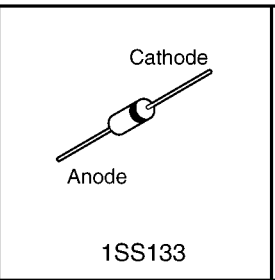
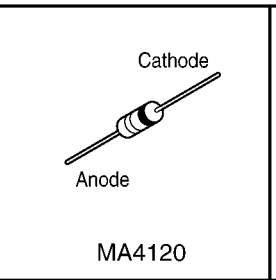
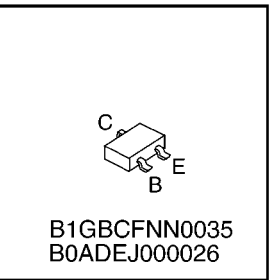
16 Miscellaneous

16.1. Terminal Guide of the ICs Transistors and Diodes

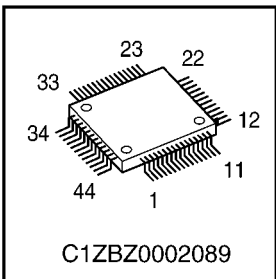
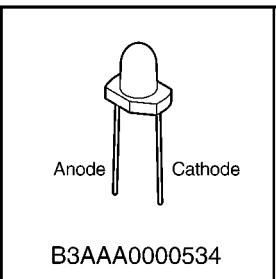
16.1.1. Digital Board

 <p>C1ZBZ0003300</p>	 <p>PFWIFP701CX PFWIFP702CX</p>	 <p>C0ABEB000023 C1AB00002556</p>	 <p>C0CBADD00009</p>	 <p>C1CB00001959</p>
 <p>C0JBAA000393</p>	 <p>C0CBCBD00047</p>	 <p>C3ABKY000001</p>	 <p>B1GBCFGG0028, B1ABDF000026, 2SB1218ARL B1GBCFJJ0048, B1ABDF000025,</p>	

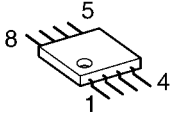
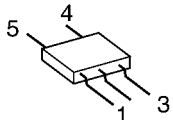
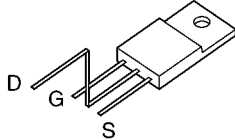
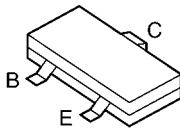
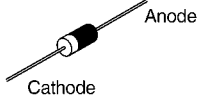
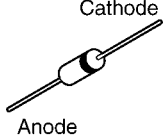
16.1.2. Analog Board

 <p>C0ABEB000083</p>	 <p>B1ABDF000026 B1GBCFEN0010</p>	 <p>Cathode Anode 1SS133</p>	 <p>Cathode Anode MA4120</p>	 <p>B1GBCFNN0035 B0ADEJ000026</p>
---	---	--	---	---

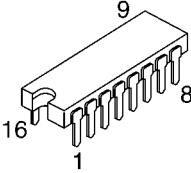
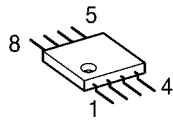
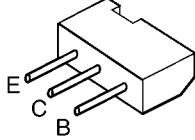
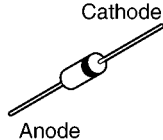
16.1.3. Operation Board

 <p>C1ZBZ0002089</p>	 <p>Anode Cathode B3AAA0000534</p>			
--	---	--	--	--

16.1.4. Power Supply Board

 <p>PFVIFA5518N</p>	 <p>TL431CDBVR</p>	 <p>2SK3561</p>	 <p>2SC3928</p>	 <p>PFVD1N4005 PFVDD1NL20U PR1005, HER503</p>
 <p>MA165, HZS6R2NB2</p>				

16.1.5. Interface Board

 <p>B1HAGFF00015</p>	 <p>B1CHRD000003</p>	 <p>2SB1322</p>	 <p>1SS133</p>	
--	--	---	---	--

16.2. How to Replace the Flat Package IC

Even if you do not have the special tools (for example, a spot heater) to remove the Flat IC, with some solder (large amount), a soldering iron and a cutter knife, you can easily remove the ICs that have more than 100 pins.

16.2.1. Preparation

- PbF (: Pb free) Solder

- Soldering Iron

Tip Temperature of 700°F ± 20°F (370°C ± 10°C)

Note: We recommend a 30 to 40 Watt soldering iron. An expert may be able to use a 60 to 80 Watt iron where someone with less experience could overheat and damage the PCB foil.

- Flux

Recommended Flux: Specific Gravity → 0.82.

Type → RMA (lower residue, non-cleaning type)

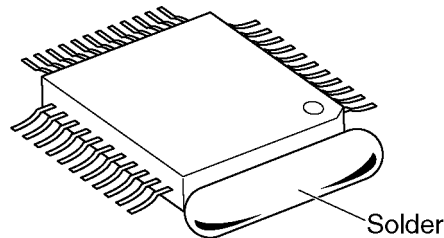
Note: See 2.1.About Lead Free Solder (PbF: Pb free) (P.6).

16.2.2. Flat Package IC Removal Procedure

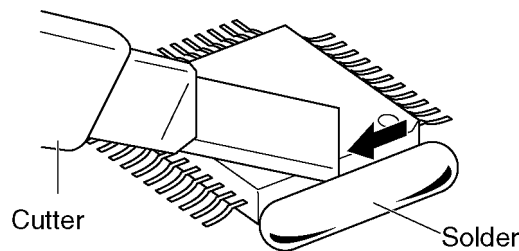
1. Put plenty of solder on the IC pins so that the pins can be completely covered.

Note:

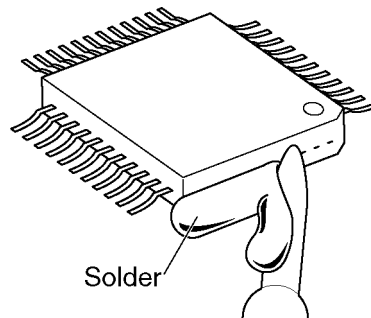
If the IC pins are not soldered enough, you may give pressure to the P.C. board when cutting the pins with a cutter.



2. Make a few cuts into the joint (between the IC and its pins) first and then cut off the pins thoroughly.



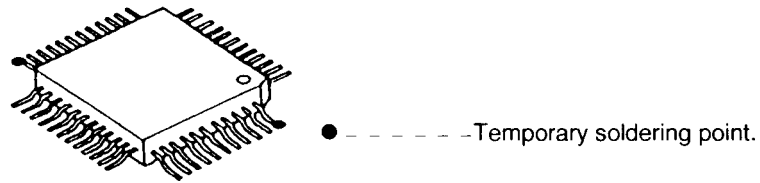
3. While the solder melts, remove it together with the IC pins.



When you attach a new IC to the board, remove all solder left on the land with some tools like a soldering wire. If some solder is left at the joint on the board, the new IC will not be attached properly.

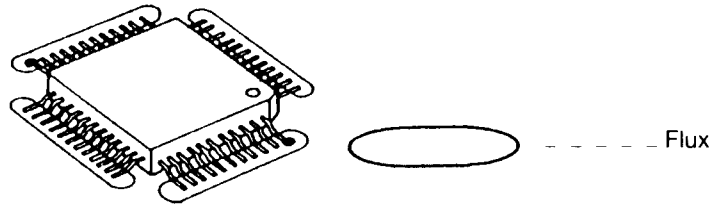
16.2.3. Flat Package IC Installation Procedure

1. Temporarily fix the FLAT PACKAGE IC, soldering the two marked pins.

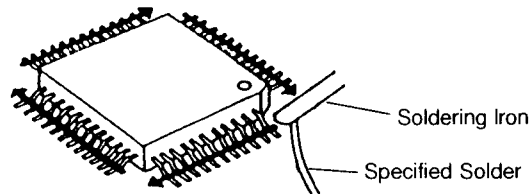


*Check the accuracy of the IC setting with the corresponding soldering foil.

2. Apply flux to all pins of the FLAT PACKAGE IC.

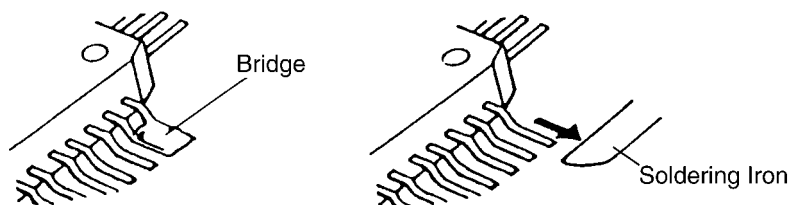


3. Solder the pins, sliding the soldering iron in the direction of the arrow.



16.2.4. Bridge Modification Procedure

1. Lightly resolder the bridged portion.
2. Remove the remaining solder along the pins using a soldering iron as shown in the figure below.



16.3. Test Chart

16.3.1. ITU-T No.1 Test chart



THE SLEREXE COMPANY LIMITED

SAPORS LANE - BOOLE - DORSET - BH 25 8 ER

TELEPHONE BOOLE (945 13) 51617 - TELEX 123456

Our Ref. 350/PJC/EAC

18th January, 1972.

Dr. P.N. Cundall,
Mining Surveys Ltd.,
Holroyd Road,
Reading,
Berks.

Dear Pete,

Permit me to introduce you to the facility of facsimile transmission.

In facsimile a photocell is caused to perform a raster scan over the subject copy. The variations of print density on the document cause the photocell to generate an analogous electrical video signal. This signal is used to modulate a carrier, which is transmitted to a remote destination over a radio or cable communications link.

At the remote terminal, demodulation reconstructs the video signal, which is used to modulate the density of print produced by a printing device. This device is scanning in a raster scan synchronised with that at the transmitting terminal. As a result, a facsimile copy of the subject document is produced.

Probably you have uses for this facility in your organisation.

Yours sincerely,

Phil.

P.J. CROSS
Group Leader - Facsimile Research

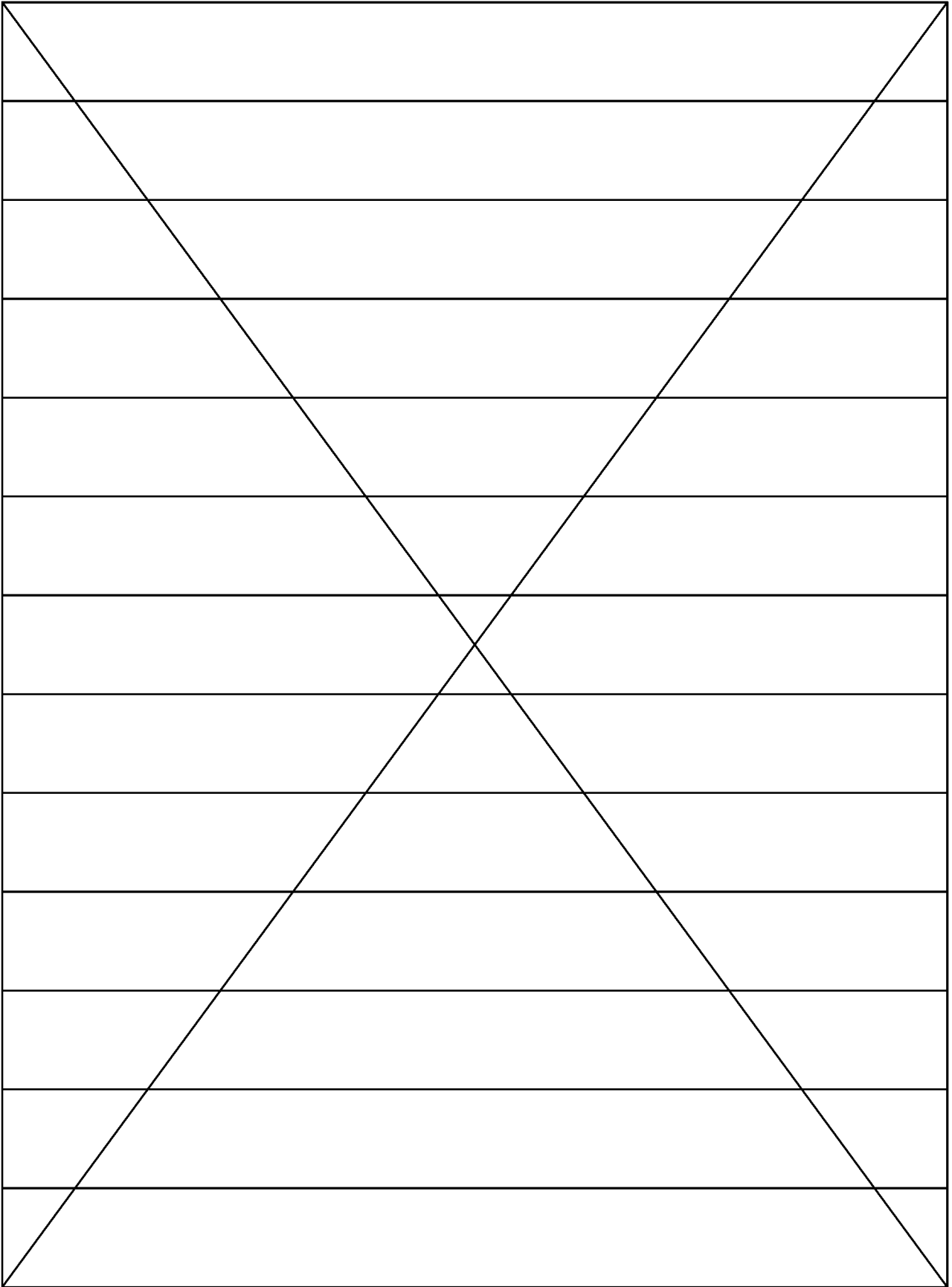
16.3.2. ITU-T No.2 Test Chart

CCITT N° 2 : Mire pour test de Transmission

OS2DR OSZDR KWJ4H KWJ4H S5TR7 S5TR7 QS2DR KWJ4H S5TR7 BC6IT ZP3FM XB8UG BC6IT BC6IT ZP3FM ZP3FM XB8UG XB8UG

<p>Transmission Test Group n° I Character UNIVERS SIZE 8 ABCDEFGHIJKLMNOPQRSTUVWXYZ abcdefghijklmnopqrstuvwxyz 0123456789 S²3 œ ♦ [] Ç □ . £ - ± × : ° © ● β _ é + = \$ / () & % *</p> <p>Transmission Test Group n° II Character UNIVERS SIZE 10 Groupe n° I pour test de transmission caractères UNIVERS 8 POINTS ABCDEFGHIJKLMNOPQRSTUVWXYZ abcdefghijklmnopqrstuvwxyz 0123456789 S²3 œ ♦ [] Ç □ . £ - ± × : ° © ● β _ é + = \$ / () & % *</p> <p>Groupe n° II pour test de transmission caractères UNIVERS 10 POINTS</p> <p>Grupo n° I para prueba de transmisión de los caracteres UNIVERS 8 PUNTOS ABCDEFGHIJKLMNOPQRSTUVWXYZ abcdefghijklmnopqrstuvwxyz 0123456789 S²3 œ ♦ [] Ç □ . £ - ± × : ° © ● β _ é + = \$ / () & % *</p> <p>Grupo n° II para prueba de transmisión de los caracteres UNIVERS 10 PUNTOS</p> <p>傳輸試驗用字第一組 13.75P 万有引力 科学方法 男女体操 文化交流 地理条件 家庭用品 共同研究 相互往来 新春景色 主要内容 世界各国 普通教育</p> <p>المجموعة الثانية خط الرقعة آء ا ا ب ا ب ج ج ح ح ط ظ ع غ ف ق ك ل م ن ه ي ي ب ت ج ح خ س ش ص ض ع ف ق ك ل م ن ه ي ي لا لا 9 8 7 6 5 4 3 2 1 0 2 = < > ± / +</p> <p>ГРУППА № 1-ДЛЯ ИСПЫТАНИЯ ПЕРЕДАЧИ БУКВА КЕГЛЬ 8 АБВГДЕЖЗИЙКЛМНОПРСТУФХЦЧШЩЪЫЬЮЯ абвгдежзийклмнопрстуфхцчшщъыьёюя 1234567890</p> <p>ГРУППА № 2-ДЛЯ ИСПЫТАНИЯ ПЕРЕДАЧИ БУКВА КЕГЛЬ 10</p>	<p>Transmission Test Group n° III Character ENGLISH-TIMES SIZE 8 ABCDEFGHIJKLMNOPQRSTUVWXYZ abcdefghijklmnopqrstuvwxyz 0123456789 S²3 œ ♦ [] Ç □ . £ - ± × : ° © ● β _ é + = \$ / () & % *</p> <p>Transmission Test Group n° IV Character ENGLISH-TIMES SIZE 10 Groupe n° III pour test de transmission composé de caractères ENGLISH-TIMES 8 POINTS ABCDEFGHIJKLMNOPQRSTUVWXYZ abcdefghijklmnopqrstuvwxyz 0123456789 S²3 œ ♦ [] Ç □ . £ - ± × : ° © ● β _ é + = \$ / () & % *</p> <p>Groupe n° IV pour test de transmission composé de caractères ENGLISH-TIMES 10 POINTS</p> <p>Grupo n° III para prueba de transmisión de los caracteres ENGLISH-TIMES 8 PUNTOS ABCDEFGHIJKLMNOPQRSTUVWXYZ abcdefghijklmnopqrstuvwxyz 0123456789 S²3 œ ♦ [] Ç □ . £ - ± × : ° © ● β _ é + = \$ / () & % *</p> <p>Grupo n° IV para prueba de transmisión de los caracteres ENGLISH-TIMES 10 PUNTOS</p> <p>傳輸試驗用字第三組 7.875P 万有引力 科学方法 男女体操 文化交流 地理条件 家庭用品 共同研究 相互往来 新春景色 主要内容 世界各国 普通教育</p> <p>المجموعة الأولى خط النسخ آء ا ا ب ا ب ج ج ح ح ط ظ ع غ ف ق ك ل م ن ه ي ي ب ت ج ح خ س ش ص ض ع ف ق ك ل م ن ه ي ي لا لا × % [] () « » ! « = « » « » « »</p> <p>ГРУППА № 3-ДЛЯ ИСПЫТАНИЯ ПЕРЕДАЧИ БУКВА КЕГЛЬ 8 АБВГДЕЖЗИЙКЛМНОПРСТУФХЦЧШЩЪЫЬЮЯ абвгдежзийклмнопрстуфхцчшщъыьёюя 1234567890</p> <p>ГРУППА № 4-ДЛЯ ИСПЫТАНИЯ ПЕРЕДАЧИ БУКВА КЕГЛЬ 10</p>
---	---

16.3.3. Test Chart



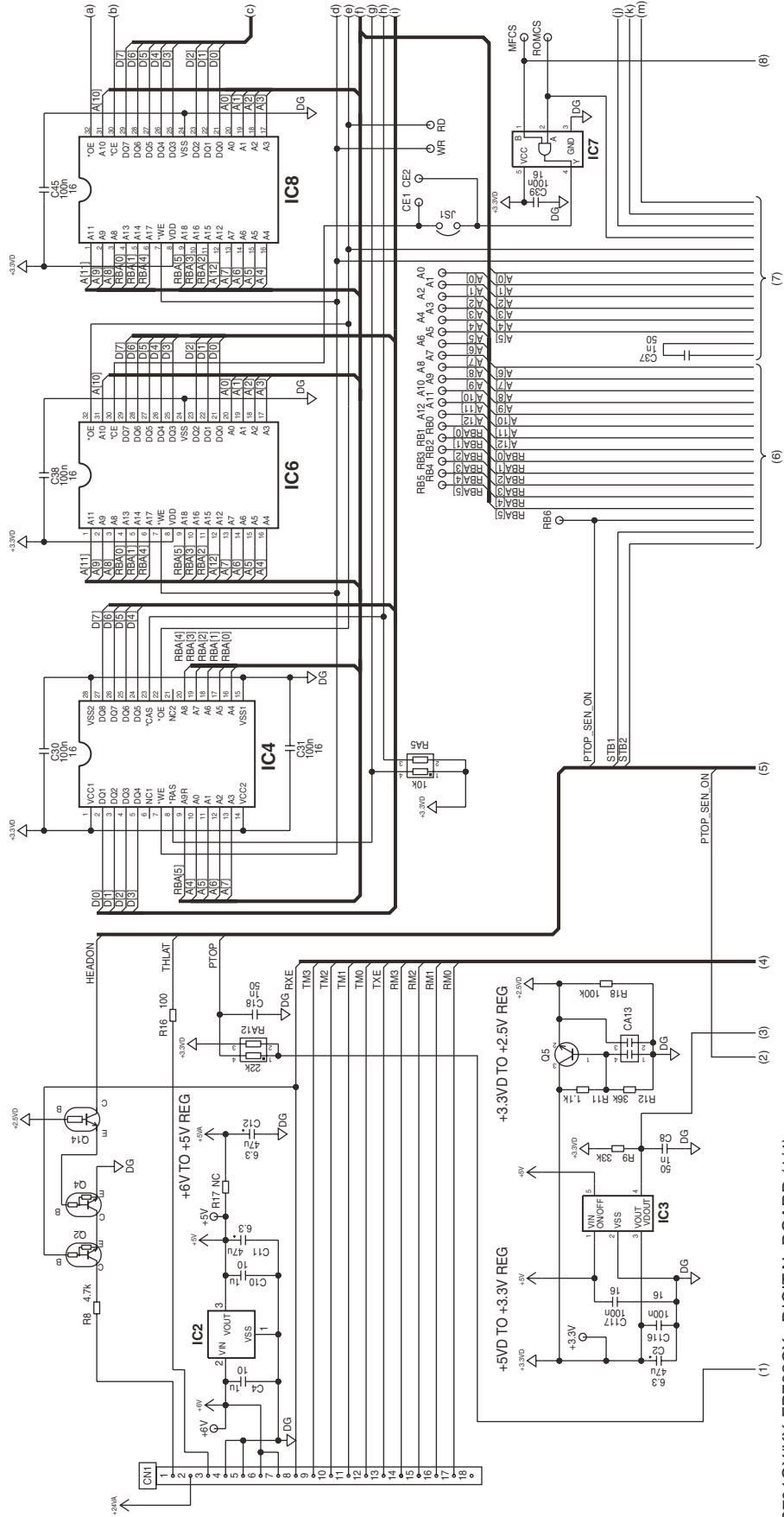
MEMO:

17 Schematic Diagram

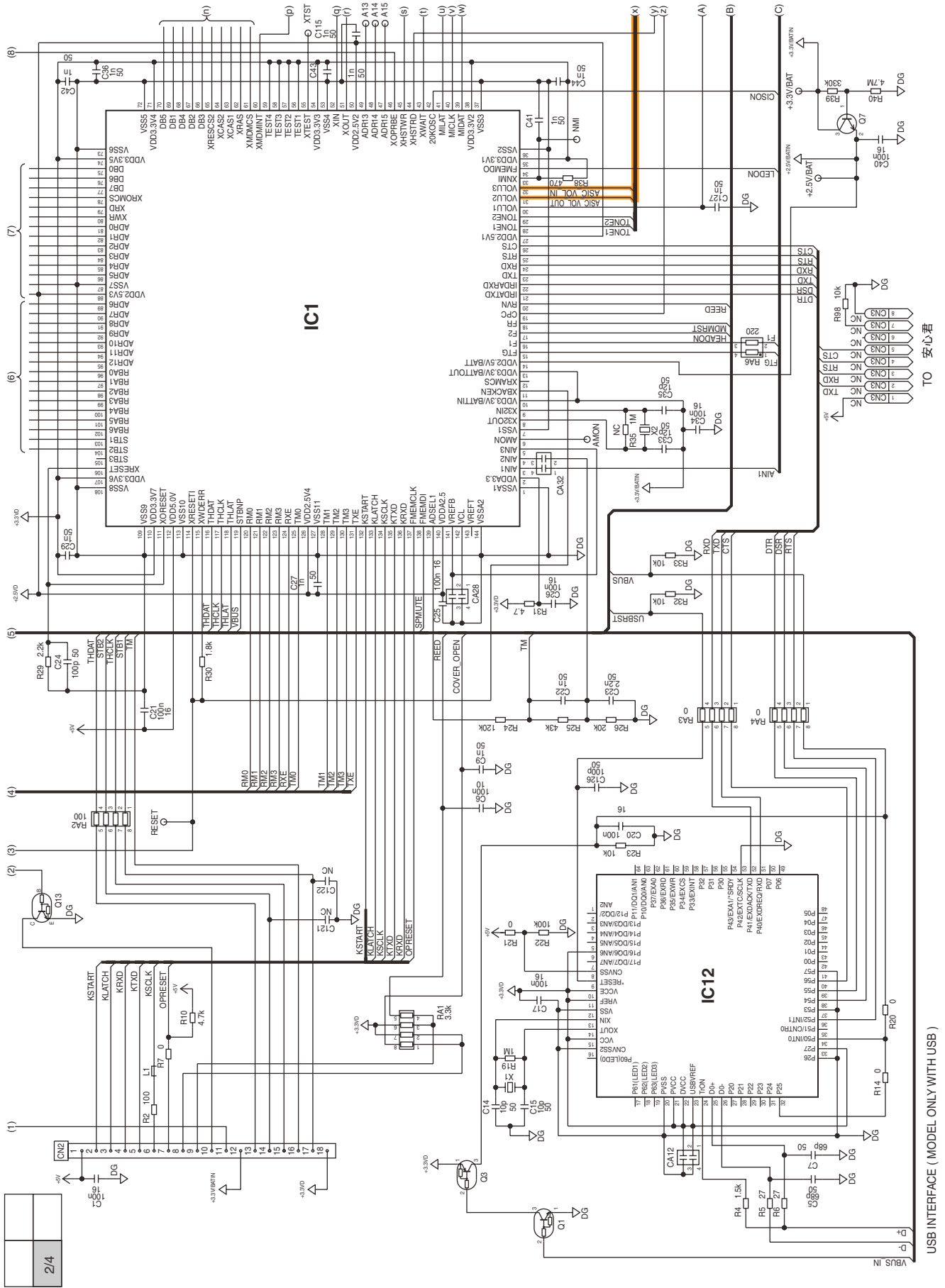
17.1. Digital Board (PCB1)

1/4	
-----	--

— HS TX
— HS RX
— FAX TX
- - - FAX RX



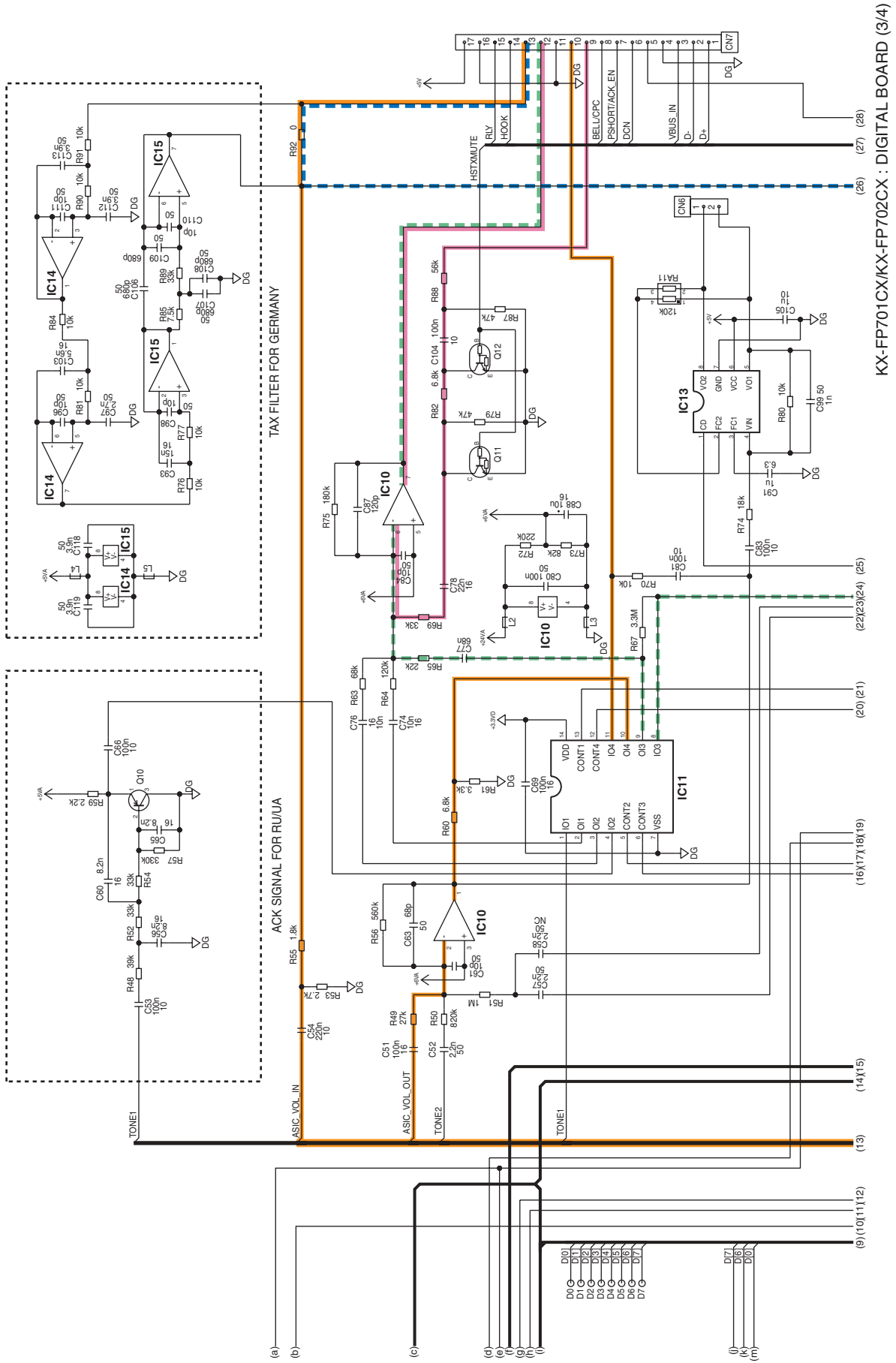
KX-FP701CX/KX-FP702CX : DIGITAL BOARD (1/4)



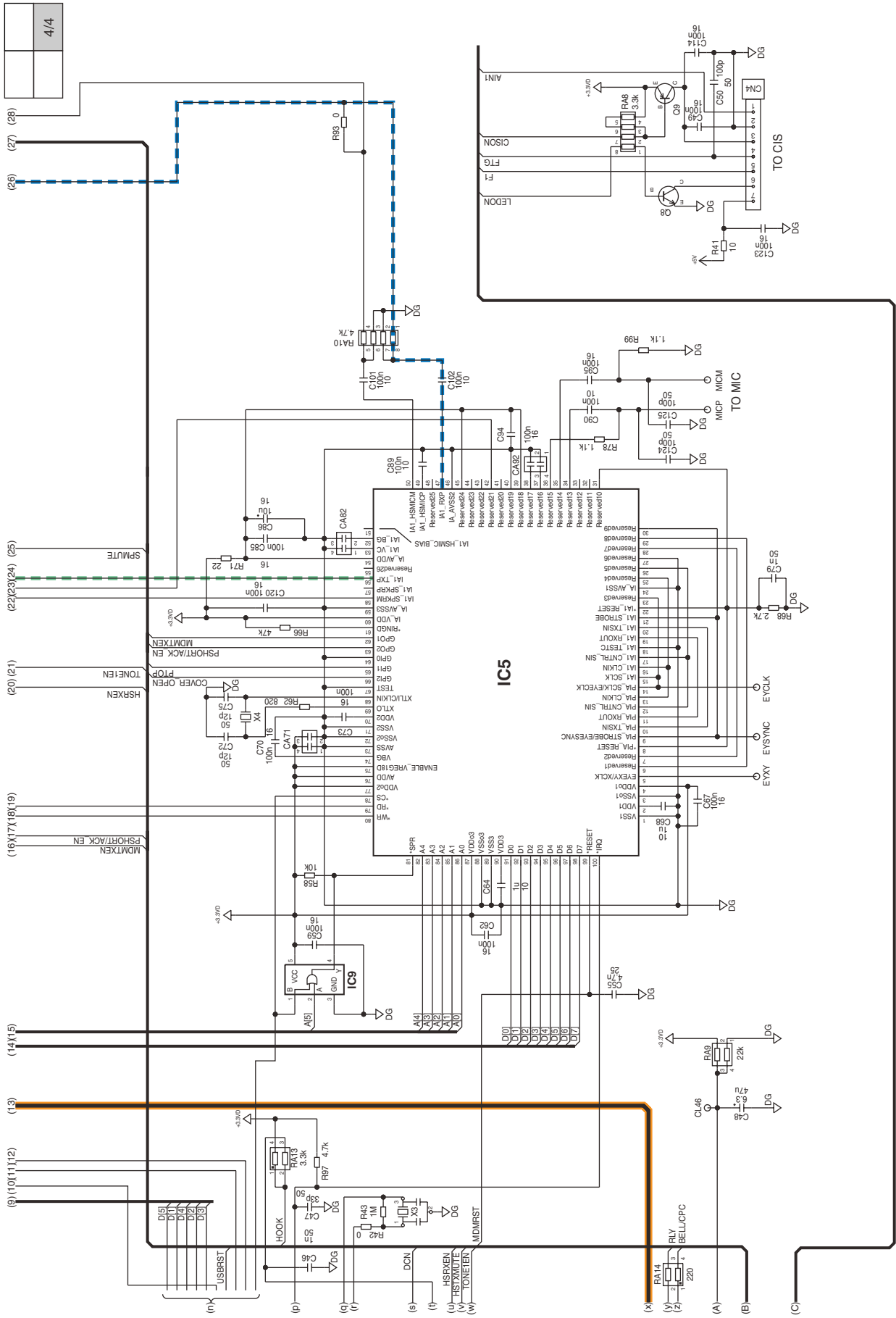
USB INTERFACE (MODEL ONLY WITH USB)

KX-FP701CX/KX-FP702CX : DIGITAL BOARD (2/4)

3/4	
-----	--



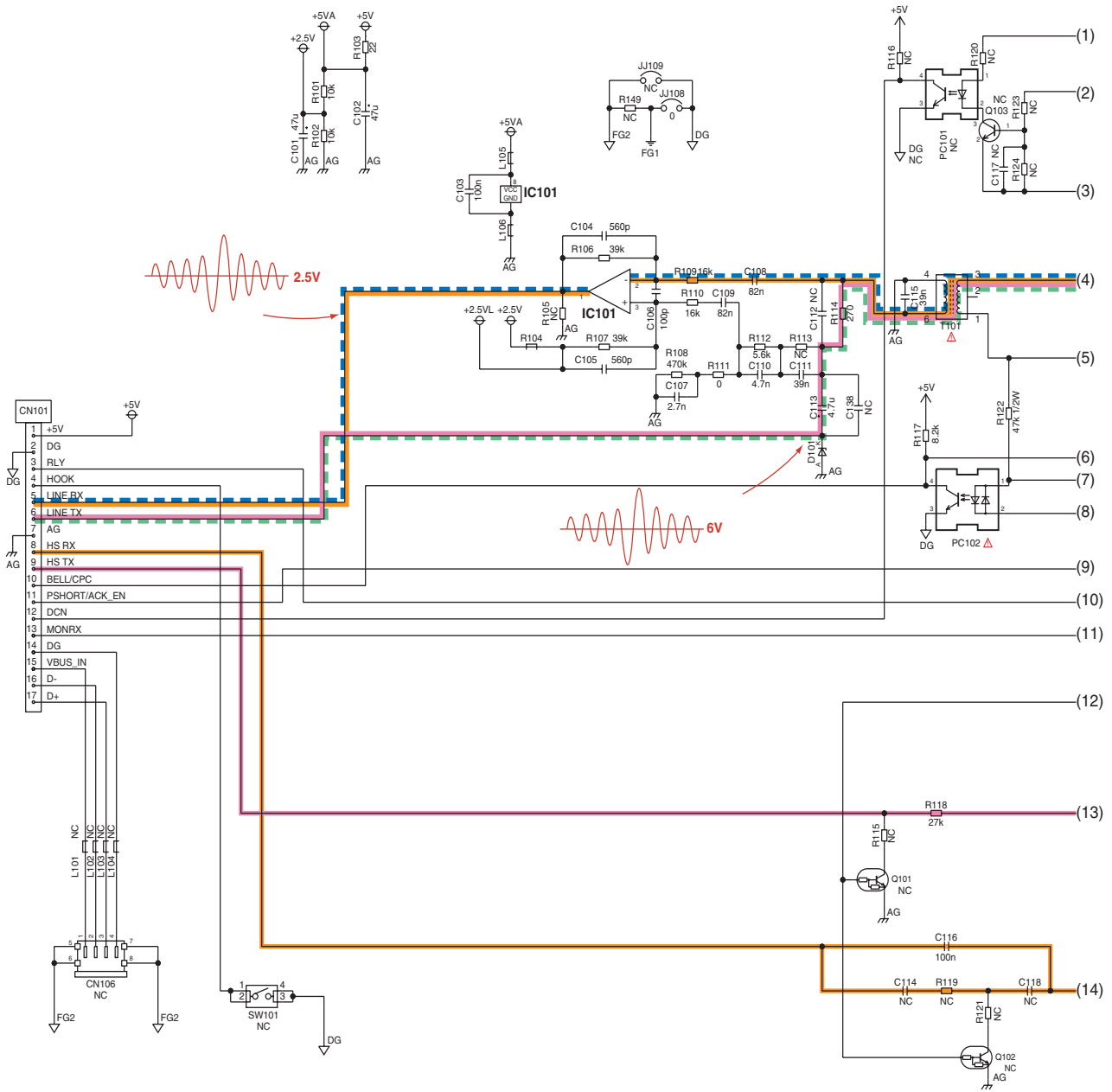
KX-FP701CX/KX-FP702CX : DIGITAL BOARD (3/4)

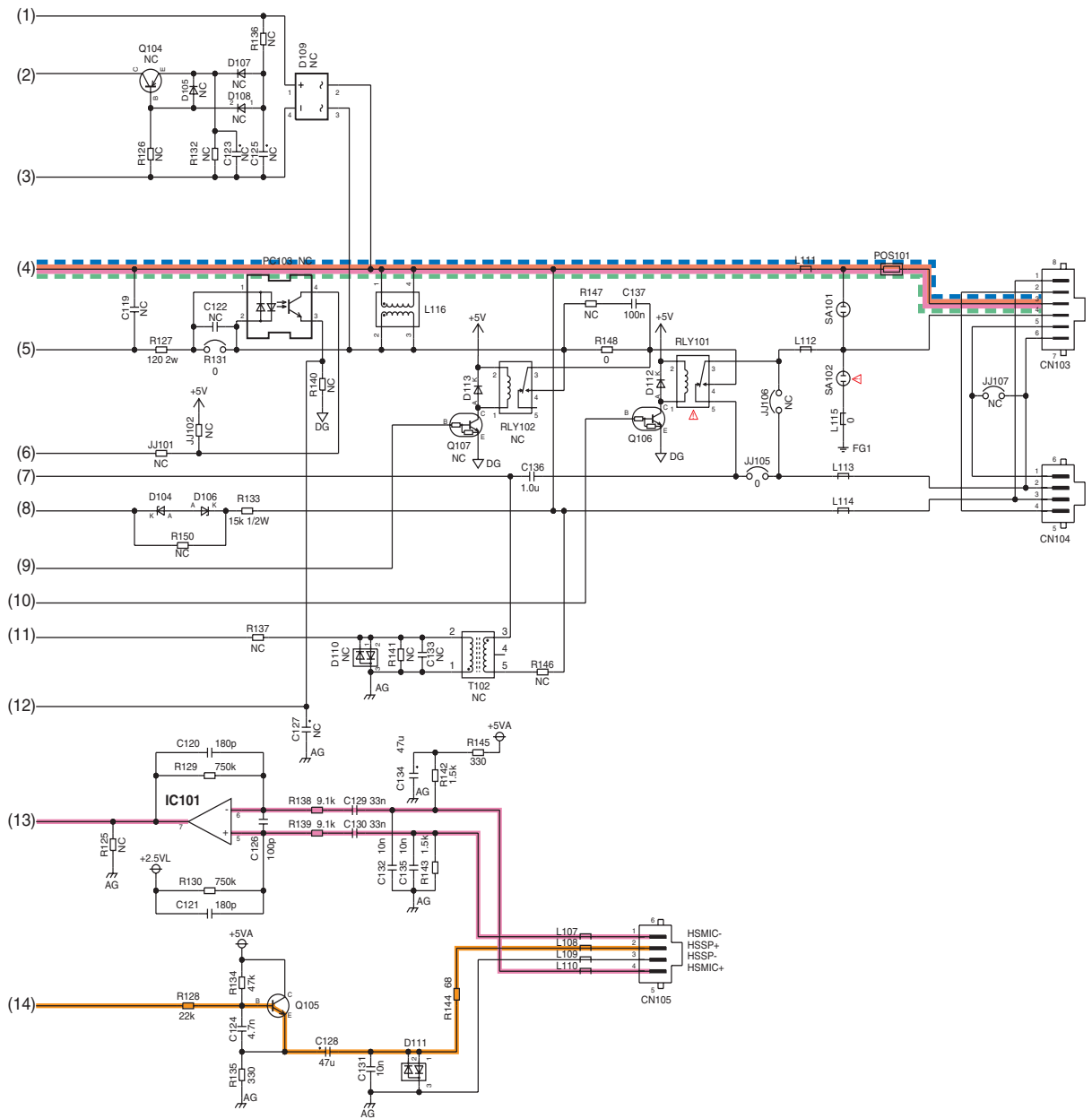


KX-FP701CX/KX-FP702CX : DIGITAL BOARD (4/4)

17.2. Analog Board (PCB2)

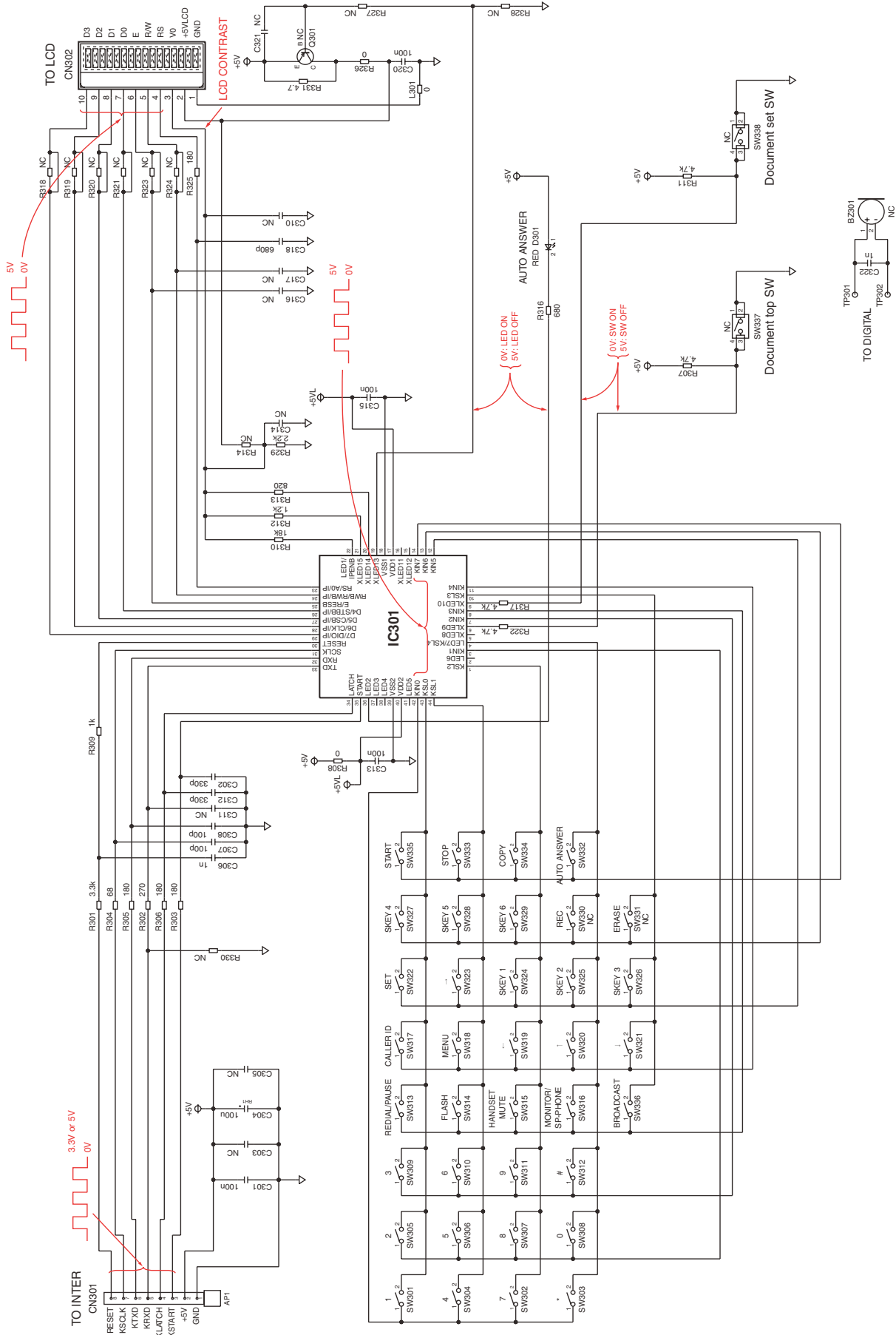
— HS TX - - - FAX TX
— HS RX - - - FAX RX





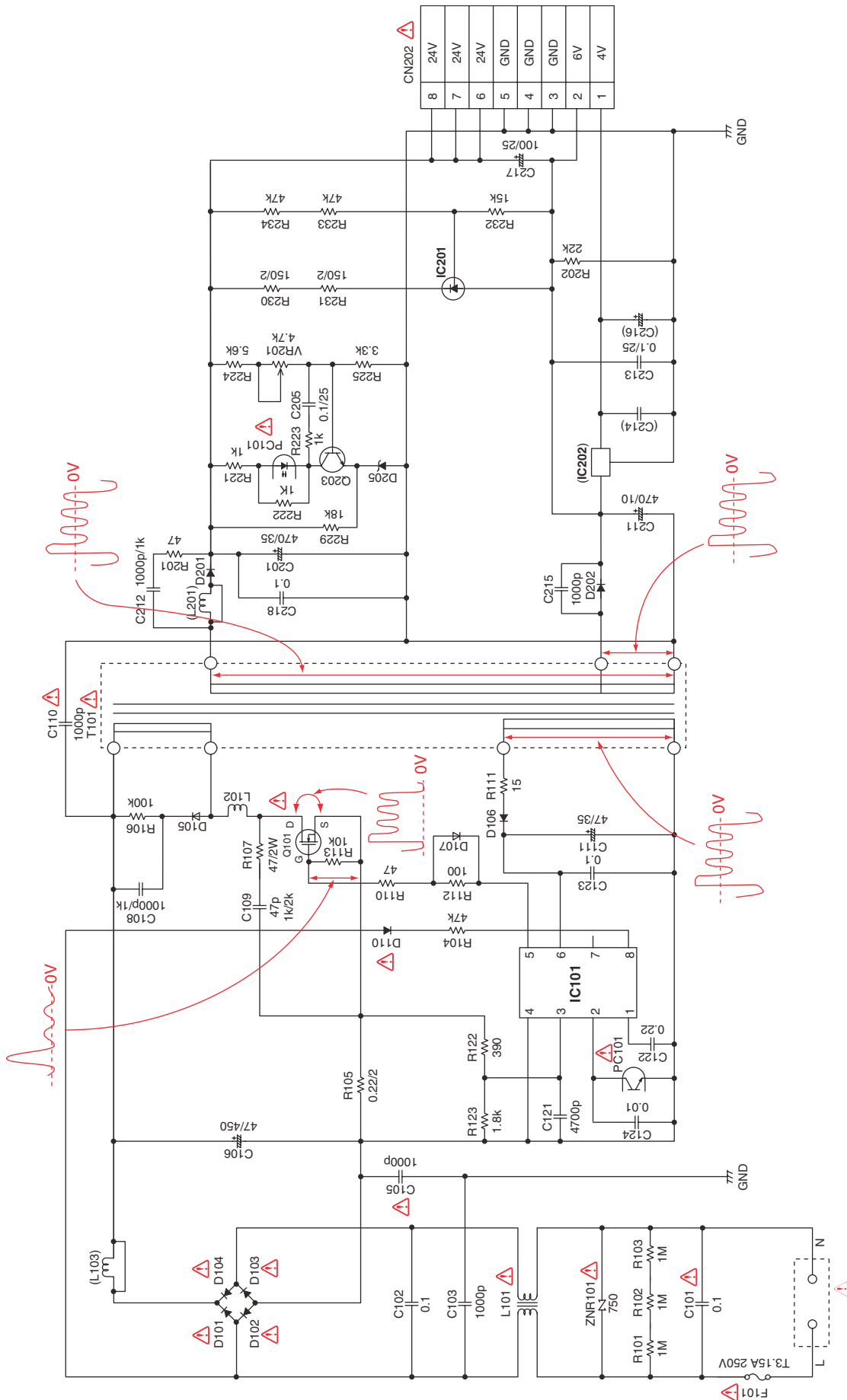
KX-FP701CX/KX-FP702CX : ANALOG BOARD

17.3. Operation Board (PCB3)



KX-FP701CX/KX-FP702CX : OPERATION BOARD

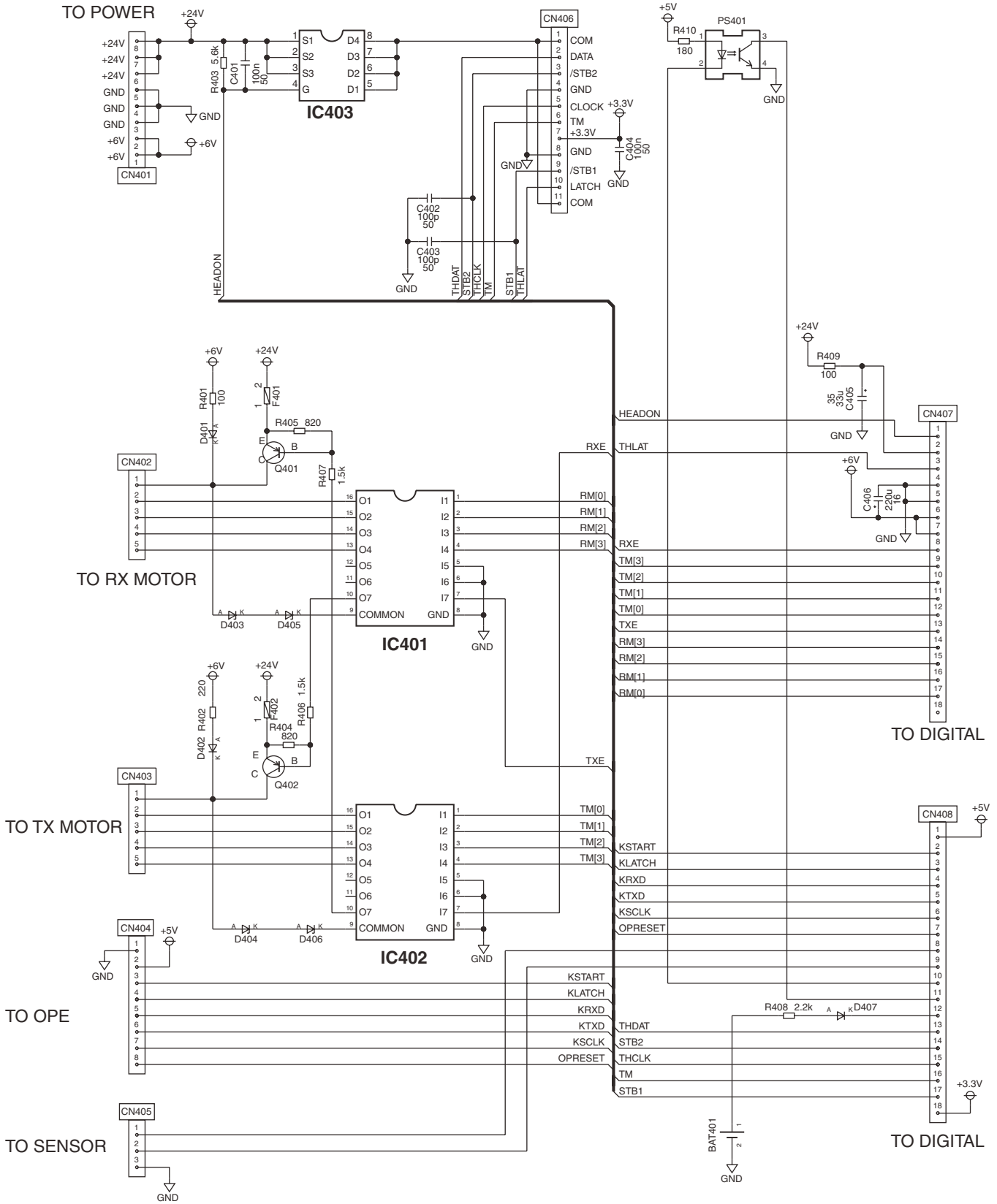
17.4. Power Supply Board (PCB4)



KX-FP701CX/KX-FP702CX : POWER SUPPLY BOARD

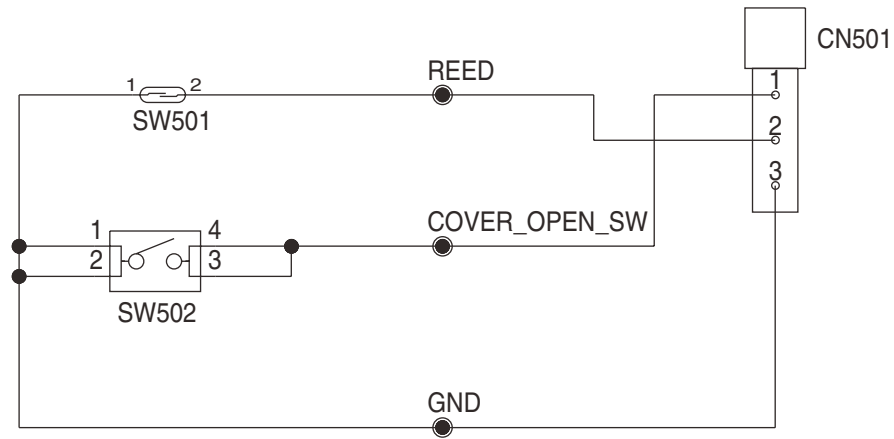
17.5. Interface Board (PCB5)

TO THERMAL HEAD



KX-FP701CX/KX-FP702CX : INTERFACE BOARD

17.6. Sensor Board (PCB6)



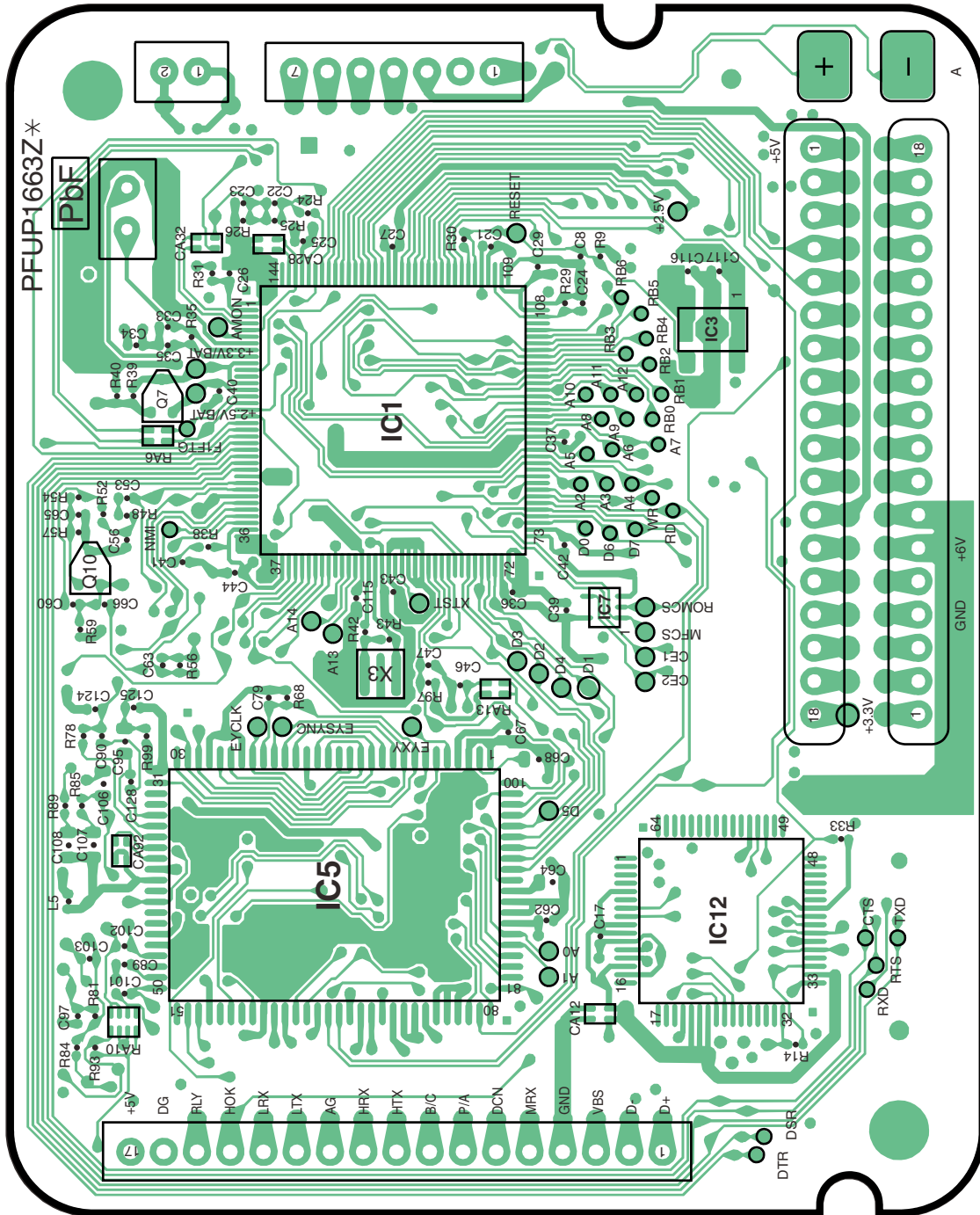
KX-FP701CX/KX-FP702CX : SENSOR BOARD

MEMO:

18 Printed Circuit Board

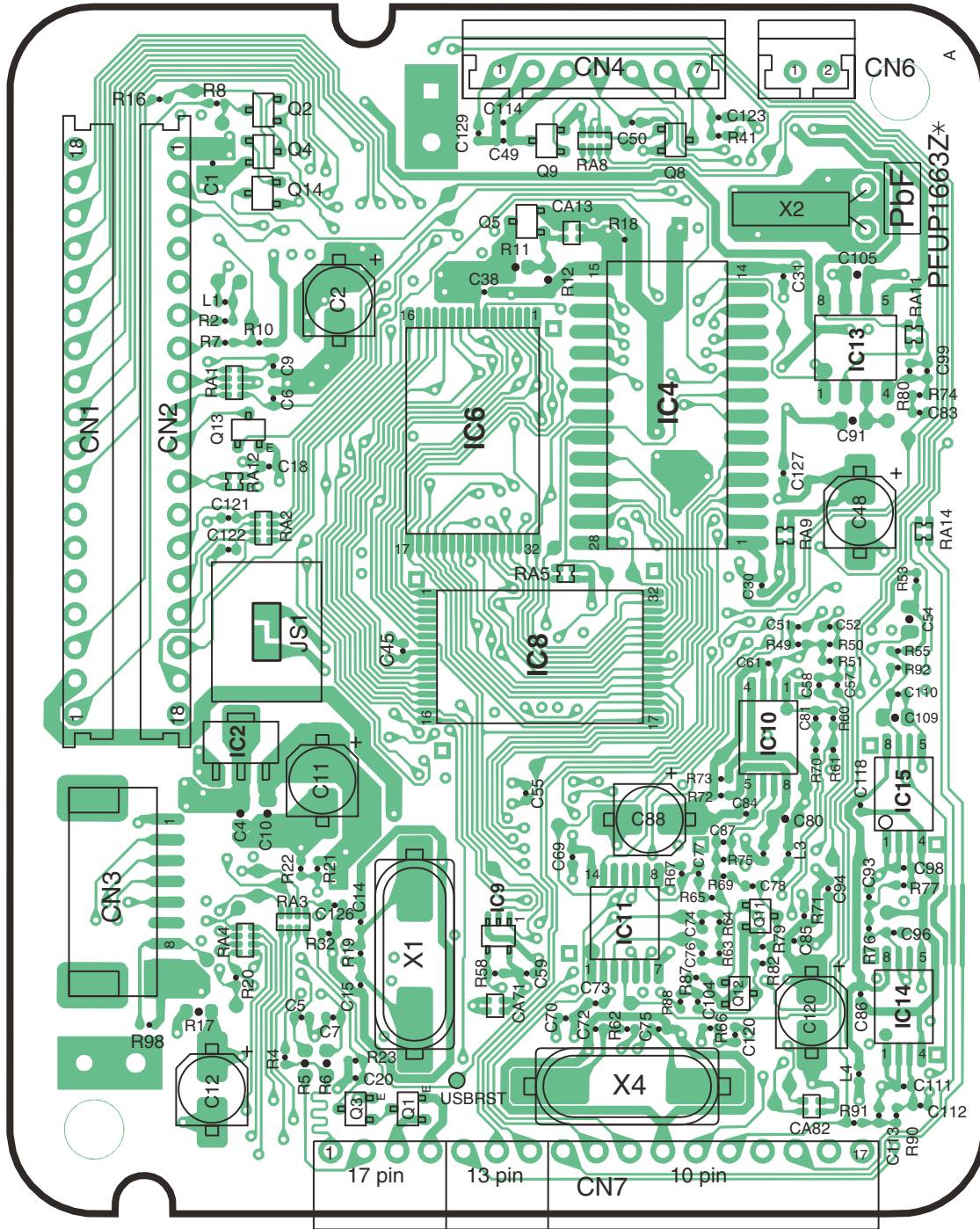
18.1. Digital Board (PCB1)

18.1.1. Bottom View



KX-FP701CX/KX-FP702CX : DIGITAL BOARD Bottom View

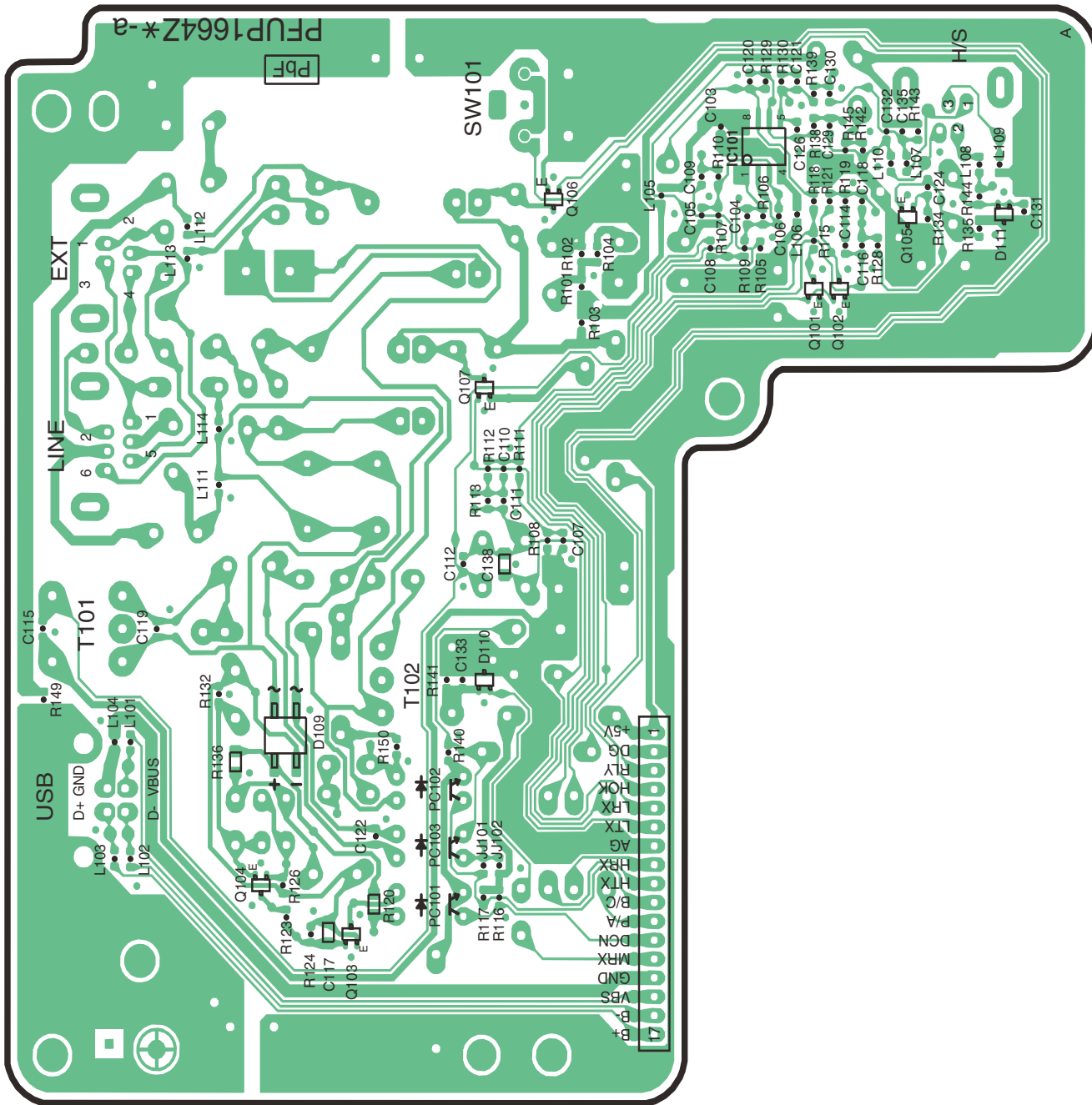
18.1.2. Component View



KX-FP701CX/KX-FP702CX: DIGITAL BOARD (Component View)

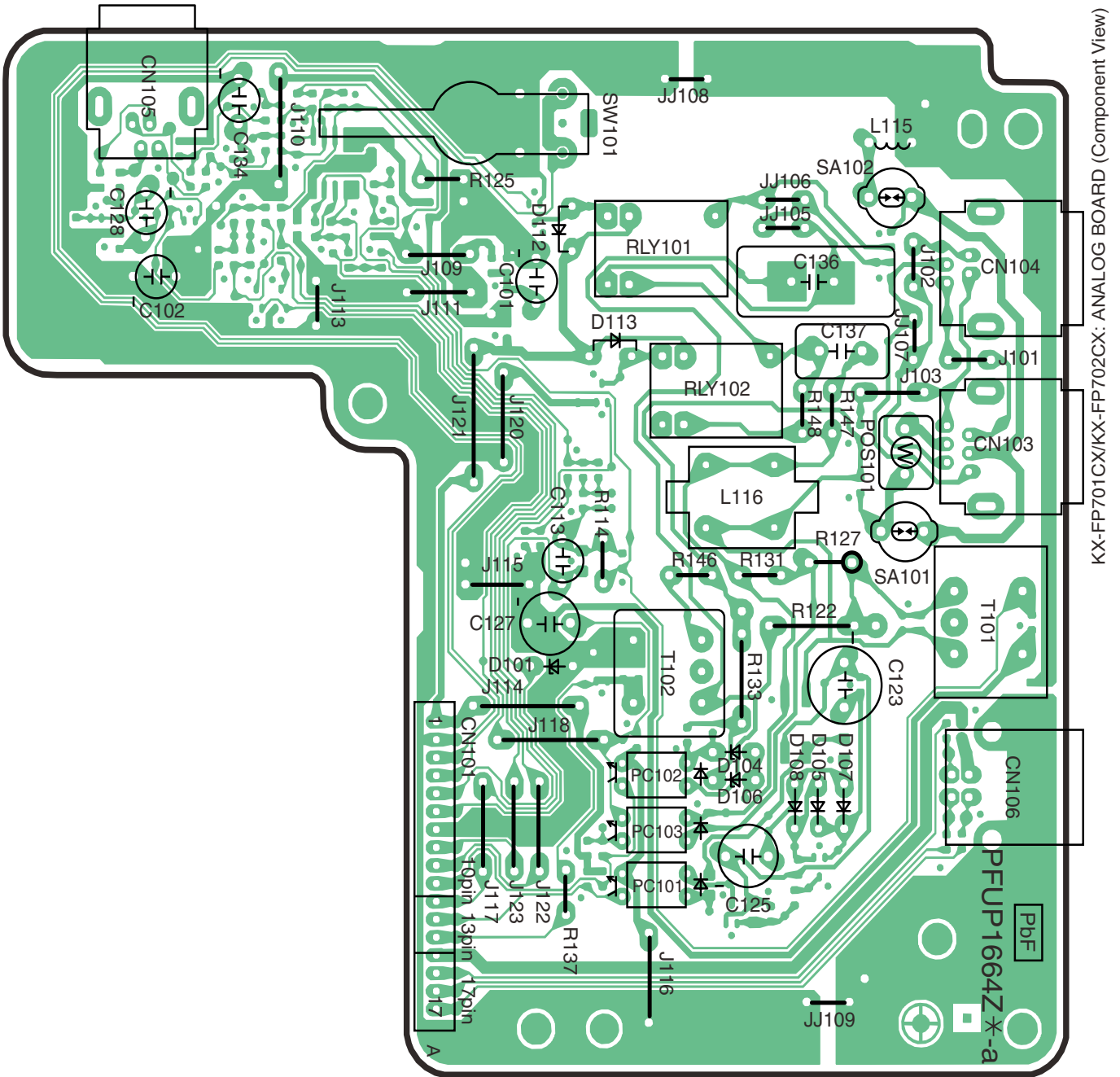
18.2. Analog Board (PCB2)

18.2.1. Bottom View



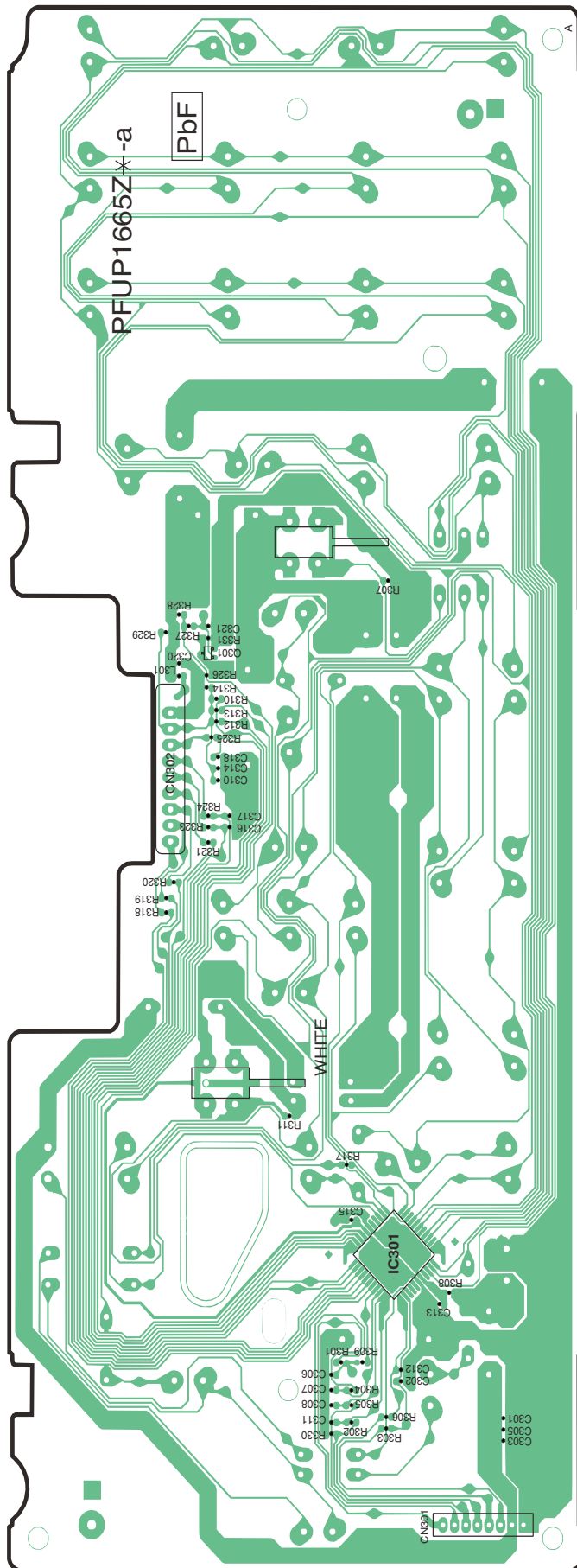
KX-FP701CX/KX-FP702CX: ANALOG BOARD (Bottom View)

18.2.2. Component View



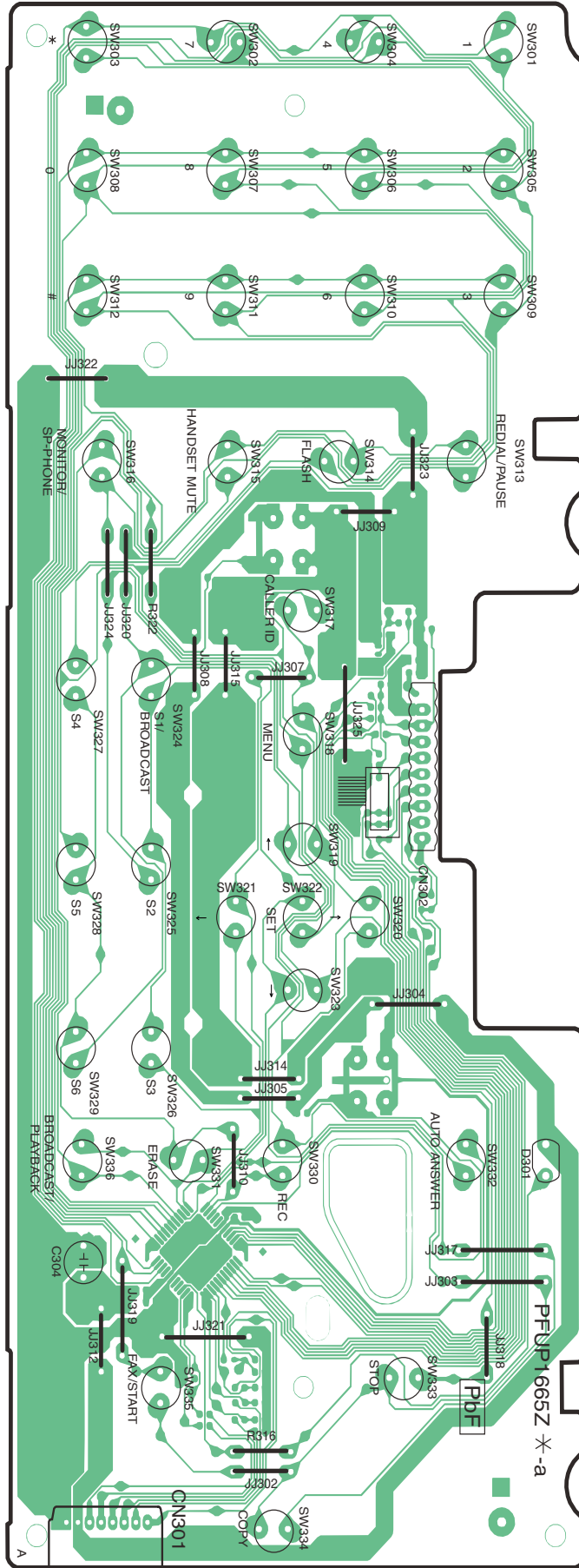
18.3. Operation Board (PCB3)

18.3.1. Bottom View



KX-FP701CX/KX-FP702CX: OPERATION BOARD (Bottom View)

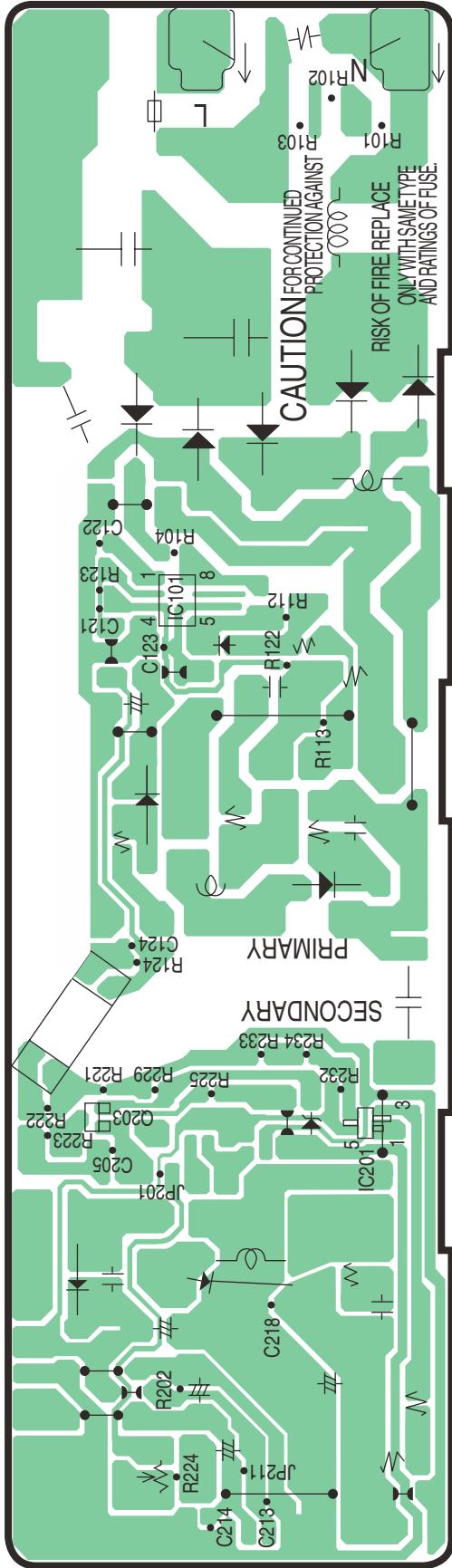
18.3.2. Component View



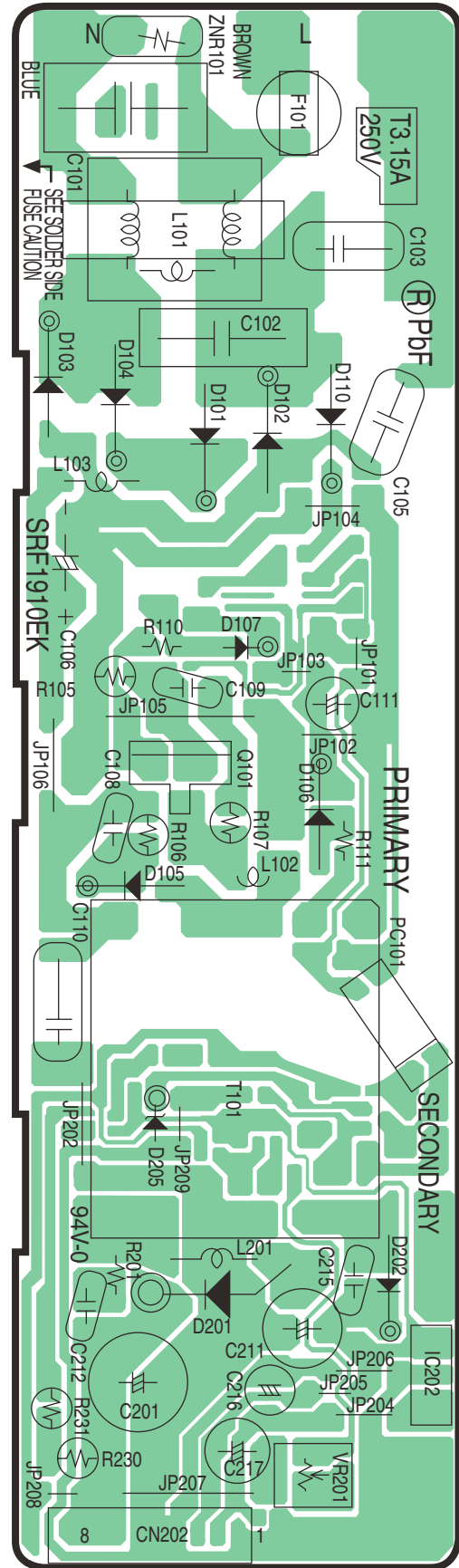
KX-FP701CX/KX-FP702CX: OPERATION BOARD (Component View)

18.4. Power Supply Board (PCB4)

(Bottom View)



(Component View)

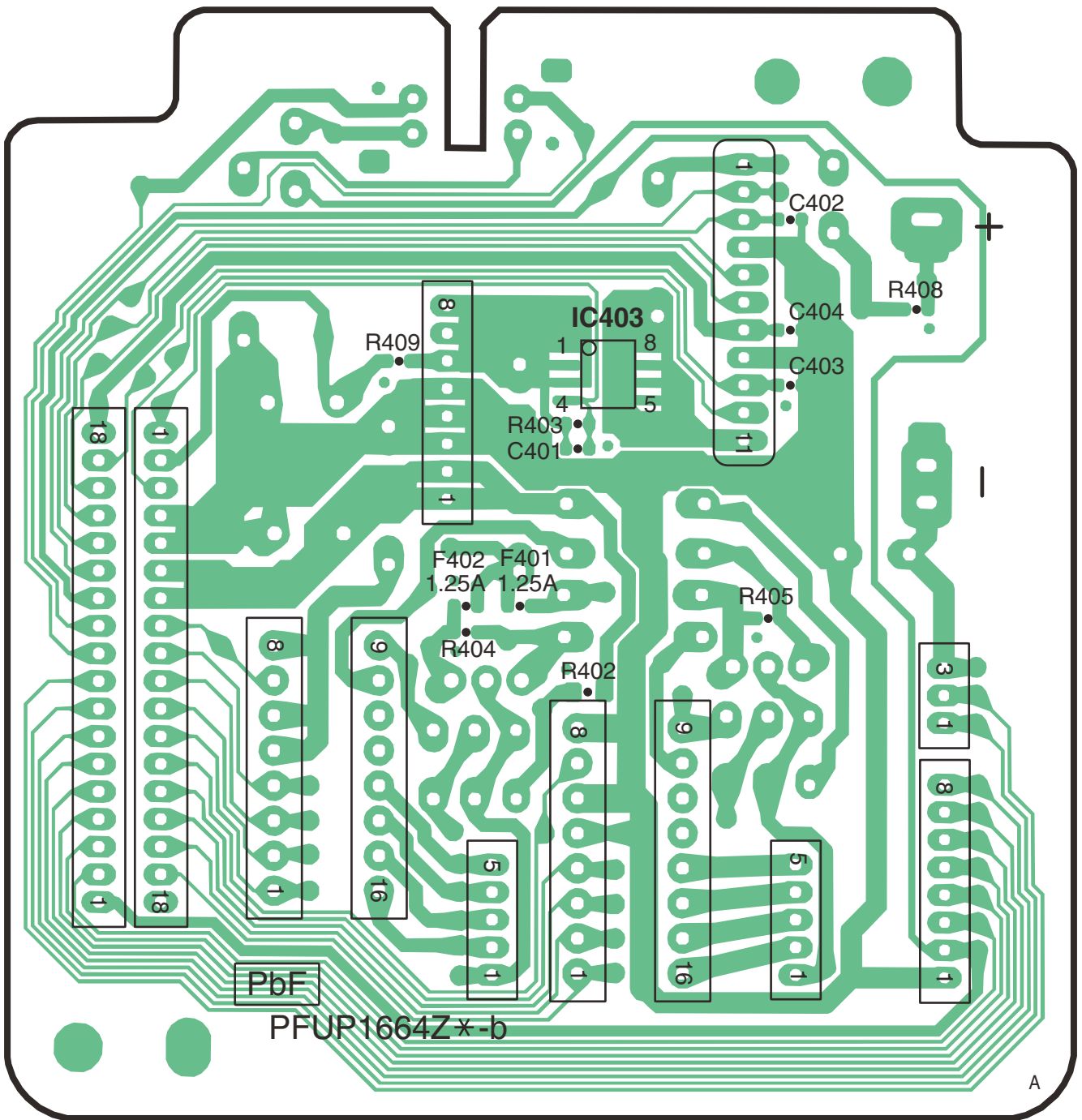


KX-FP701CX/KX-FP702CX: Power Supply Board

MEMO:

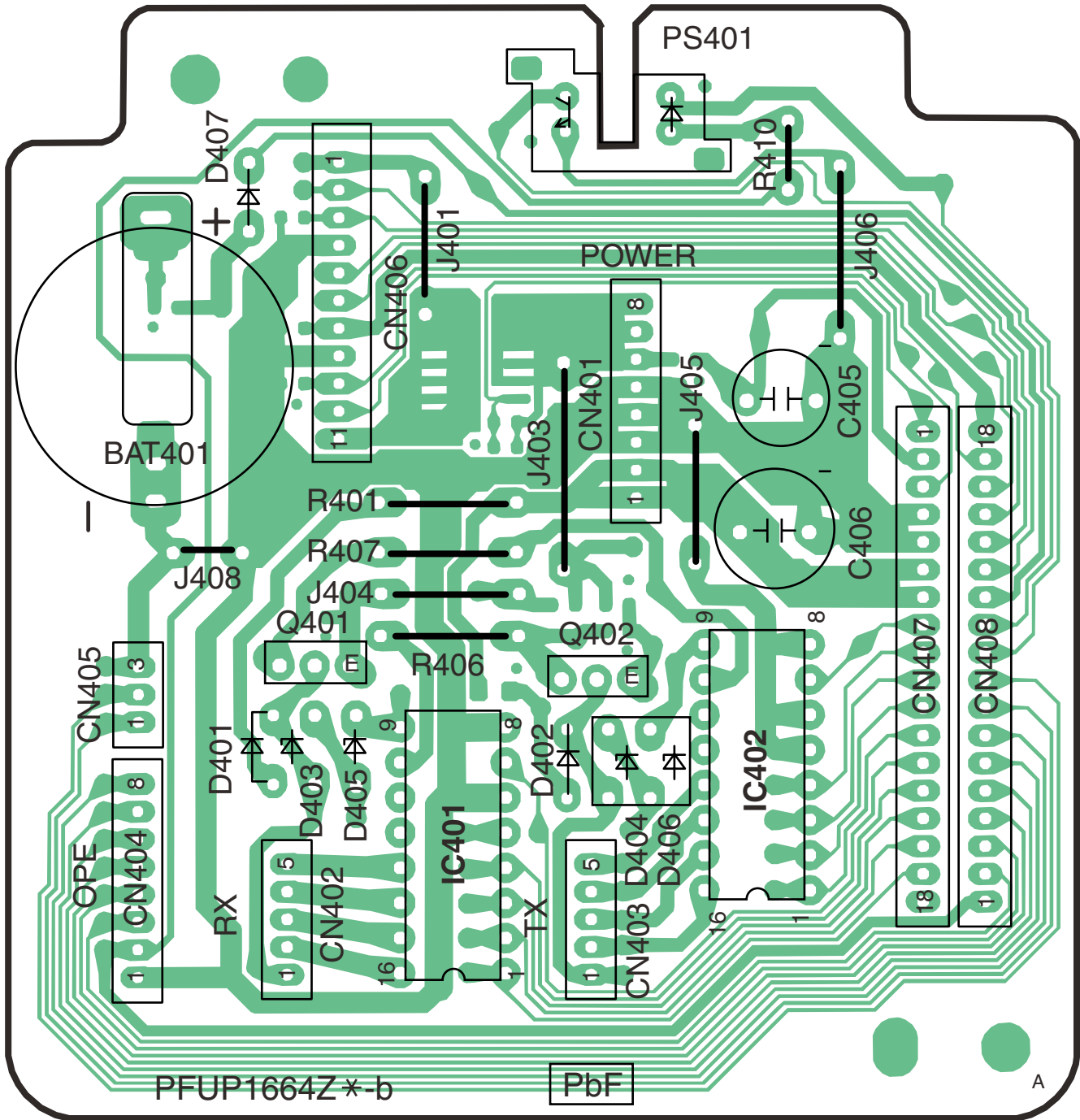
18.5. Interface Board (PCB5)

18.5.1. Bottom View



KX-FP701CX/KX-FP702CX: INTERFACE BOARD (Bottom View)

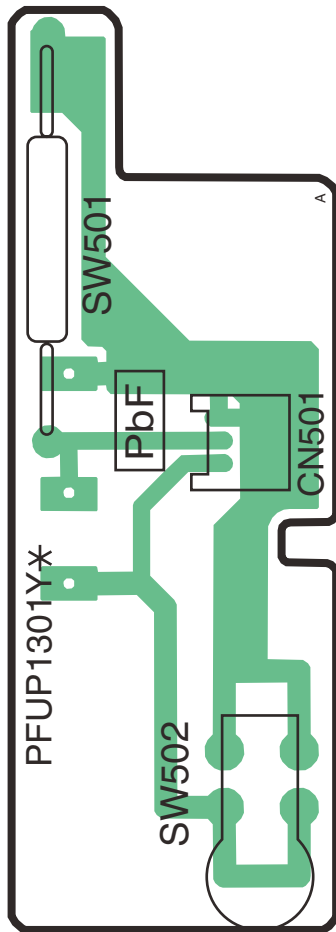
18.5.2. Component View



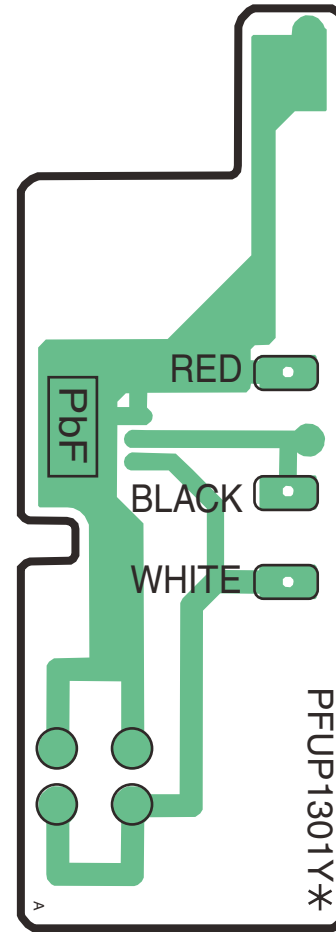
KX-FP701CX/KX-FP702CX: INTERFACE BOARD (Component View)

18.6. Sensor Board (PCB6)

(Bottom View)



(Component View)

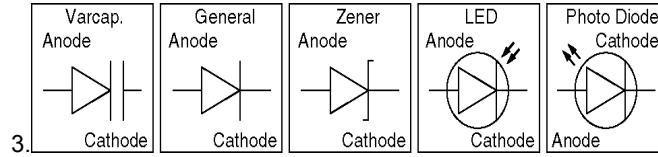


KX-FP701CX/KX-FP702CX: SENSOR BOARD

19 Appendix Information of Schematic Diagram

Note:

1. DC voltage measurements are taken with an oscilloscope or a tester with a ground.
2. The schematic diagrams and circuit board may be modified at any time with the development of new technology.



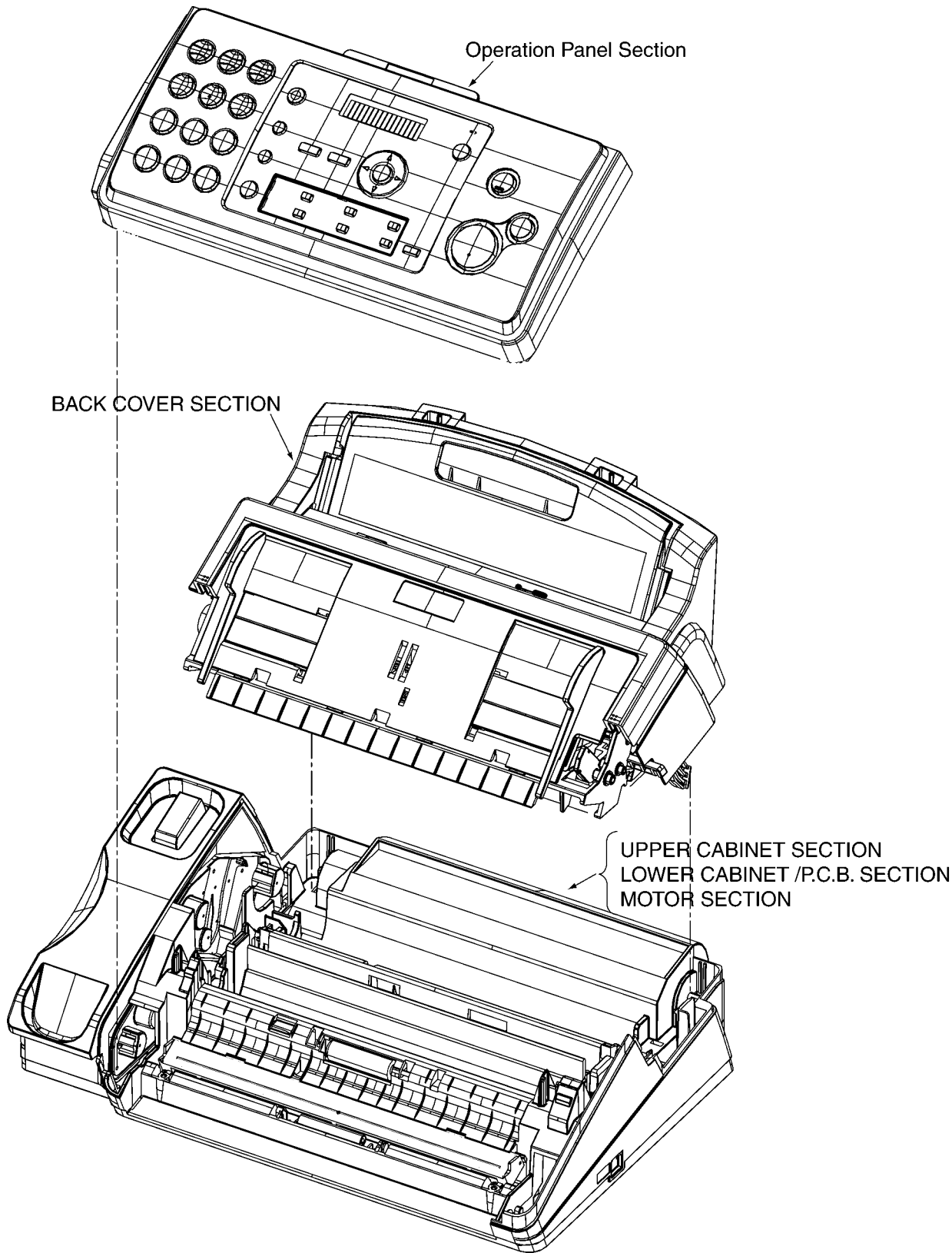
Important safety notice

Components identified by ⚠ mark have special characteristics important for safety. When replacing any of these components, use only the manufacturer's specified parts.

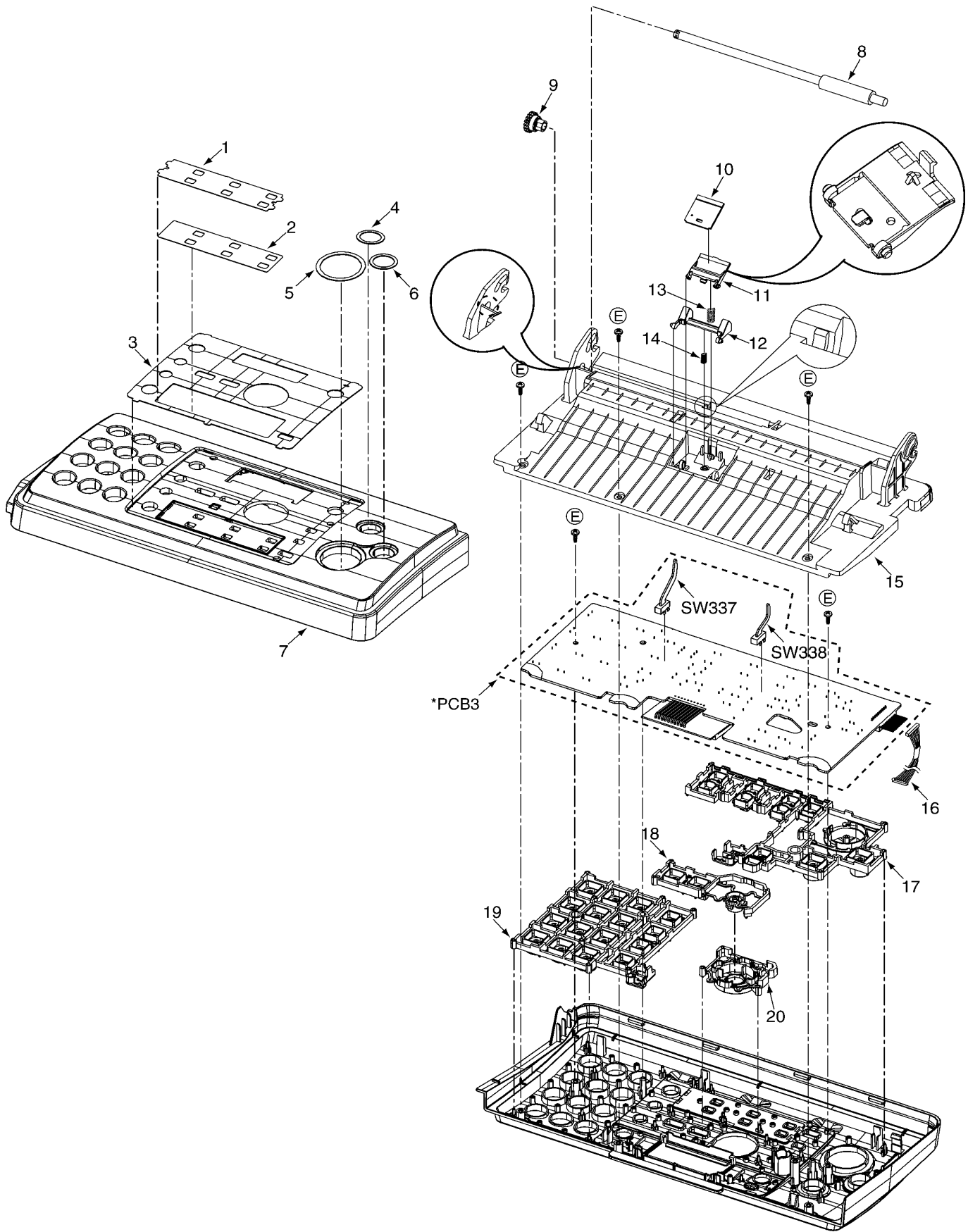
20 Exploded View and Replacement Parts List

20.1. Cabinet, Mechanical and Electrical Parts Location

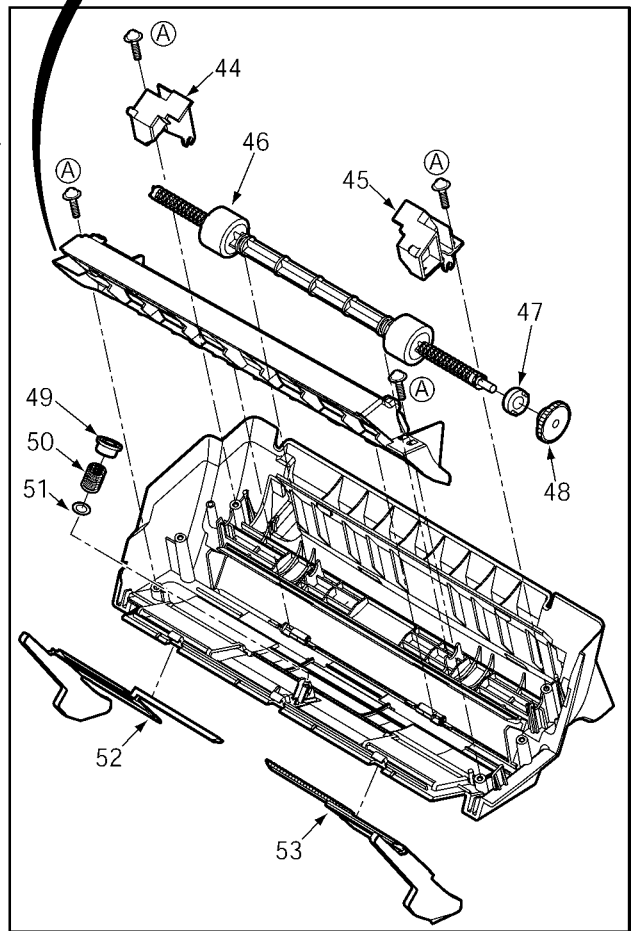
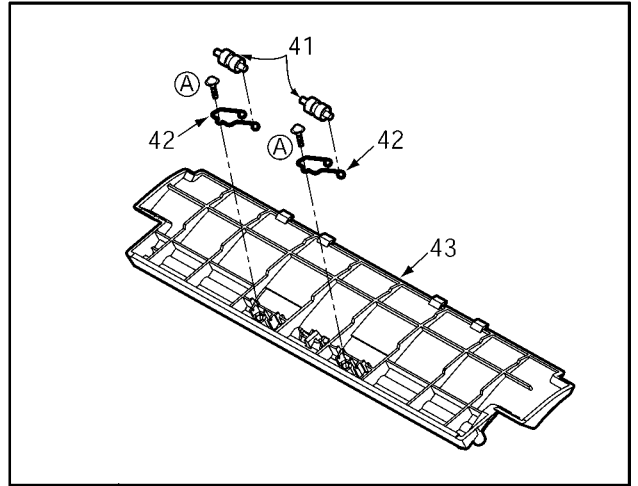
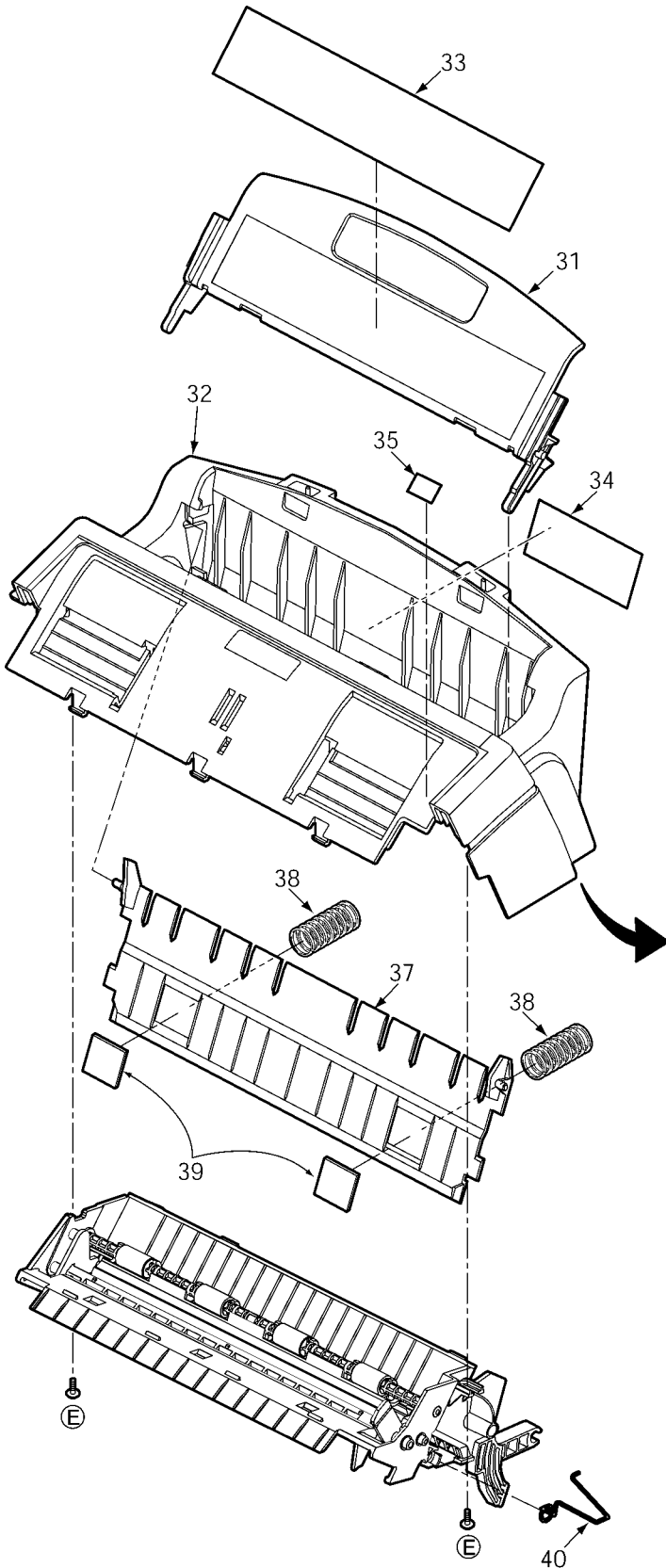
20.1.1. General Section

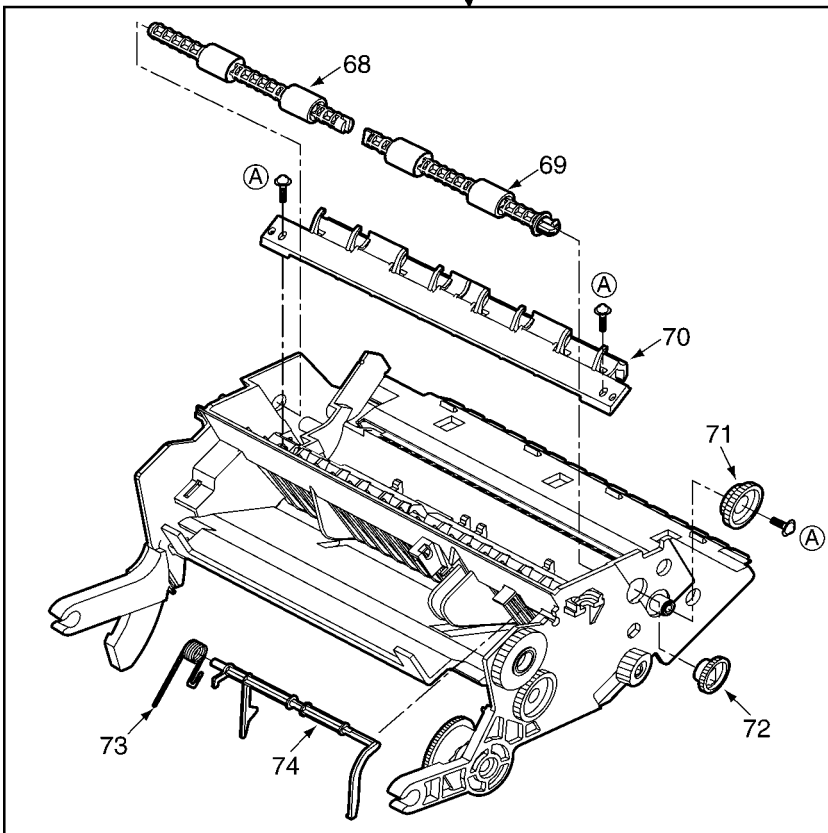
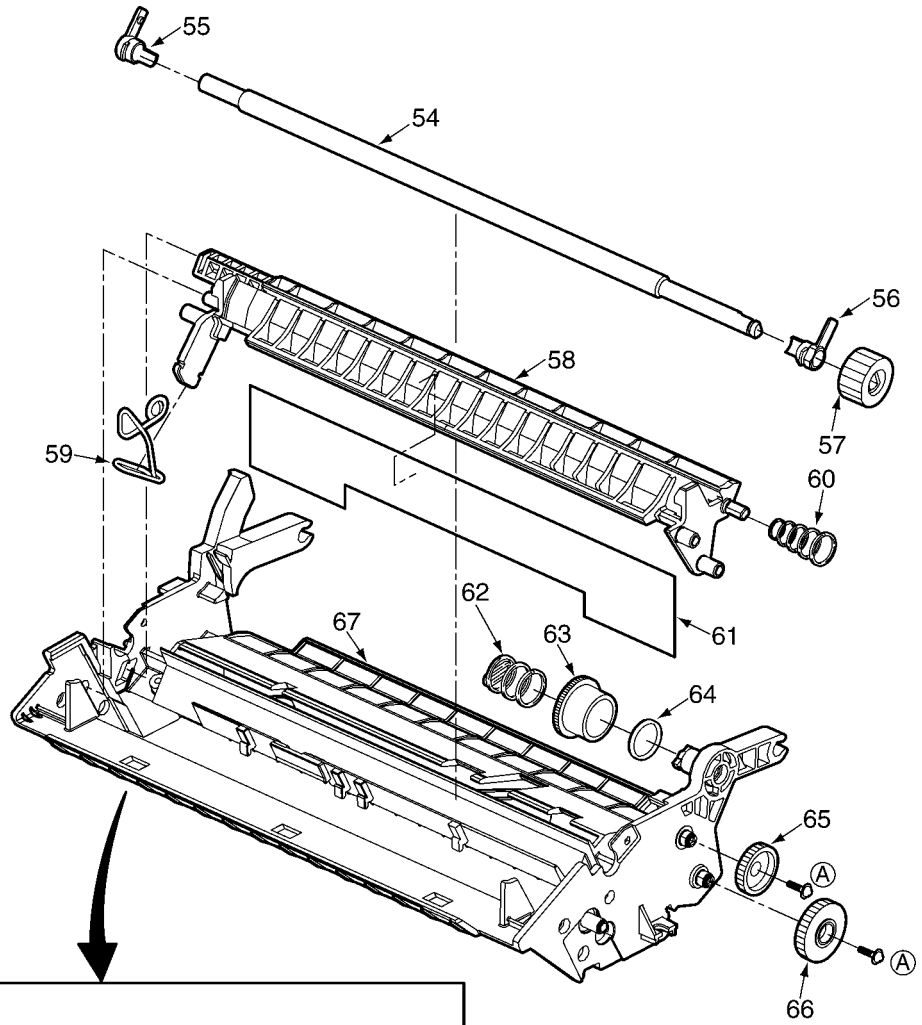


20.1.2. Operation Panel Section

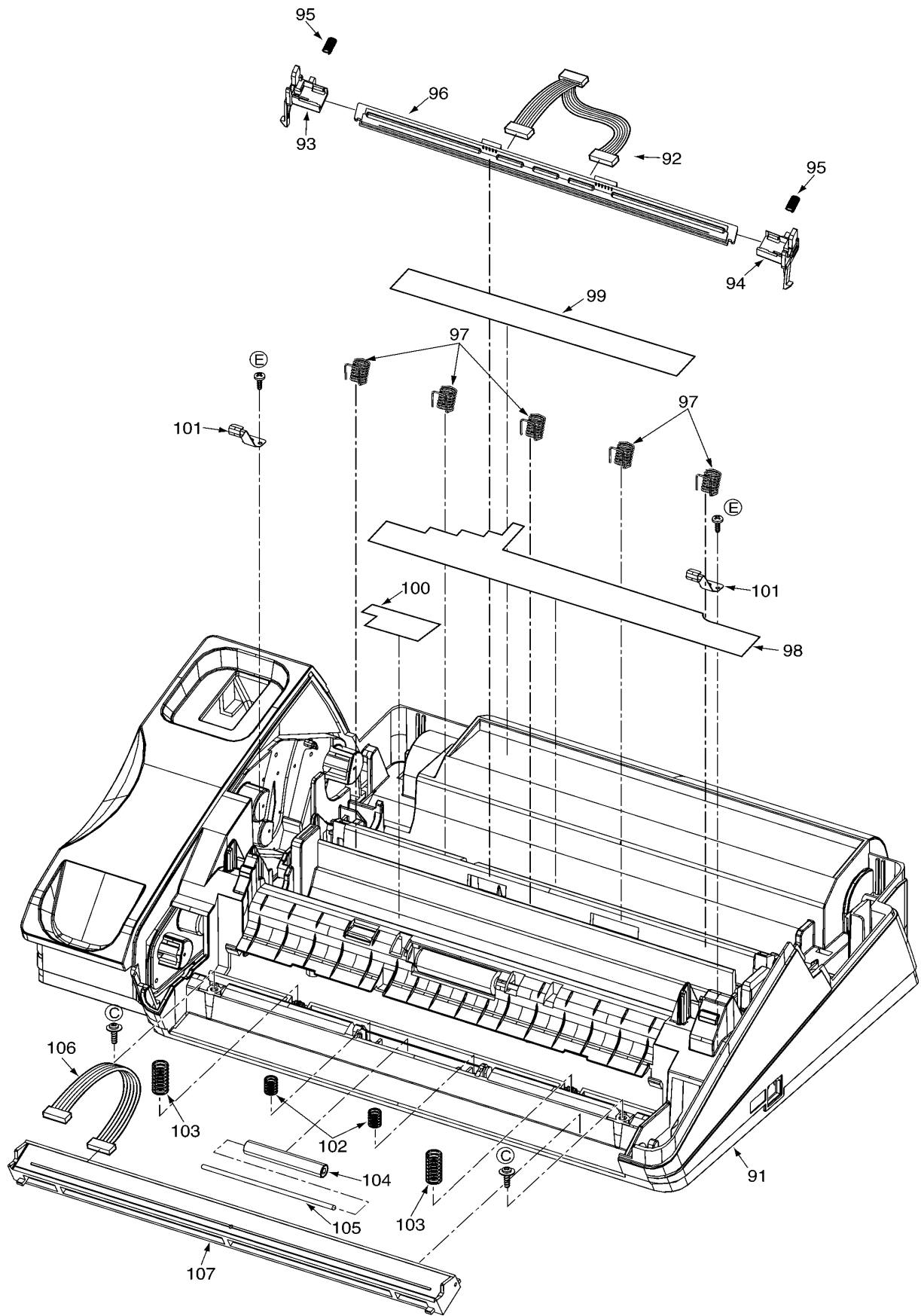


20.1.3. Back Cover Section

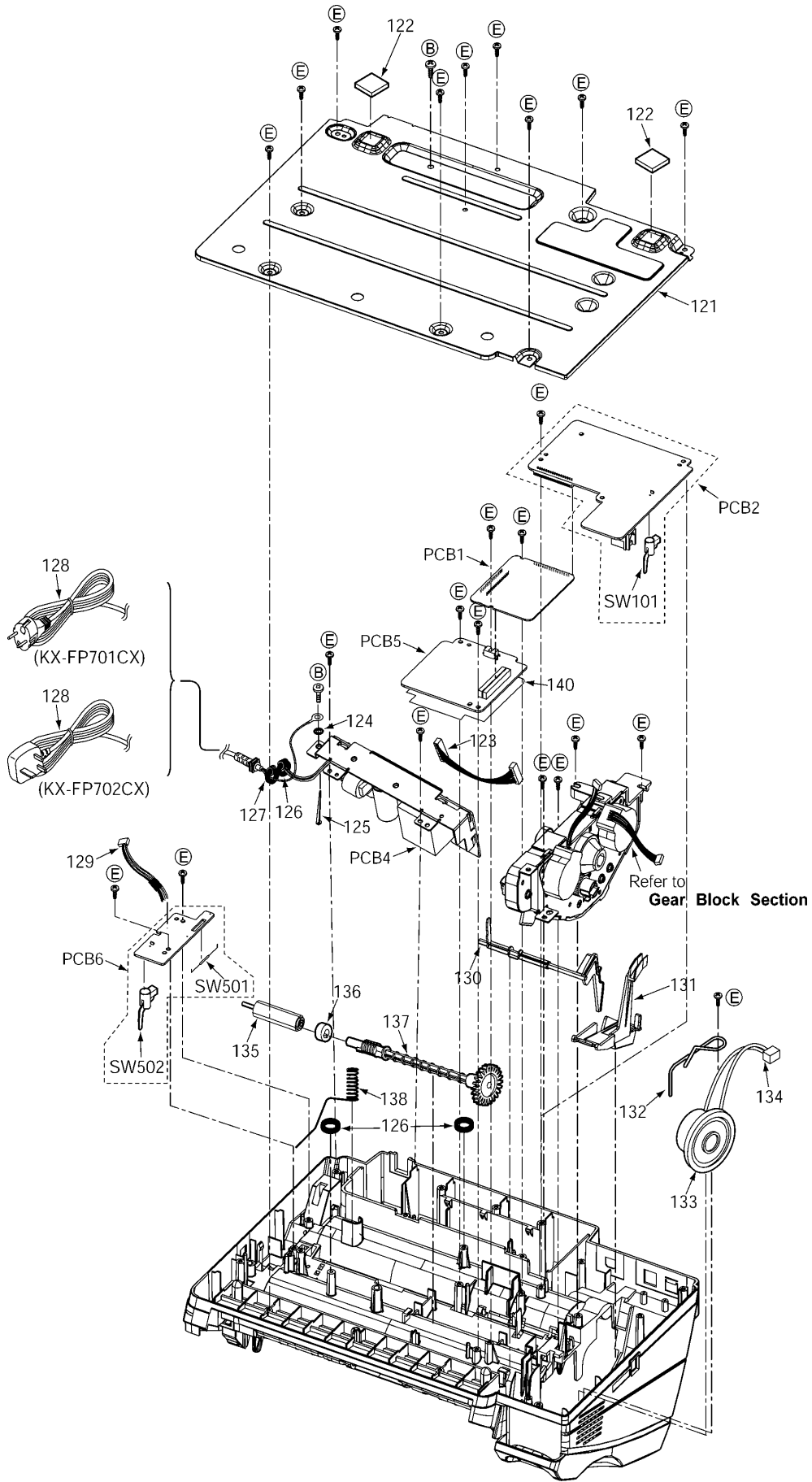




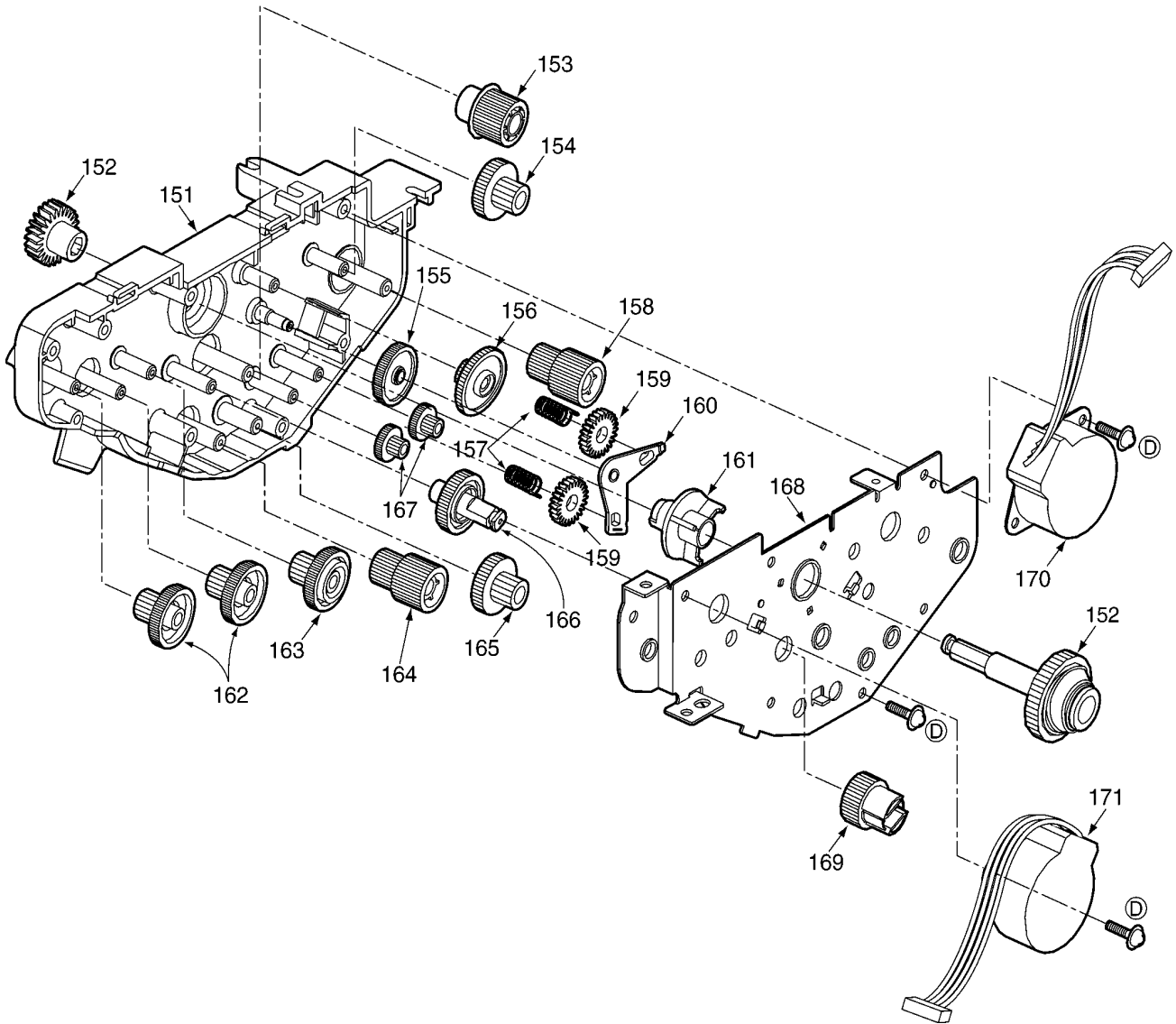
20.1.4. Upper Cabinet Section



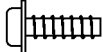

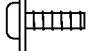
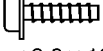
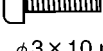
20.1.5. Lower Cabinet Section



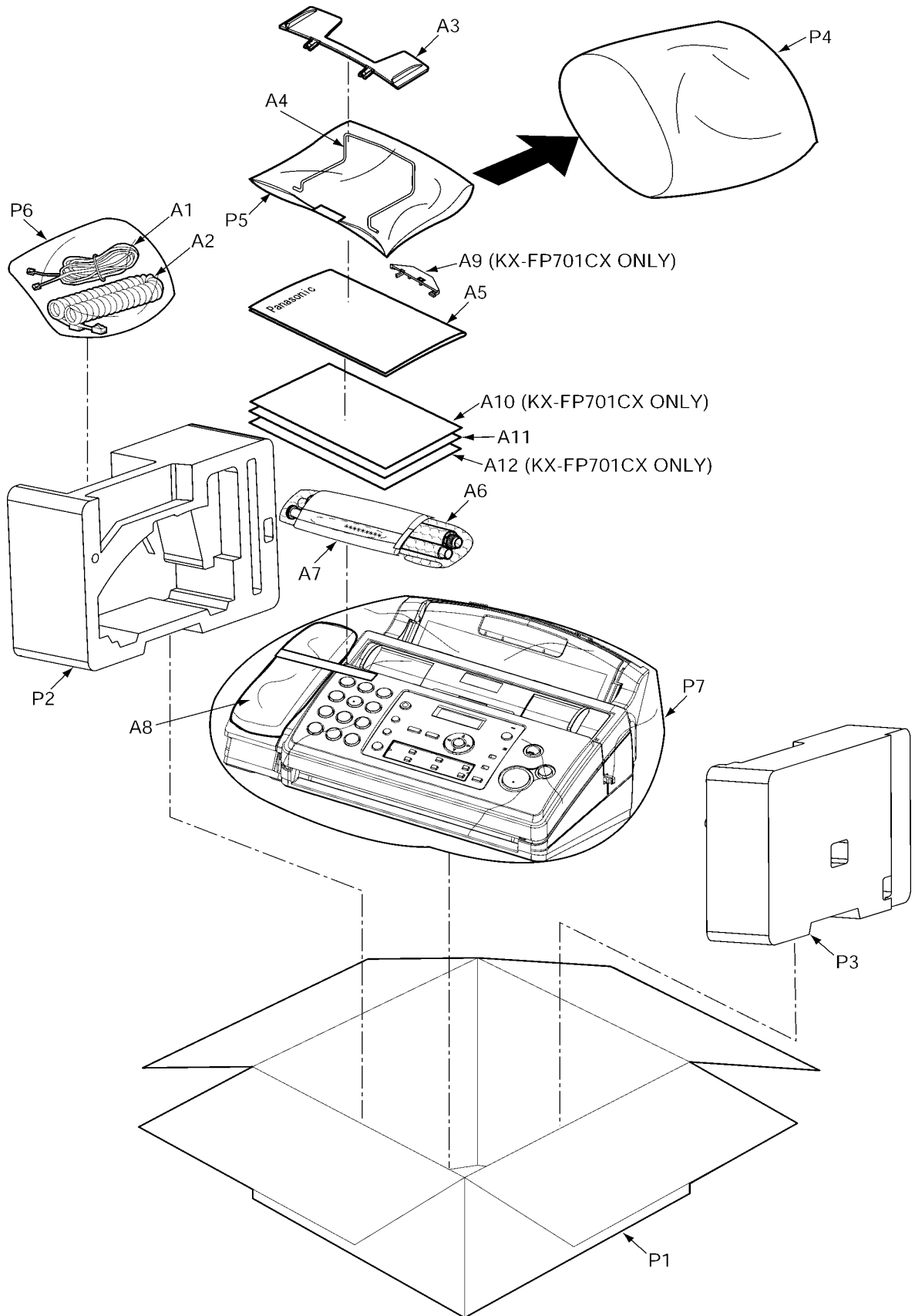
20.1.6. Gear Block Section



20.1.7. Screws

	Figure
Ⓐ	 $\phi 3 \times 10 \text{ mm}$
Ⓑ	 $\phi 4 \times 6 \text{ mm}$
Ⓒ	 $\phi 3 \times 8 \text{ mm}$
Ⓓ	 $\phi 2.6 \times 10 \text{ mm}$
Ⓔ	 $\phi 3 \times 10 \text{ mm}$

20.1.8. Accessories and Packing Materials



20.2. Replacement Parts List

Notes:

- The marking (RTL) indicates that the Retention Time is limited for this item.

After the discontinuation of this assembly in production, the item will continue to be available for a specific period of time. The retention period of availability is dependent on the type of assembly, and in accordance with the laws governing parts and product retention.

After the end of this period, the assembly will no longer be available.

- Important safety notice

Components identified by Δ mark have special characteristics important for safety. When replacing any of these components, use only manufacturer's specified parts.

- The S mark means the part is one of some identical parts. For that reason, it may be different from the installed part.

4. RESISTORS & CAPACITORS

Unless otherwise specified;

All resistors are in ohms (Ω) K=1000 Ω , M=1000k Ω

All capacitors are in MICRO FARADS (μ F) P= μ μ F

*Type & Wattage of Resistor

Type

ERC:Solid	ERX:Metal Film	PQ4R:Carbon
ERD:Carbon	ERG:Metal Oxide	ERS:Fusible Resistor
PQRD:Carbon	ER0:Metal Film	ERF:Cement Resistor

Wattage

10,16:1/8W	14,25:1/4W	12:1/2W	1:1W	2:2W	3:3W
------------	------------	---------	------	------	------

*Type & Voltage of Capacitor

Type

ECFD:Semi-Conductor	ECCD,ECKD,ECBT,PQCBC : Ceramic
ECQS:Styrol	ECQE,ECQV,ECQG : Polyester
PQCUV:Chip	ECEA,ECSZ : Electrolytic
ECQMS:Mica	ECQP : Polypropylene

Voltage

ECQ Type	ECQG Type	ECSZ Type	Others	
1H: 50V	05: 50V	0F:3.15V	0J :6.3V	1V :35V
2A:100V	1:100V	1A:10V	1A :10V	50,1H:50V
2E:250V	2:200V	1V:35V	1C :16V	1J :63V
2H:500V		0J:6.3V	1E,25:25V	2A :100V

20.2.1. Cabinet and Electrical Parts

20.2.1.1. Operation Panel Section

Ref. No.	Part No.	Part Name & Description	Remarks
1	PFGV1022Z	TRANSPARENT PLATE	PC
2	PFGD1081Z	CARD, TEL	
3	PFGP1427X	PANEL, LCD	PC
4	PFHX2102Z	PLASTIC PARTS, RING STOP	PC
5	PFHX2104Z	PLASTIC PARTS, RING START	PC
6	PFHX2103Z	PLASTIC PARTS, RING COPY	PC
7	PFGG1315X1	GRILLE, OPERATION PANEL (KX-FP701CX)	PS-HB
7	PFGG1315W1	GRILLE, OPERATION PANEL (KX-FP702CX)	PS-HB
8	PFDR1105Z	ROLLER, DOCUMENT EXIT	
9	PFDG1148Z	GEAR, DOCUMENT EXIT ROLLER	POM-HB
10	PFHG1283Z	SPACER, PAD (RUBBER)	
11	PFHR1719Z	COVER, SEPARATION HOLDER	ABS
12	PFHR1720Z	SPACER, DOC. FEED SUPPORT	POM-HB
13	PFUS1836Z	COIL SPRING	
14	PFUS1837Z	COIL SPRING, DOC. FEED	
15	PFUV1112Z	COVER, OPERATION	PS-HB
16	PFJS08M93Z	CONNECTOR, 8PIN	

Ref. No.	Part No.	Part Name & Description	Remarks
17	PFBX1290Z1	PUSH BUTTON, 11 KEY	ABS
18	PFBX1289Y1	PUSH BUTTON, 3 KEY	ABS
19	PFBX1291Z1	PUSH BUTTON, 16 KEY	ABS
20	PFBC1203Z1	PUSH BUTTON	ABS

20.2.1.2. Back Cover Section

Ref. No.	Part No.	Part Name & Description	Remarks
31	PFDE1189Y2	LEVER, CASSETTE	PS-HB
32	PFKV1071Y2	COVER, U TURN	PS-HB
33	PFQT2999Z	INDICATION LABEL, PAPER SET	
34	PFGT3418Z-M	NAME PLATE, AL (KX-FP701CX)	S
34	PFGT3419Z-M	NAME PLATE, AL (KX-FP702CX)	S
35	PFQT2980Z	INDICATION LABEL, OPEN	
36	Not used		
37	PFKS1039W	TRAY, CASSETTE PLATE (KX-FP701CX)	PS-HB
37	PFKS1039Z	TRAY, CASSETTE PLATE (KX-FP702CX)	PS-HB
38	PFUS1414Z	COIL SPRING, PICK UP	
39	PFHG1088Z	RUBBER PARTS, PAPER SEPARATION	
40	PFUS1409Z	TORSION SPRING, EARTH	
41	PFDR1040Z	ROLLER, SUPPORT	POM-HB
42	PFUS1407Y	TORSION SPRING, EXIT SUB ROLLER	
43	PFUV1055Y	COVER, GUIDE	PS-HB
44	PFHR1188Y	GUIDE, CORNER/R (KX-FP701CX)	POM-HB
44	PFHR1221Y	GUIDE, CORNER/R (KX-FP702CX)	POM-HB
45	PFHR1187Y	GUIDE, CORNER/L (KX-FP701CX)	POM-HB
45	PFHR1220X	GUIDE, CORNER/L (KX-FP702CX)	POM-HB
46	PFDN1062Z	ROLLER, PICK UP	POM-N
47	PFDE1188Z	SPACER, PICK UP DELAY	POM-HB
48	PFDG1290Z	GEAR, PICK UP ROLLER	POM-HB
49	PFDG1293Z	GEAR, DOCUMENT	POM-HB
50	PFUS1034Z	TORSION SPRING, GUIDE DOC.	
51	PFHX1605Z	SPACER, SLIDERGEAR SHEET	PET
52	PFKR1028Y1	GUIDE, DOCUMENT/R	ABS-HB
53	PFKR1027X1	GUIDE, DOCUMENT/L	ABS-HB
54	PFDN1043Z	ROLLER, PLATEN	
55	PFHR1717Z	SPACER, PLATEN/L	POM-HB
56	PFHR1718Z	SPACER, PLATEN/R	POM-HB
57	PFDG1165Y	GEAR, PLATEN	POM-HB
58	PFDE1192Y1	LEVER, LOCK	ABS-HB
59	PFUS1404Z	TORSION SPRING, EARTH LEVER	
60	PFUS1258Z	COIL SPRING, LOCK LEVER	
61	PFHX1596Z	SPACER, LOCK LEVER SHEET	PET
62	PFUS1232Z	COIL SPRING, BACK TENSION	
63	PFDG1160Z	GEAR BACK TENSION	POM-HB
64	PFHS1029Z	COVER, BACK TENSION	GS
65	PFDG1291Z	GEAR, PICK UP IDLER	POM-HB
66	PFDG1292Z	GEAR, PICK UP IDLER	POM-HB
67	PFUA1042X	CHASSIS, U TURN	PS-HB
68	PFDN1061Z	ROLLER, EXIT/R	POM-N
69	PFDN1060Z	ROLLER, EXIT/L	POM-N
70	PFUG1015Z	GUIDE, BASE	PS-HB
71	PFDG1289Z	GEAR, EXIT IDLER	POM-HB
72	PFDG1288Z	GEAR, EXIT ROLLER	POM-HB
73	PFUS1237Z	COIL SPRING, PAPER TOP	
74	PFDE1128Y	LEVER, PAPER TOP SENSOR	POM-HB

20.2.1.3. Upper Cabinet Section

Ref. No.	Part No.	Part Name & Description	Remarks
91	PFKM1231Z1	CABINET BODY, MAIN	PBT+ABS-V1
92	PFJS11M16Z	CONNECTOR, 11 PIN	
93	PFHR1715Z	GUIDE, HOLDER HEAD/L	POM
94	PFHR1716Z	GUIDE, HOLDER HEAD/R	POM

Ref. No.	Part No.	Part Name & Description	Remarks
95	PFUS1835Z	COIL SPRING, HEAD/B	
96	L1CC00000069	PRINTER UNITS, THERMAL HEAD	
97	PFUS1834Z	COIL SPRING, HEAD/A	
98	PFHX2161Z	SHEET, STATIC ELEC.	
99	PFQT1934Z	INDICATION LABEL, INK FILM	
100	PFQT2990Z	INDICATION LABEL, BLUE GEAR	
101	PFUS1418Z	TORSION SPRING, OPERATION PANEL LOCK	
102	PFUS1756Z	COIL SPRING, SPEXIT ROLLER	
103	PFUS1833Z	COIL SPRING, CIS	
104	PFDR1098Z	ROLLER, DOC SUPPORT	
105	PFDF1017Z	SHAFT	
106	PFJS07M91Z	CONNECTOR, 7 PIN	
107	N2GZYY000003	IMAGE SENSOR	

20.2.1.4. Lower Cabinet Section

Ref. No.	Part No.	Part Name & Description	Remarks
121	PFMD1114Z	FRAME, BOTTOM	
122	PFHG1050Z	RUBBER PARTS, LEG	
123	PFJS08M92Z	CONNECTOR, 8 PIN	
124	XWC4BFJ	WASHER	
125	PQHR945Z	BAND	
126	JOKE00000101	INSULATOR	
127	PQLB1E1	INSULATOR	
128	PFJA03A016Z	POWER CORD (KX-FP701CX)	△
128	PFJA03A017Z	POWER CORD (KX-FP702CX)	△
129	PFJS03M90Z	CONNECTOR, 3 PIN	
130	PFDE1191Y	LEVER, PAPER TOP SENSOR	POM-HB
131	PFBH1022Y1	PUSH BUTTON, HOOK	POM-HB
132	PFUS1338Y	TORSION SPRING, SPEAKER	
133	LOAA05A000048	SPEAKER	
134	PFJS02L04Z	CONNECTOR, 2 PIN	
135	PFDR1014Z	ROLLER, DOC. SEPARATION)	POM
136	PFDE1133Z	SPACER, DELAY	POM-HB
137	PFDF1087Z	SHAFT, DOC SEPARATION	POM-HB
138	PFUS1839Z	SPRING, HEAD EARTH	
139	Not used		
140	PFHX2170Z	SHEET/INTER PCB	

20.2.1.5. Gear Block Section

Ref. No.	Part No.	Part Name & Description	Remarks
151	PFUA1041X	CHASSIS, GEAR BASE	PBT+ABS -V1
152	PFDX1029Z	GEAR ASS'Y, TORQUE LIMIT	
153	PFDG1151Z	GEAR	POM-HB
154	PFDG1287Z	GEAR	POM-HB
155	PFDG1150Z	GEAR	POM-HB
156	PFDG1149Z	GEAR	POM-HB
157	PFUS1231Y	COIL SPRING	
158	PFDG1158Z	GEAR	POM-HB
159	PFDG1159Z	GEAR	POM-HB
160	PFHR1355Y	ARM	POM-HB
161	PFHR1186Z	SPACER, SUPPORT BASE	POM-HB
162	PFDG1282Z	GEAR	POM-HB
163	PFDG1283Z	GEAR	POM-HB
164	PFDG1284Z	GEAR	POM-HB
165	PFDG1285Z	GEAR	POM-HB
166	PFDG1153Z	GEAR	POM-HB
167	PFDG1286Z	GEAR	POM-HB
168	PFMD1062Y	FRAME	
169	PFDG1154Z	GEAR	POM-HB
170	L6HAYYYK0017	DC MOTOR, RX	
171	L6HAYYYK0018	DC MOTOR, TX	

20.2.1.6. Screws

Ref. No.	Part No.	Part Name & Description	Remarks
A	XTW3+10PFJ7	TAPPING SCREW	
B	XSB4+6FJ	SMALL SCREW	
C	XTW3+W8PFJ	TAPPING SCREW	
D	PQHV2610PJ65	TAPPING SCREW	
E	XTB3+10GFJ	TAPPING SCREW	

20.2.1.7. Accessories and Packing Materials

Ref. No.	Part No.	Part Name & Description	Remarks
A1	PFJA02B002Y	CORD, TELEPHONE	
A2	PQJA212M	CORD, HANDSET	
A3	PFKS1076Z2	TRAY, RECORDING PAPER (KX-FP701CX)	PS-HB
A3	PFKS1094Z2	TRAY, RECORDING PAPER (KX-FP702CX)	PS-HB
A4	PFUS1406Z	TRAY, RECORDING PAPER SUPPORT	
A5	PFQX2791Z	INSTRUCTION BOOK	
A6	PFPE1498Z	ACCESSORY PARTS, INK RIBBON (10M)	
A7	PFQW1945Y	LEAFLET, INK FILM	
A8	PFJXE1441Z	HANDSET ASS'Y	
A9	PFKS1080Z1	SPACER, A4 (KX-FP701CX)	
A10	PFQW2771Z	LEAFLET, THAI (KX-FP701CX)	
A11	PFQW2725Z	LEAFLET, ARABIC	
A12	PFQW2726Z	LEAFLET, FARSI (KX-FP701CX)	
P1	PFZE1667Y-M	GIFT BOX (KX-FP701CX)	S
P1	PFZE1668Y-M	GIFT BOX (KX-FP702CX)	S
P2	PFPN1467Z	CUSHION, LEFT	
P3	PFPN1468Z	CUSHION, RIGHT	
P4	XZB32X45A04	PROTECTION COVER	
P5	XZB20X30A04	PROTECTION COVER	
P6	XZB20X35A04	PROTECTION COVER	
P7	PFPH1085Z	PACKING SHEET	

20.2.2. Digital Board Parts

20.2.2.1. KX-FP701CX

Ref. No.	Part No.	Part Name & Description	Remarks
PCB1	PFWP1FP701CX	DIGITAL BOARD ASS'T (RTL)	
		(ICs)	
IC1	C1ZBZ0003300	IC	
IC2	C0CBADD00009	IC	
IC3	C0CBCBD000047	IC	
IC4	C3ABKY000001	IC	
IC5	C1CB00001959	IC	
IC6	PFWIFP701CX	IC (ROM)	
IC7	C0JBAA000393	IC	
IC10	C0ABEB000023	IC	
IC11	C0JBAS000128	IC	
IC13	C1AB00002556	IC	
		(IC FILTERS)	
L1	J0JCC0000308	IC FILTER	
L2	J0JCC0000286	IC FILTER	
L3	J0JCC0000286	IC FILTER	
		(TRANSISTORS)	
Q2	B1GBCFGG0028	TRANSISTOR (SI)	
Q4	B1GBCFGG0028	TRANSISTOR (SI)	
Q5	B1ABDF000025	TRANSISTOR (SI)	
Q7	B1ABDF000025	TRANSISTOR (SI)	

Ref. No.	Part No.	Part Name & Description	Remarks
Q8	B1ABDF000026	TRANSISTOR(SI)	
Q9	2SB1218ARL	TRANSISTOR(SI)	
Q11	B1GBCFJJ0048	TRANSISTOR(SI)	
Q12	B1GBCFJJ0048	TRANSISTOR(SI)	
Q13	B1GBCFGG0028	TRANSISTOR(SI)	
Q14	UNR521700L	TRANSISTOR(SI)	
		(CONNECTORS)	
CN1	PQJS18A10Z	CONNECTOR, 18 PIN	S
CN2	PQJS18A10Z	CONNECTOR, 18 PIN	S
CN4	K1KA07A00257	CONNECTOR, 7 PIN	
CN6	K1KA02A00587	CONNECTOR, 2 PIN	
CN7	K1KY10BA0094	CONNECTOR, 10 PIN	
		(COMPONENTS PARTS)	
CA13	F5A421040004	COMPONENTS PARTS	
CA28	F5A421040004	COMPONENTS PARTS	
CA32	F5A421040004	COMPONENTS PARTS	
CA71	F5A421040004	COMPONENTS PARTS	
CA82	F5A421040004	COMPONENTS PARTS	
RA1	EXB28V332JX	RESISTOR ARRAY	
RA2	EXB28V101JX	RESISTOR ARRAY	
RA5	EXB24V103JX	RESISTOR ARRAY	
RA6	EXB24V221JX	RESISTOR ARRAY	
RA8	EXB28V332JX	RESISTOR ARRAY	
RA9	EXB24V223JX	RESISTOR ARRAY	
RA10	D1H84724A013	RESISTOR ARRAY	S
RA11	EXB24V124JX	RESISTOR ARRAY	
RA12	EXB24V223JX	RESISTOR ARRAY	
RA13	EXB24V332JX	RESISTOR ARRAY	
RA14	EXB24V221JX	RESISTOR ARRAY	
		(CRYSTAL OSCILLATORS)	
X2	H0A327200147	CRYSTAL OSCILLATOR	
X3	H2C240500006	CRYSTAL OSCILLATOR	
X4	H0J322500006	CRYSTAL OSCILLATOR	
		(RESISTORS)	
R2	ERJ2GEJ101	100	
R7	ERJ2GE0R00	0	
R8	ERJ2GEJ472X	4.7K	
R9	ERJ2GEJ333	33K	
R10	ERJ2GEJ472X	4.7K	
R11	ERJ3EKF1101	1.1K	
R12	ERJ3EKF3602	36K	
R16	ERJ2GEJ101	100	
R18	ERJ2GEJ104	100K	
R24	ERJ2GEJ223	22K	
R25	ERJ2GEJ433	43K	
R26	ERJ2GEJ203	20K	
R29	ERJ2GEJ222	2.2K	
R30	ERJ2GEJ182	1.8K	
R31	ERJ2GEJ47	4.7	
R33	ERJ2GEJ103	10K	
R38	ERJ2GEJ471	470	
R39	ERJ2GEJ334	330K	
R40	ERJ2GEJ475	4.7M	
R41	ERJ2GEJ100	10	
R42	ERJ2GE0R00	0	
R43	ERJ2GEJ105X	1M	
R49	ERJ2GEJ273X	27K	
R50	ERJ2GEJ824	820K	
R51	ERJ2GEJ105X	1M	
R53	ERJ2GEJ272	2.7K	
R55	ERJ2GEJ182	1.8K	
R56	ERJ2GEJ564	560K	
R58	ERJ2GEJ103	10K	
R60	ERJ2GEJ682	6.8K	
R61	ERJ2GEJ332	3.3K	
R62	ERJ2GEJ821	820	
R64	ERJ2GEJ124	120K	
R65	ERJ2GEJ223	22K	
R66	ERJ2GEJ473	47K	

Ref. No.	Part No.	Part Name & Description	Remarks
R67	ERJ2GEJ335	3.3M	
R68	ERJ2GEJ272	2.7K	
R69	ERJ2GEJ333	33K	
R71	ERJ2GEJ220	22	
R72	ERJ2GEJ224	220K	
R73	ERJ2GEJ823	82K	
R74	ERJ2GEJ183	18K	
R75	ERJ2GEJ184	180K	
R79	ERJ2GEJ473	47K	
R80	ERJ2GEJ103	10K	
R82	ERJ2GEJ682	6.8K	
R88	ERJ2GEJ563	56K	
R92	ERJ2GE0R00	0	
R93	ERJ2GE0R00	0	
R97	ERJ2GEJ472X	4.7K	
		(CAPACITORS)	
C2	F2G0J4700032	47	
C4	ECUV1A105ZFV	1	
C6	ECUE1A104KBQ	0.1	
C8	ECUE1H102KBQ	0.001	
C10	ECUV1A105ZFV	1	
C11	F2G0J4700032	47	
C21	ECJ0EF1C104Z	0.1	
C22	ECUE1H102KBQ	0.001	
C23	ECUE1H222KBQ	0.0022	
C24	ECUE1H101JCQ	100P	
C25	ECJ0EF1C104Z	0.1	
C26	ECJ0EF1C104Z	0.1	
C27	ECUE1H102KBQ	0.001	
C29	ECUE1H102KBQ	0.001	
C30	ECJ0EF1C104Z	0.1	
C31	ECJ0EF1C104Z	0.1	
C33	ECUE1H120JCQ	12P	
C34	ECJ0EF1C104Z	0.1	
C35	ECUE1H120JCQ	12P	
C36	ECUE1H102KBQ	0.001	
C37	ECUE1H102KBQ	0.001	
C38	ECJ0EF1C104Z	0.1	
C39	ECJ0EF1C104Z	0.1	
C40	ECJ0EF1C104Z	0.1	
C41	ECUE1H102KBQ	0.001	
C42	ECUE1H102KBQ	0.001	
C43	ECUE1H102KBQ	0.001	
C44	ECUE1H102KBQ	0.001	
C47	ECUE1H330JCQ	33P	
C48	F2G0J4700032	47	
C49	ECJ0EF1C104Z	0.1	
C50	ECUE1H101JCQ	100P	
C51	ECUE1A104KBQ	0.1	S
C52	ECUE1H222KBQ	0.0022	
C54	ECUV1A224KBV	0.22	
C55	ECUE1E472KBQ	0.0047	
C57	ECUE1H222KBQ	0.0022	
C61	ECUE1H100DCQ	10P	
C62	ECJ0EF1C104Z	0.1	
C63	ECUE1H680JCQ	68P	
C64	ECUV1A105ZFV	1	
C67	ECJ0EF1C104Z	0.1	
C68	ECUV1A105ZFV	1	
C69	ECJ0EF1C104Z	0.1	
C70	ECJ0EF1C104Z	0.1	
C72	ECUE1H120JCQ	12P	
C73	ECJ0EF1C104Z	0.1	
C74	ECUE1C103KBQ	0.01	
C75	ECUE1H120JCQ	12P	
C77	ECUE1A683KBQ	0.068	
C78	ECUE1C223KBQ	0.022	
C79	ECUE1H102KBQ	0.001	
C80	ECUV1H104ZFV	0.1	
C83	ECUE1A104KBQ	0.1	
C84	ECUE1H100DCQ	10P	
C85	ECJ0EF1C104Z	0.1	

Ref. No.	Part No.	Part Name & Description	Remarks
C86	F2G1C1000014	10	
C87	ECUE1H121JCQ	120P	
C88	F2G1C1000014	10	
C89	ECUE1A104KBQ	0.1	
C91	ECUV0J105KBV	1	
C99	ECUE1H102KBQ	0.001	
C101	ECUE1A104KBQ	0.1	
C102	ECUE1A104KBQ	0.1	
C104	ECUE1A104KBQ	0.1	
C105	ECUV1A105ZFV	1	
C115	ECUE1H102KBQ	0.001	
C116	ECJ0EF1C104Z	0.1	
C117	ECJ0EF1C104Z	0.1	
C120	ECJ0EF1C104Z	0.1	

20.2.2.2. KX-FP702CX

Ref. No.	Part No.	Part Name & Description	Remarks
PCB1	PFWP1FP702CX	DIGITAL BOARD ASS'T (RTL)	
		(ICs)	
IC1	C1ZBZ0003300	IC	
IC2	C0CBADD00009	IC	
IC3	C0CBCBD00047	IC	
IC4	C3ABRY000001	IC	
IC5	C1CB00001959	IC	
IC6	PFWIFP702CX	IC (ROM)	
IC7	C0JBAA000393	IC	
IC10	C0ABEB000023	IC	
IC11	C0JBAS000128	IC	
IC13	C1AB00002556	IC	
		(IC FILTERS)	
L1	J0JCC0000308	IC FILTER	
L2	J0JCC0000286	IC FILTER	
L3	J0JCC0000286	IC FILTER	
		(TRANSISTORS)	
Q2	B1GBCFGG0028	TRANSISTOR (SI)	
Q4	B1GBCFGG0028	TRANSISTOR (SI)	
Q5	B1ABDF000025	TRANSISTOR (SI)	
Q7	B1ABDF000025	TRANSISTOR (SI)	
Q8	B1ABDF000026	TRANSISTOR (SI)	
Q9	2SB1218ARL	TRANSISTOR (SI)	
Q11	B1GBCFJJ0048	TRANSISTOR (SI)	
Q12	B1GBCFJJ0048	TRANSISTOR (SI)	
Q13	B1GBCFGG0028	TRANSISTOR (SI)	
Q14	UNR521700L	TRANSISTOR (SI)	
		(CONNECTORS)	
CN1	PQJS18A10Z	CONNECTOR, 18 PIN	S
CN2	PQJS18A10Z	CONNECTOR, 18 PIN	S
CN4	K1KA07A00257	CONNECTOR, 7 PIN	
CN6	K1KA02A00587	CONNECTOR, 2 PIN	
CN7	K1KY10BA0094	CONNECTOR, 10 PIN	
		(COMPONENTS PARTS)	
CA13	F5A421040004	COMPONENTS PARTS	
CA28	F5A421040004	COMPONENTS PARTS	
CA32	F5A421040004	COMPONENTS PARTS	
CA71	F5A421040004	COMPONENTS PARTS	
CA82	F5A421040004	COMPONENTS PARTS	
RA1	EXB28V332JX	RESISTOR ARRAY	
RA2	EXB28V101JX	RESISTOR ARRAY	
RA5	EXB24V103JX	RESISTOR ARRAY	
RA6	EXB24V221JX	RESISTOR ARRAY	
RA8	EXB28V332JX	RESISTOR ARRAY	
RA9	EXB24V223JX	RESISTOR ARRAY	
RA10	D1H84724A013	RESISTOR ARRAY	S
RA11	EXB24V124JX	RESISTOR ARRAY	

Ref. No.	Part No.	Part Name & Description	Remarks
RA12	EXB24V223JX	RESISTOR ARRAY	
RA13	EXB24V332JX	RESISTOR ARRAY	
RA14	EXB24V221JX	RESISTOR ARRAY	
		(CRYSTAL OSCILLATORS)	
X2	H0A327200147	CRYSTAL OSCILLATOR	
X3	H2C240500006	CRYSTAL OSCILLATOR	
X4	H0J322500006	CRYSTAL OSCILLATOR	
		(RESISTORS)	
R2	ERJ2GEJ101	100	
R7	ERJ2GE0R00	0	
R8	ERJ2GEJ472X	4.7K	
R9	ERJ2GEJ333	33K	
R10	ERJ2GEJ472X	4.7K	
R11	ERJ3EKF1101	1.1K	
R12	ERJ3EKF3602	36K	
R16	ERJ2GEJ101	100	
R18	ERJ2GEJ104	100K	
R24	ERJ2GEJ223	22K	
R25	ERJ2GEJ433	43K	
R26	ERJ2GEJ203	20K	
R29	ERJ2GEJ222	2.2K	
R30	ERJ2GEJ182	1.8K	
R31	ERJ2GEJ4R7	4.7	
R33	ERJ2GEJ103	10K	
R38	ERJ2GEJ471	470	
R39	ERJ2GEJ334	330K	
R40	ERJ2GEJ475	4.7M	
R41	ERJ2GEJ100	10	
R42	ERJ2GE0R00	0	
R43	ERJ2GEJ105X	1M	
R49	ERJ2GEJ273X	27K	
R50	ERJ2GEJ824	820K	
R51	ERJ2GEJ105X	1M	
R53	ERJ2GEJ272	2.7K	
R55	ERJ2GEJ182	1.8K	
R56	ERJ2GEJ564	560K	
R58	ERJ2GEJ103	10K	
R60	ERJ2GEJ682	6.8K	
R61	ERJ2GEJ332	3.3K	
R62	ERJ2GEJ821	820	
R64	ERJ2GEJ124	120K	
R65	ERJ2GEJ223	22K	
R66	ERJ2GEJ473	47K	
R67	ERJ2GEJ335	3.3M	
R68	ERJ2GEJ272	2.7K	
R69	ERJ2GEJ333	33K	
R71	ERJ2GEJ220	22	
R72	ERJ2GEJ224	220K	
R73	ERJ2GEJ823	82K	
R74	ERJ2GEJ183	18K	
R75	ERJ2GEJ184	180K	
R79	ERJ2GEJ473	47K	
R80	ERJ2GEJ103	10K	
R82	ERJ2GEJ682	6.8K	
R88	ERJ2GEJ563	56K	
R92	ERJ2GE0R00	0	
R93	ERJ2GE0R00	0	
R97	ERJ2GEJ472X	4.7K	
		(CAPACITORS)	
C2	F2G0J4700032	47	
C4	ECUV1A105ZFV	1	
C6	ECUE1A104KBQ	0.1	
C8	ECUE1H102KBQ	0.001	
C10	ECUV1A105ZFV	1	
C11	F2G0J4700032	47	
C21	ECJ0EF1C104Z	0.1	
C22	ECUE1H102KBQ	0.001	
C23	ECUE1H222KBQ	0.0022	
C24	ECUE1H101JCQ	100P	
C25	ECJ0EF1C104Z	0.1	

Ref. No.	Part No.	Part Name & Description	Remarks
C26	ECJ0EF1C104Z	0.1	
C27	ECUE1H102KBQ	0.001	
C29	ECUE1H102KBQ	0.001	
C30	ECJ0EF1C104Z	0.1	
C31	ECJ0EF1C104Z	0.1	
C33	ECUE1H120JCQ	12P	
C34	ECJ0EF1C104Z	0.1	
C35	ECUE1H120JCQ	12P	
C36	ECUE1H102KBQ	0.001	
C37	ECUE1H102KBQ	0.001	
C38	ECJ0EF1C104Z	0.1	
C39	ECJ0EF1C104Z	0.1	
C40	ECJ0EF1C104Z	0.1	
C41	ECUE1H102KBQ	0.001	
C42	ECUE1H102KBQ	0.001	
C43	ECUE1H102KBQ	0.001	
C44	ECUE1H102KBQ	0.001	
C47	ECUE1H330JCQ	33P	
C48	F2G0J4700032	47	
C49	ECJ0EF1C104Z	0.1	
C50	ECUE1H101JCQ	100P	
C51	ECUE1A104KBQ	0.1	S
C52	ECUE1H222KBQ	0.0022	
C54	ECUV1A224KBV	0.22	
C55	ECUE1E472KBQ	0.0047	
C57	ECUE1H222KBQ	0.0022	
C61	ECUE1H100DCQ	10P	
C62	ECJ0EF1C104Z	0.1	
C63	ECUE1H680JCQ	68P	
C64	ECUV1A105ZFV	1	
C67	ECJ0EF1C104Z	0.1	
C68	ECUV1A105ZFV	1	
C69	ECJ0EF1C104Z	0.1	
C70	ECJ0EF1C104Z	0.1	
C72	ECUE1H120JCQ	12P	
C73	ECJ0EF1C104Z	0.1	
C74	ECUE1C103KBQ	0.01	
C75	ECUE1H120JCQ	12P	
C77	ECUE1A683KBQ	0.068	
C78	ECUE1C223KBQ	0.022	
C79	ECUE1H102KBQ	0.001	
C80	ECUV1H104ZEV	0.1	
C83	ECUE1A104KBQ	0.1	
C84	ECUE1H100DCQ	10P	
C85	ECJ0EF1C104Z	0.1	
C86	F2G1C1000014	10	
C87	ECUE1H121JCQ	120P	
C88	F2G1C1000014	10	
C89	ECUE1A104KBQ	0.1	
C91	ECUV0J105KBV	1	
C99	ECUE1H102KBQ	0.001	
C101	ECUE1A104KBQ	0.1	
C102	ECUE1A104KBQ	0.1	
C104	ECUE1A104KBQ	0.1	
C105	ECUV1A105ZFV	1	
C115	ECUE1H102KBQ	0.001	
C116	ECJ0EF1C104Z	0.1	
C117	ECJ0EF1C104Z	0.1	
C120	ECJ0EF1C104Z	0.1	

20.2.3. Analog Board Parts

Ref. No.	Part No.	Part Name & Description	Remarks
PCB2	PFWP2FP701CX	ANALOG BOARD ASS'Y (RTL)	
		(IC)	
IC101	COABEB000083	IC	
		(TRANSISTORS)	
Q105	B1ABDF000026	TRANSISTOR (SI)	
Q106	B1GBCFEN0010	TRANSISTOR (SI)	

Ref. No.	Part No.	Part Name & Description	Remarks
		(DIODES)	
D101	MA4120	DIODE (SI)	S
D104	MA4030	DIODE (SI)	S
D106	MA4030	DIODE (SI)	S
D111	B0ADEJ000026	DIODE (SI)	
D112	1SS133	DIODE (SI)	S
		(JACKS AND CONNECTORS)	
CN101	K1KY10BA0093	CONNECTOR	
CN103	K2LB1YYB0002	JACK/SOCKET	!
CN104	K2LB1YYB0002	JACK/SOCKET	!
CN105	K2LA1YYB0001	JACK/SOCKET	
		(SWITCH)	
SW101	PFSH1A011Z	SWITCH, HOOKLEVER	
		(COILS)	
L105	PQLQR2KA113	COIL	S
L106	PQLQR2KA113	COIL	S
L107	PQLQR2KA113	COIL	S
L108	PQLQR2KA113	COIL	S
L109	PQLQR2KA113	COIL	S
L110	PQLQR2KA113	COIL	S
L111	PQLQR2KA20T	COIL	S
L112	PQLQR2KA20T	COIL	S
L113	PQLQR2KA20T	COIL	S
L114	PQLQR2KA20T	COIL	S
R104	PQLQR2KA113	COIL	S
		(PHOTO ELECTRIC TRANSDUCERS)	
PC102	ON3181	PHOTO COUPLER	△s
		(RELAY)	
RLY101	K6B1CYY00005	RELAY	△
		(THERMISTOR)	
POS101	PFRT002	THERMISTOR	!s
		(TRANSFORMER)	
T101	G4AYA0000016	TRANSFORMER	△
		(VARISTORS)	
SA101	PFRZRA311P6T	VARISTOR	S
SA102	PFRZRA102P6T	VARISTOR	△s
		(RESISTORS)	
R101	ERJ3GEYJ103	10K	
R102	ERJ3GEYJ103	10K	
R103	ERJ3GEYJ220	22	
R106	ERJ3GEYJ393	39K	
R107	ERJ3GEYJ393	39K	
R108	ERJ3GEYJ474	470K	
R109	ERJ3GEYJ163	16K	
R110	ERJ3GEYJ163	16K	
R111	ERJ3GEY0R00	METAL FILM OXIDE RESISTOR	
R112	ERJ3GEYJ562	5.6K	
R114	ERDS2TJ271	270	S
R117	ERJ3GEYJ822	8.2K	
R118	ERJ3GEYJ273	27K	
R122	ERDS1TJ473	47K	S
R127	ERG2S1J121	120	
R128	ERJ3GEYJ223	22K	
R129	ERJ3GEYJ754	750K	
R130	ERJ3GEYJ754	750K	
R133	ERDS1TJ153	15K	S
R134	ERJ3GEYJ473	47K	
R135	ERJ3GEYJ331	330	
R138	ERJ3GEYJ912	9.1K	
R139	ERJ3GEYJ912	9.1K	
R142	ERJ3GEYJ152	1.5K	
R143	ERJ3GEYJ152	1.5K	

Ref. No.	Part No.	Part Name & Description	Remarks
R144	ERJ3GEYJ680	68	
R145	ERJ3GEYJ331	330	
		(CAPACITORS)	
C101	ECEA0JKA470	47	
C102	ECEA0JKA470	47	
C103	ECUV1E104ZJV	0.1	
C104	ECUV1H561KBV	560P	
C105	ECUV1H561KBV	560P	
C106	ECUV1H101JCV	100P	
C107	ECUV1H272KBV	0.0027	
C108	ECUV1C823KBV	0.082	
C109	ECUV1C823KBV	0.082	
C110	ECUV1H472KBV	0.0047	
C111	ECUV1C393KBV	0.039	
C113	ECEA1HKA47	4.7	
C115	ECUV1C393KBV	0.039	
C116	ECUV1C104KBV	0.1	
C120	ECUV1H181JCV	180P	
C121	ECUV1H181JCV	180P	
C124	ECUV1H472KBV	0.0047	
C126	ECUV1H101JCV	100P	
C128	ECEA0JKA470	47	
C129	ECUV1C333KBV	0.033	
C130	ECUV1C333KBV	0.033	
C131	ECUV1H103KBV	0.01	
C132	ECUV1H103KBV	0.01	
C134	ECEA0JKA470	47	
C135	ECUV1H103KBV	0.01	
C136	F0C2E105A216	PLASTIC FILM CAPACITOR	

20.2.4. Operation Board Parts

Ref. No.	Part No.	Part Name & Description	Remarks
PCB3	PFWP3FP706CN	OPERATION BOARD ASS'Y (RTL)	
		(IC)	
IC301	C1ZBZ0002089	IC	
		(LIQUID CRYSTAL DISPLAY)	
CN302	L5DAAF00001	LIQUID CRYSTAL DISPLAY	S
		(CONNECTOR)	
CN301	K1KA08B00243	CONNECTOR	
		(DIODE)	
D301	B3AAA0000534	DIODE (SI)	
		(SWITCHES)	
SW337	K0L1BB000029	SIGNAL SWITCHES ACTUATOR	
SW338	K0L1BB000030	SIGNAL SWITCHES ACTUATOR	
		(SWITCHES)	
SW301	K0H1BA000259	SPECIAL SWITCH	
SW302	K0H1BA000259	SPECIAL SWITCH	
SW303	K0H1BA000259	SPECIAL SWITCH	
SW304	K0H1BA000259	SPECIAL SWITCH	
SW305	K0H1BA000259	SPECIAL SWITCH	
SW306	K0H1BA000259	SPECIAL SWITCH	
SW307	K0H1BA000259	SPECIAL SWITCH	
SW308	K0H1BA000259	SPECIAL SWITCH	
SW309	K0H1BA000259	SPECIAL SWITCH	
SW310	K0H1BA000259	SPECIAL SWITCH	
SW311	K0H1BA000259	SPECIAL SWITCH	
SW312	K0H1BA000259	SPECIAL SWITCH	
SW313	K0H1BA000259	SPECIAL SWITCH	
SW314	K0H1BA000259	SPECIAL SWITCH	
SW315	K0H1BA000259	SPECIAL SWITCH	
SW316	K0H1BA000259	SPECIAL SWITCH	
SW317	K0H1BA000259	SPECIAL SWITCH	
SW318	K0H1BA000259	SPECIAL SWITCH	
SW319	K0H1BA000259	SPECIAL SWITCH	

Ref. No.	Part No.	Part Name & Description	Remarks
SW320	K0H1BA000259	SPECIAL SWITCH	
SW321	K0H1BA000259	SPECIAL SWITCH	
SW322	K0H1BA000259	SPECIAL SWITCH	
SW323	K0H1BA000259	SPECIAL SWITCH	
SW324	K0H1BA000259	SPECIAL SWITCH	
SW325	K0H1BA000259	SPECIAL SWITCH	
SW326	K0H1BA000259	SPECIAL SWITCH	
SW327	K0H1BA000259	SPECIAL SWITCH	
SW328	K0H1BA000259	SPECIAL SWITCH	
SW329	K0H1BA000259	SPECIAL SWITCH	
SW332	K0H1BA000259	SPECIAL SWITCH	
SW333	K0H1BA000259	SPECIAL SWITCH	
SW334	K0H1BA000259	SPECIAL SWITCH	
SW335	K0H1BA000259	SPECIAL SWITCH	
SW336	K0H1BA000259	SPECIAL SWITCH	
		(RESISTORS)	
R301	ERJ3GEYJ332	3.3K	
R302	ERJ3GEYJ271	270	
R303	ERJ3GEYJ181	180	
R304	ERJ3GEYJ680	68	
R305	ERJ3GEYJ181	180	
R306	ERJ3GEYJ181	180	
R307	ERJ3GEYJ472	4.7K	
R308	ERJ3GEY0R00	0	
R309	ERJ3GEYJ102	1K	
R310	ERJ3GEYJ183	18K	
R311	ERJ3GEYJ472	4.7K	
R312	ERJ3GEYJ122	1.2K	
R313	ERJ3GEYJ821	820	
R316	ERDS2TJ681	680	S
R317	ERJ3GEYJ472	4.7K	
R322	ERDS2TJ472	4.7K	S
R325	ERJ3GEYJ181	180	
R326	ERJ3GEY0R00	0	
R329	ERJ3GEYJ222	2.2K	
R331	ERJ3GEYJ472	4.7	
L301	ERJ3GEY0R00	0	
		(CAPACITORS)	
C301	ECUV1C104ZJV	0.1	
C302	ECUV1H331JCV	330P	
C306	ECUV1H102KBV	0.001	
C307	ECUV1H101JCV	100P	
C308	ECUV1H101JCV	100P	
C312	ECUV1H331JCV	330P	
C313	ECUV1C104ZJV	0.1	
C315	ECUV1C104ZJV	0.1	
C318	ECUV1H681JCV	680P	S
C320	ECUV1C104ZJV	0.1	

20.2.5. Power Supply Board Parts

Ref. No.	Part No.	Part Name & Description	Remarks
PCB4	N0AC2GJ00006	POWER SUPPLY BOARD ASS'Y (RTL)	△
		(ICs)	
IC101	PFVIFA5518N	IC	S
IC201	TL431CDBVR	IC	
		(TRANSISTORS)	
Q101	FQPF4N90C	TRANSISTOR (SI)	△
Q203	2SC3928	TRANSISTOR (SI)	
		(DIODES)	
D101	PFVD1N4005	DIODE (SI)	s△
D102	PFVD1N4005	DIODE (SI)	s△
D103	PFVD1N4005	DIODE (SI)	s△
D104	PFVD1N4005	DIODE (SI)	s△

Ref. No.	Part No.	Part Name & Description	Remarks
D105	PQVDFR1007	DIODE (SI)	S
D106	PFVDD1NL20U	DIODE (SI)	S
D107	MA165	DIODE (SI)	S
D110	PFVD1N4005	DIODE (SI)	S△
D201	SF50DG	DIODE (SI)	
D202	PFVDD1NL20U	DIODE (SI)	S
D205	MTZJ6R2B	DIODE (SI)	S
		(CONNECTOR)	
CN202	2921618	CONNECTOR, 8 PIN	S△
		(COIL)	
L101	ELF15N004A	COIL	△
		(COMPONENTS PARTS)	
L102	EXCELDR35	COMPONENTS PARTS	
		(FUSE)	
F101	PFBAST250315	FUSE	S△
		PHOTO ELECTRIC TRANSDUCER	
PC101	PFVIPC123	PHOTO COUPLER	S△
		(TRANSFORMER)	
T101	A044A2801	TRANSFORMER	S△
		(VARIABLE RESISTOR)	
VR201	EVNCYAA03B53	VARIABLE RESISTOR	S
		(VARISTOR)	
ZNR101	ERZV10D751	VARISTOR	△
		(RESISTORS)	
JP201	ERJ3GEY0R00	0	
JP211	ERJ3GEY0R00	0	
R101	ERJ8GEYJ105	1M	
R102	ERJ8GEYJ105	1M	
R103	ERJ8GEYJ105	1M	
R104	ERJ3GEYJ473	47k	
R105	ERX2SJR22E	0.22	
R106	ERG2SJ104	100k	
R107	ERG2SJ470	47	
R110	ERDS2TJ470	47	
R111	ERDS2TJ150	15	
R112	ERJ3GEYJ101	100	
R113	ERJ3GEYJ103	10k	
R122	ERJ3GEYJ391	390	
R123	ERJ3GEYJ182	1.8k	
R201	ERDS2TJ470	47	
R202	ERJ3GEYJ223	22k	
R221	ERJ3GEYJ102	1k	
R222	ERJ3GEYJ102	1k	
R223	ERJ3GEYJ102	1k	
R224	ERJ3GEYJ562	5.6k	
R225	ERJ3GEYJ332	3.3k	
R229	ERJ3GEYJ183	18k	
R230	ERG2SJ151	150	
R231	ERG2SJ151	150	
R232	ERJ3GENF153	15k	
R233	ERJ3GENF473	47k	
R234	ERJ3GENF473	47k	
		(CAPACITORS)	
C101	ECQU2A104MLA	0.1	△
C102	ECQU2A104MLA	0.1	△
C103	DE1E102MN4AL	0.001	S△
C105	DE1E102MN4AL	0.001	S△
C106	EEUGH2W470U	47	
C108	PFKDD3AD102K	0.001	S
C109	PFKDD3DD470J	47p	S
C110	DE1E102MN4AL	0.001	S△
C111	35YXA47M71TA	47	S
C121	ECJ1VB1H472K	0.0047	

Ref. No.	Part No.	Part Name & Description	Remarks
C122	ECJ1VB1A224K	0.22	
C123	ECJ1VB1H104K	0.1	
C124	ECJ1VB1H103K	0.01	
C201	KY35VB470M	470	
C205	ECJ1VB1E104K	0.1	
C211	KY10VB470M	470	
C212	PFKDD3AD102K	0.001	S
C213	ECJ1VB1E104K	0.1	
C215	PFKDD3AD102K	0.001	S
C217	KY25VB100M	100	
C218	ECJ1VB1H104K	0.1	

20.2.6. Interface Board Parts

Ref. No.	Part No.	Part Name & Description	Remarks
PCB5	FFLP1915CX-B	INTERFACE BOARD ASS'Y (RTL)	
		(TRANSISTORS)	
IC401	B1HAGFF00015	TRANSISTOR (SI)	
IC402	B1HAGFF00015	TRANSISTOR (SI)	
IC403	B1CHRD000003	TRANSISTOR (SI)	
Q401	2SB1322	TRANSISTOR (SI)	S
Q402	2SB1322	TRANSISTOR (SI)	S
		(DIODES)	
D401	1SS133	DIODE (SI)	S
D403	B0BA7R900004	DIODE (SI)	
D404	B0BA7R900004	DIODE (SI)	
D405	B0BA7R900004	DIODE (SI)	
D406	B0BA7R900004	DIODE (SI)	
D407	1SS133	DIODE (SI)	S
		(BATTERY)	
BAT401	CR2032/H9B	LITHIUM BATTERY	
		(PHOTO ELECTRIC TRANSDUCER)	
PS401	CNA1006N	POSISTOR	
		(CONNECTORS)	
CN401	K1KA08A00440	CONNECTOR, 8 PIN	
CN402	K1KA05AA0193	CONNECTOR, 5 PIN	
CN403	K1KA05AA0223	CONNECTOR, 5 PIN	
CN404	K1KA08A00498	CONNECTOR, 8 PIN	
CN405	K1KA03A00495	CONNECTOR, 3 PIN	
CN406	K1KA11A00158	CONNECTOR, 11 PIN	
CN407	K1KA18A00101	CONNECTOR, 18 PIN	
CN408	K1KA18A00101	CONNECTOR, 18 PIN	
		(FUSES)	
F401	K5H122200005	FUSE	
F402	K5H122200005	FUSE	
		(RESISTORS)	
R401	ERDS1TJ101	100	S
R403	ERJ3GEYJ562	5.6K	
R404	ERJ3GEYJ821	820	
R405	ERJ3GEYJ821	820	
R406	ERDS1TJ152	1.5K	
R407	ERDS1TJ152	1.5K	
R408	ERJ3GEYJ222	2.2K	
R409	ERJ3GEYJ101	100	
R410	ERDS2TJ181	180	S
		(CAPACITORS)	
C401	ECUV1H104ZFV	0.1	
C404	ECUV1H104ZFV	0.1	
C405	ECEA1VKA330	33	
C406	ECEA1CKA221	220	S

20.2.7. Sensor Board Parts

Ref. No.	Part No.	Part Name & Description	Remarks
PCB6	PFWP4FP706CN	SENSOR BOARD ASS'Y (RTL)	
SW501	KOMA11000041	SIGNAL SWITCH	
SW502	PFSH1A011Z	SWITCH HOOK LEVER	

20.2.8. Service Fixtures & Tools

Ref. No.	Part No.	Part Name & Description	Remarks
EC1	PQZZ7K11Z	EXTENSION CORD, 7 PIN	
EC2	PQZZ2K12Z	EXTENSION CORD, 2 PIN	
EC3	PQZZ8K15Z	EXTENSION CORD, 8 PIN	
EC4	PFZZ11K13Z	EXTENSION CORD, 11 PIN	
EC5	PFZZ5K13Z	EXTENSION CORD, 5 PIN	
EC6	PFZZ5K13Z	EXTENSION CORD, 5 PIN	
EC7	PQZZ3K12Z	EXTENSION CORD, 3 PIN	
EC8	PQZZ8K15Z	EXTENSION CORD, 8 PIN	
	KM79811245C0	BASIC FACSIMILE TECHNIQUE (for training service technicians)	

Note:

Tools and Extension Cords are useful for servicing.
(They make servicing easy.)